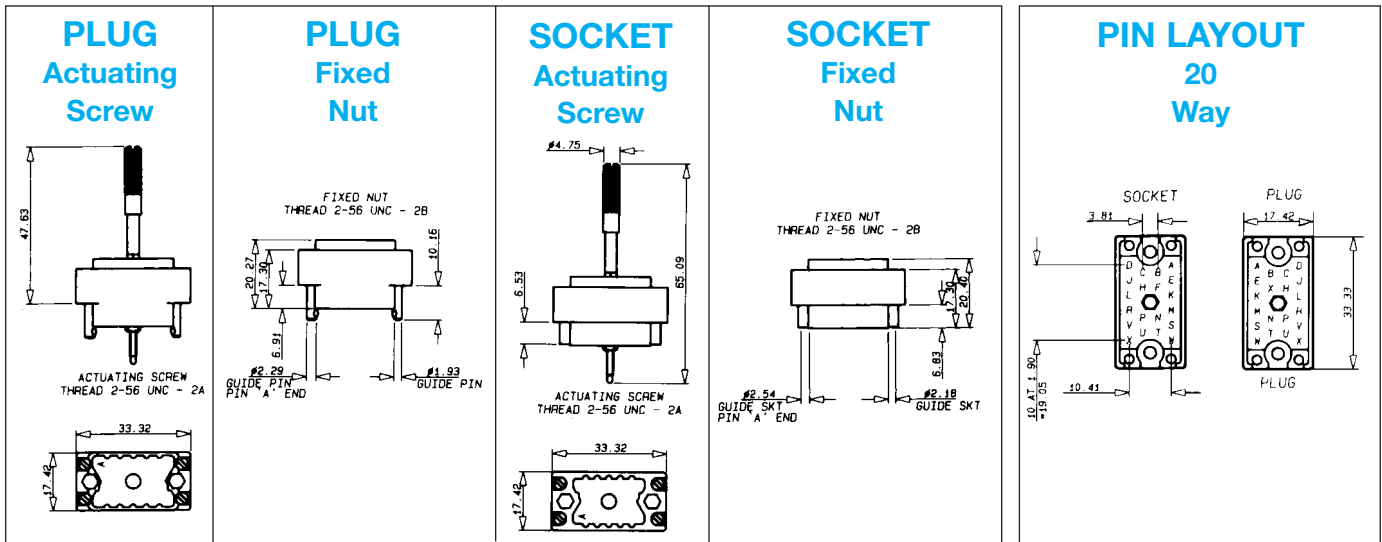


## Series 8016 – Rectangular Connector – 20 Way



### ORDERING CODE



**Contact Termination**

\*000 = Contacts not fitted and ordered separately, see page 22 for full list of options

- 217 = Solder 0.098" x 2.49mm
- 218 = Wire Wrap –   
0.025 x 0.050 x 0.567" / 0.64 x 1.27 x 14.4mm
- 296 = Wire Wrap –   
0.025 x 0.026 x 0.579" / 0.64 x 1.27 x 19.3mm
- 504 = Solder Tail –
- 750 = Wire Wrap –   
0.025 x 0.050 x 0.760" / 0.64 x 1.27 x 19.3mm

\*Crimp contacts always ordered separately. See page 22 for details.

### CONNECTOR PLUG AND RECEPTACLE COMBINATIONS

Plug	Receptacle	007/507/607	008/508/608	909/509/609	910/510/610	911/511/611	912/512/612				
		001/501/601	<input type="checkbox"/>	<input type="checkbox"/>	<input type="checkbox"/>	<input type="checkbox"/>	<input type="checkbox"/>	<input type="checkbox"/>	<input type="checkbox"/>	<input type="checkbox"/>	<input type="checkbox"/>
002/502/602	<input type="checkbox"/>	<input type="checkbox"/>	<input type="checkbox"/>	<input type="checkbox"/>	<input type="checkbox"/>	<input type="checkbox"/>	<input type="checkbox"/>	<input type="checkbox"/>	<input type="checkbox"/>	<input type="checkbox"/>	<input type="checkbox"/>
903/503/603	<input type="checkbox"/>	<input type="checkbox"/>	<input type="checkbox"/>	<input type="checkbox"/>	<input type="checkbox"/>	<input type="checkbox"/>	<input type="checkbox"/>	<input type="checkbox"/>	<input type="checkbox"/>	<input type="checkbox"/>	<input type="checkbox"/>
904/504/604	<input type="checkbox"/>	<input type="checkbox"/>	<input type="checkbox"/>	<input type="checkbox"/>	<input type="checkbox"/>	<input type="checkbox"/>	<input type="checkbox"/>	<input type="checkbox"/>	<input type="checkbox"/>	<input type="checkbox"/>	<input type="checkbox"/>
905/505/605	<input type="checkbox"/>	<input type="checkbox"/>	<input type="checkbox"/>	<input type="checkbox"/>	<input type="checkbox"/>	<input type="checkbox"/>	<input type="checkbox"/>	<input type="checkbox"/>	<input type="checkbox"/>	<input type="checkbox"/>	<input type="checkbox"/>
906/506/606	<input type="checkbox"/>	<input type="checkbox"/>	<input type="checkbox"/>	<input type="checkbox"/>	<input type="checkbox"/>	<input type="checkbox"/>	<input type="checkbox"/>	<input type="checkbox"/>	<input type="checkbox"/>	<input type="checkbox"/>	<input type="checkbox"/>

Select variation code combinations marked with square in the table.

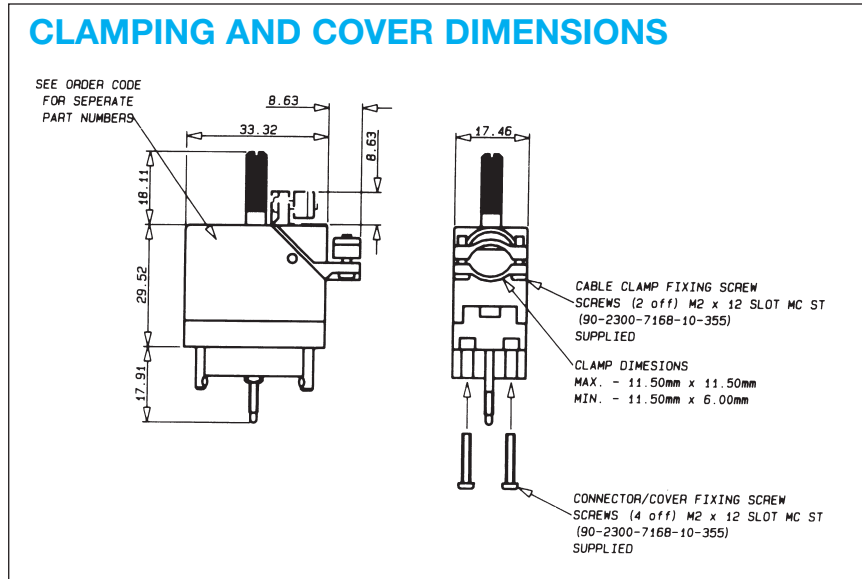
### VARIATION CODE

Insulator Body Type	European Version		USA Versions				Cover and Cable Entrance	Actuating Screw	Fixed Nut
	Grey Polyester		Grey Polyester		Green Polyester				
	Aluminum Cover	No Cover	Cover	No Cover	Cover	No Cover			
Male (Exposed Contacts)	—	001	—	501	—	601	None	Yes	No
	903	002	—	502	—	602	None	No	Yes
	904	—	503	—	603	—	Top*	Yes	No
	905	—	504	—	604	—	Side*	Yes	No
	906	—	505	—	605	—	Top*	No	Yes
Female (Recessed Contacts)	—	007	—	507	—	607	None	No	Yes
	909	008	—	508	—	608	None	Yes	No
	910	—	509	—	609	—	Top*	Yes	No
	911	—	510	—	610	—	Side*	Yes	No
	912	—	511	—	611	—	Top*	No	Yes
	—	—	512	—	612	—	Side*	No	Yes

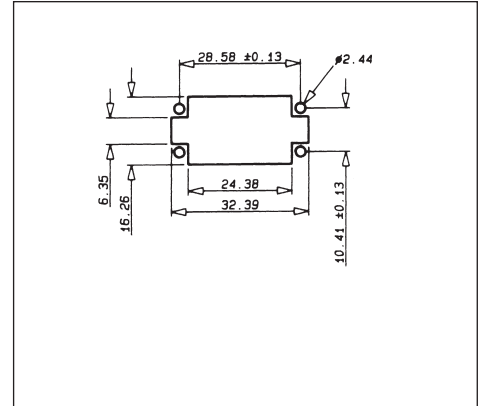
\*These covers should only be used with crimp contacts.

## Series 8016 – Rectangular Connector – 20 Way

### CLAMPING AND COVER DIMENSIONS

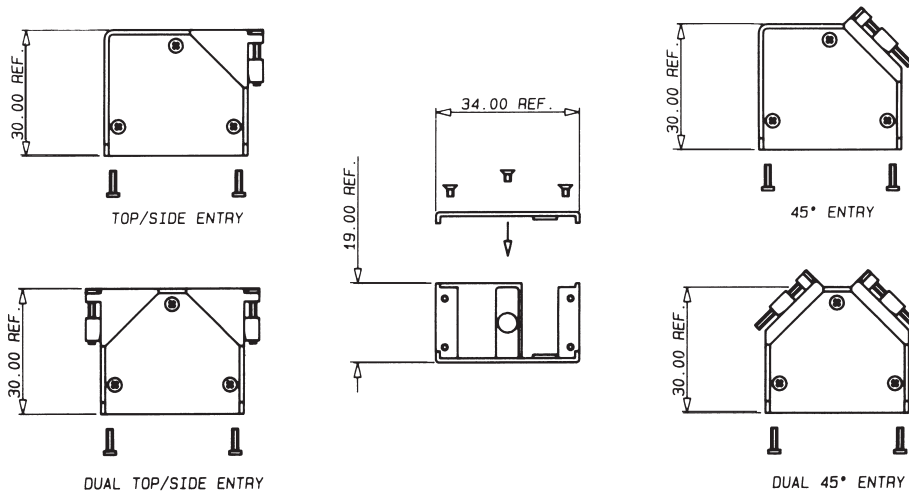


### RECOMMENDED LAYOUT FOR FRONT CHASSIS MOUNTING



### STANDARD COVERS

Cover Part Number		Number of Contacts	Cable Entrance	Clamp	
European Version	USA Version			Description	Size mm (inches)
30-8016-9829-20-000	30-8016-9829-00-0000	20	Side	Standard	11.53 (0.454) Dia.
30-8016-9831-20-000	30-8016-9831-00-0000	20	Top	Standard	11.53 (0.454) Dia.

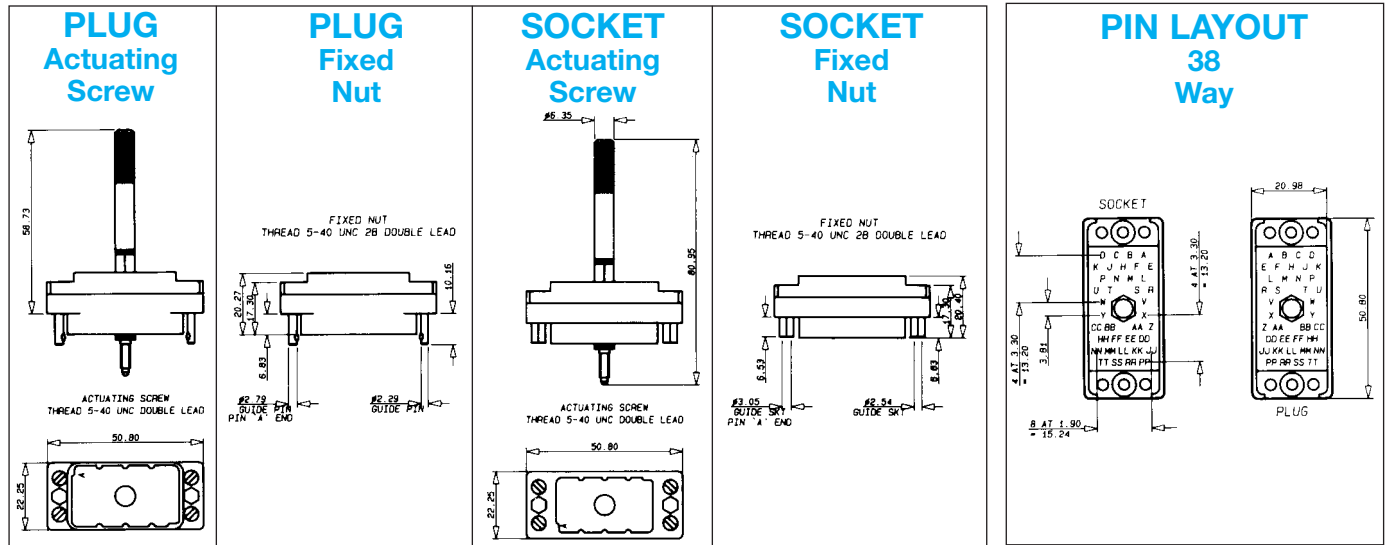


### REMOVABLE SIDE PLATE COVERS

millimeters (inches)

Cover Part Number	Number of Contacts	Cable Entrance	Description	Clamp	
				Minimum Size	Maximum Size
30-8016-020-000-413	20	Side/Top	Standard	5 x 10 (0.197 x 0.394)	10 x 10 (0.394 x 0.394)
30-8016-020-000-415	20	45°	Standard	5 x 10 (0.197 x 0.394)	10 x 10 (0.394 x 0.394)
30-8016-020-000-423	20	Dual 90° Side/Top	Special	2 - 5 x 10 (0.197 x 0.394)	2 - 10 x 10 (0.394 x 0.394)
30-8016-020-000-425	20	Dual 45° Entry	Special	2 - 5 x 10 (0.197 x 0.394)	2 - 10 x 10 (0.394 x 0.394)

## Series 8016 – Rectangular Connector – 38 Way



### ORDERING CODE



**Contact Termination**

\*000 = Contacts not fitted and ordered separately, see page 22 for full list of options

217 = Solder 0.098" x 2.49mm

218 = Wire Wrap – 0.025 x 0.050 x 0.567" / 0.64 x 1.27 x 14.4mm

296 = Wire Wrap – 0.025 x 0.026 x 0.579" / 0.64 x 1.27 x 19.3mm

504 = Solder Tail –

750 = Wire Wrap – 0.025 x 0.050 x 0.760" / 0.64 x 1.27 x 19.3mm

\*Crimp contacts always ordered separately. See page 22 for details.

### CONNECTOR PLUG AND RECEPTACLE COMBINATIONS

Plug	Receptacle													
	007/507/607	008/508/608	909/509/609	910/510/610	911/511/611	912/512/612	923/523/623	924/524/624	925/525/625	926/526/626	935/535/635	936/536/636	937/537/637	938/538/638
001/501/601														
002/502/602														
903/503/603														
904/504/604														
905/505/605														
906/506/606														
919/519/619														
920/520/620														
921/521/621														
922/522/622														
931/531/631														
932/532/632														
933/533/633														
934/534/634														

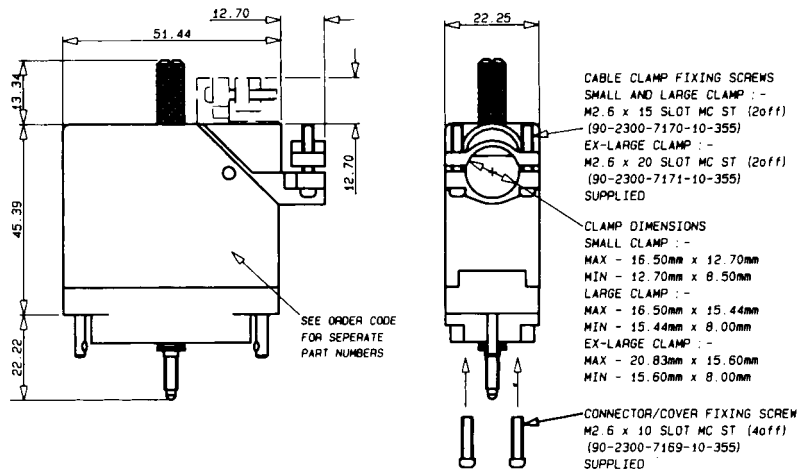
Select variation code combinations marked with square in the table.

### VARIATION CODE

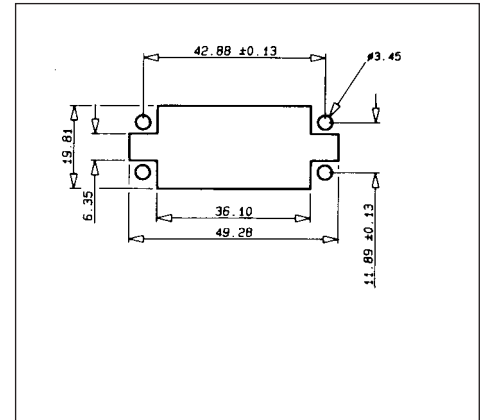
Insulator Body Type	European Version				USA ONLY Versions								Cover & Cable Entrance	Actuating Screw	Fixed Nut
	Grey Polyester				Grey Polyester				Green Polyester						
	Aluminum Cover			No Cover	Aluminum Cover			No Cover	Aluminum Cover			No Cover			
Male (Exposed Contacts)	Std. Clamp	Large Clamp	Ex-Large Clamp	001	Std. Clamp	Large Clamp	Ex-Large Clamp	501	Std. Clamp	Large Clamp	Ex-Large Clamp	601	None	Yes	No
	—	—	—	002	—	—	—	502	—	—	—	602			
	903	919	931	—	503	519	531	—	603	619	631	—			
	904	920	932	—	504	520	532	—	604	620	632	—			
	905	921	933	—	505	521	533	—	605	621	633	—			
	906	922	934	—	506	522	534	—	606	622	634	—			
Female (Recessed Contacts)	—	—	—	007	—	—	—	507	—	—	—	607	None	No	Yes
	—	—	—	008	—	—	—	508	—	—	—	608			
	909	923	935	—	509	523	535	—	609	623	635	—			
	910	924	936	—	510	524	536	—	610	624	636	—			
	911	925	937	—	511	525	537	—	611	625	637	—			
	912	926	938	—	512	526	538	—	612	626	638	—			

## Series 8016 – Rectangular Connector – 38 Way

### CLAMPING AND COVER DIMENSIONS



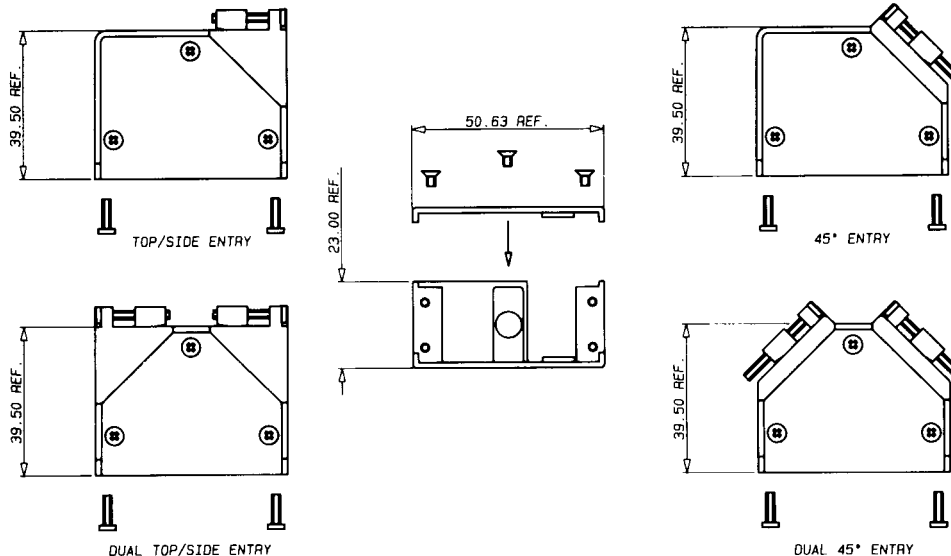
### RECOMMENDED LAYOUT FOR FRONT CHASSIS MOUNTING



### STANDARD COVERS

European Version	Cover Part Number	USA Version	Number of Contacts	Cable Entrance	Clamp	
					Description	Size mm (inches)
	30-8016-9821-20-000	30-8016-9821-00-0000	38	Side	Standard	16.51 X 12.70 (0.650 x 0.500)
	30-8016-9822-20-000	30-8016-9822-00-0000	38	Top	Standard	16.51 X 12.70 (0.650 x 0.500)
	30-8016-9825-20-000	30-8016-9825-00-0000	38	Side	Large	16.51 X 15.44 (0.650 x 0.608)
	30-8016-9826-20-000	30-8016-9826-00-0000	38	Top	Large	16.51 X 15.44 (0.650 x 0.608)
	30-8016-9838-20-000	30-8016-9838-00-0000	38	Side	Extra-Large	20.83 X 15.60 (0.820 x 0.614)
	30-8016-9839-20-000	30-8016-9839-00-0000	38	Top	Extra-Large	20.83 X 15.60 (0.820 x 0.614)

### OPTIONAL REMOVABLE SIDE PLATE COVER

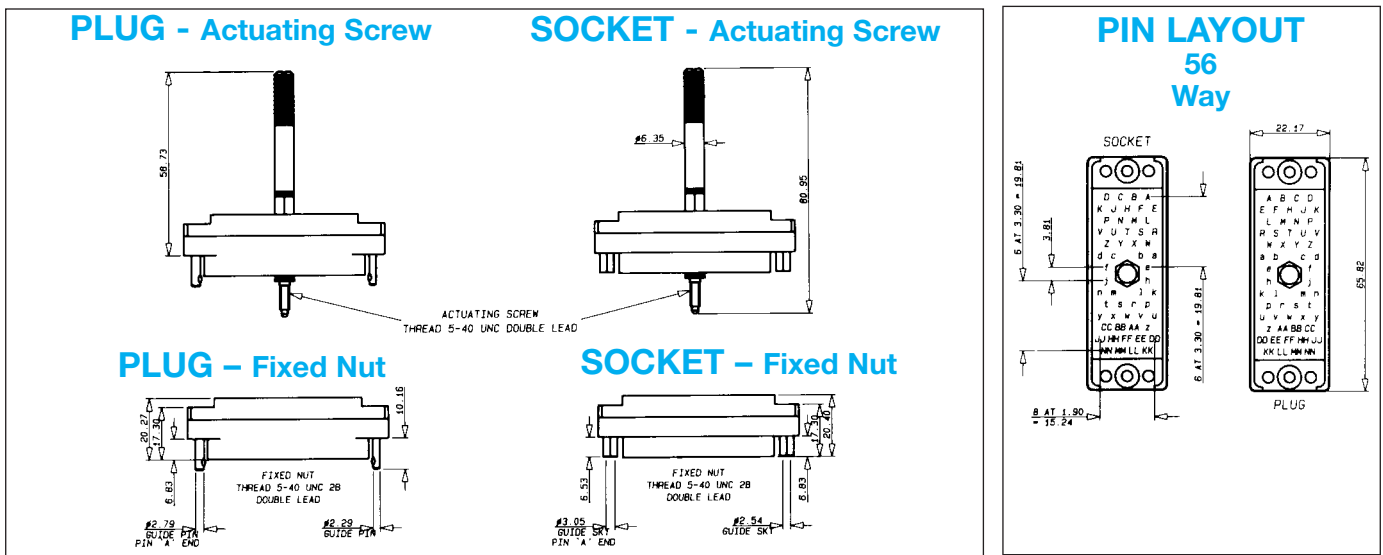


### REMOVABLE SIDE PLATE COVERS

millimeters (inches)

Cover Part Number	Number of Contacts	Cable Entrance	Description	Clamp	
				Minimum Size	Maximum Size
30-8016-038-000-413	38	Side/Top	Standard	6 x 14 (0.236 x 0.551)	17 x 14 (0.669 x 0.551)
30-8016-038-000-415	38	45°	Standard	6 x 14 (0.236 x 0.551)	17 x 14 (0.669 x 0.551)
30-8016-038-000-423	38	Dual 90° Side/Top	Special	2 - 6 x 14 (0.236 x 0.551)	2 - 17 x 14 (0.669 x 0.551)
30-8016-038-000-425	38	Dual 45° Entry	Special	2 - 6 x 14 (0.236 x 0.551)	2 - 17 x 14 (0.669 x 0.551)

## Series 8016 – Rectangular Connector – 56 Way



### ORDERING CODE



**Contact Termination**

\*000 = Contacts not fitted and ordered separately, see page 22 for full list of options

217 = Solder 0.098" x 2.49mm

218 = Wire Wrap –   
0.025 x 0.050 x 0.567" / 0.64 x 1.27 x 14.4mm

296 = Wire Wrap –   
0.025 x 0.026 x 0.579" / 0.64 x 1.27 x 19.3mm

504 = Solder Tail –

750 = Wire Wrap –   
0.025 x 0.050 x 0.760" / 0.64 x 1.27 x 19.3mm

\*Crimp contacts always ordered separately. See page 22 for details.

### CONNECTOR PLUG AND RECEPTACLE COMBINATIONS

Plug	Receptacle													
	007/507/607	008/508/608	909/509/609	910/510/610	911/511/611	912/512/612	923/523/623	924/524/624	925/525/625	926/526/626	935/535/635	936/536/636	937/537/637	938/538/638
001/501/601														
002/502/602														
903/503/603														
904/504/604														
905/505/605														
906/506/606														
919/519/619														
920/520/620														
921/521/621														
922/522/622														
931/531/631														
932/532/632														
933/533/633														
934/534/634														

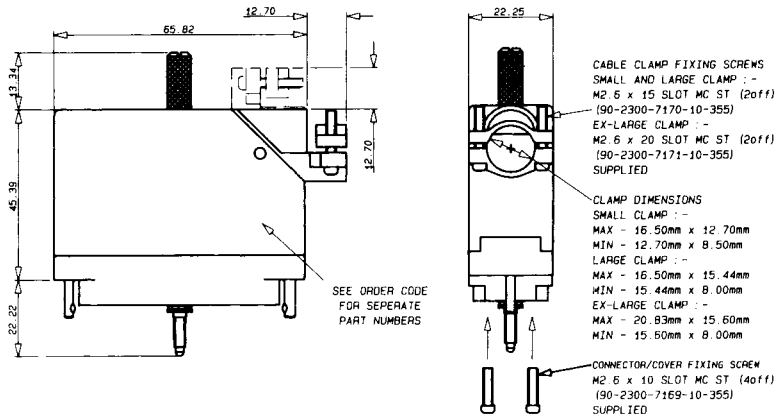
Select variation code combinations marked with square in the table.

### VARIATION CODE

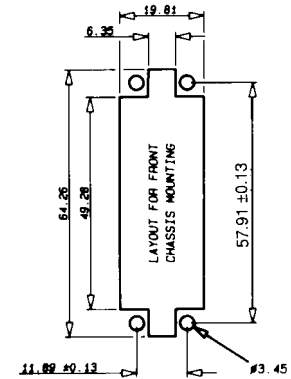
Insulator Body Type	European Version				USA ONLY Versions								Cover & Cable Entrance	Actuating Screw	Fixed Nut
	Grey Polyester				Grey Polyester				Green Polyester						
	Aluminum Cover			No Cover	Aluminum Cover			No Cover	Aluminum Cover			No Cover			
	Std. Clamp	Large Clamp	Ex-Large Clamp		Std. Clamp	Large Clamp	Ex-Large Clamp		Std. Clamp	Large Clamp	Ex-Large Clamp				
Male (Exposed Contacts)	—	—	—	001	—	—	—	501	—	—	—	601	None	Yes	No
	—	—	—	002	—	—	—	502	—	—	—	602	None	No	Yes
	903	919	931	—	503	519	531	—	603	619	631	—	Top	Yes	No
	904	920	932	—	504	520	532	—	604	620	632	—	Side	Yes	No
	905	921	933	—	505	521	533	—	605	621	633	—	Top	No	Yes
	906	922	934	—	506	522	534	—	606	622	634	—	Side	No	Yes
Female (Recessed Contacts)	—	—	—	007	—	—	—	507	—	—	—	607	None	No	Yes
	—	—	—	008	—	—	—	508	—	—	—	608	None	Yes	No
	909	923	935	—	509	523	535	—	609	623	635	—	Top	Yes	No
	910	924	936	—	510	524	536	—	610	624	636	—	Side	Yes	No
	911	925	937	—	511	525	537	—	611	625	637	—	Top	No	Yes
	912	926	938	—	512	526	538	—	612	626	638	—	Side	No	Yes

## Series 8016 – Rectangular Connector – 56 Way

### CLAMPING AND COVER DIMENSIONS



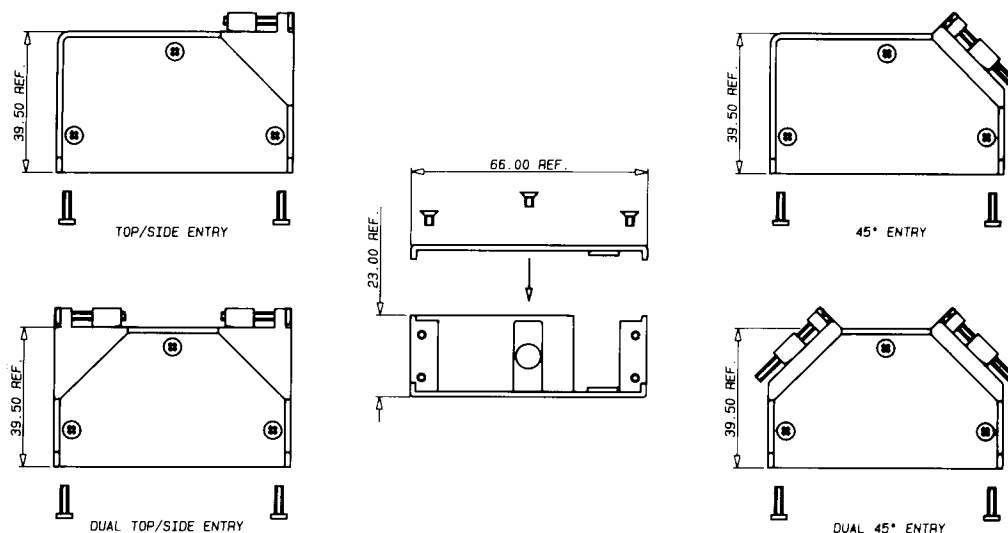
### RECOMMENDED LAYOUT FOR FRONT CHASSIS MOUNTING



### STANDARD COVERS

European Version	Cover Part Number	USA Version	Number of Contacts	Cable Entrance	Clamp	
					Description	Size mm (inches)
	30-8016-9823-20-000	30-8016-9823-00-0000	56	Side	Standard	16.51 X 12.70 (0.650 x 0.500)
	30-8016-9824-20-000	30-8016-9824-00-0000	56	Top	Standard	16.51 X 12.70 (0.650 x 0.500)
	30-8016-9827-20-000	30-8016-9827-00-0000	56	Side	Large	16.51 X 15.44 (0.650 x 0.608)
	30-8016-9828-20-000	30-8016-9828-00-0000	56	Top	Large	16.51 X 15.44 (0.650 x 0.608)
	30-8016-9840-20-000	30-8016-9840-00-0000	56	Side	Extra-Large	20.83 X 15.60 (0.820 x 0.614)
	30-8016-9842-20-000	30-8016-9842-00-0000	56	Top	Extra-Large	20.83 X 15.60 (0.820 x 0.614)

### OPTIONAL REMOVABLE SIDE PLATE COVER

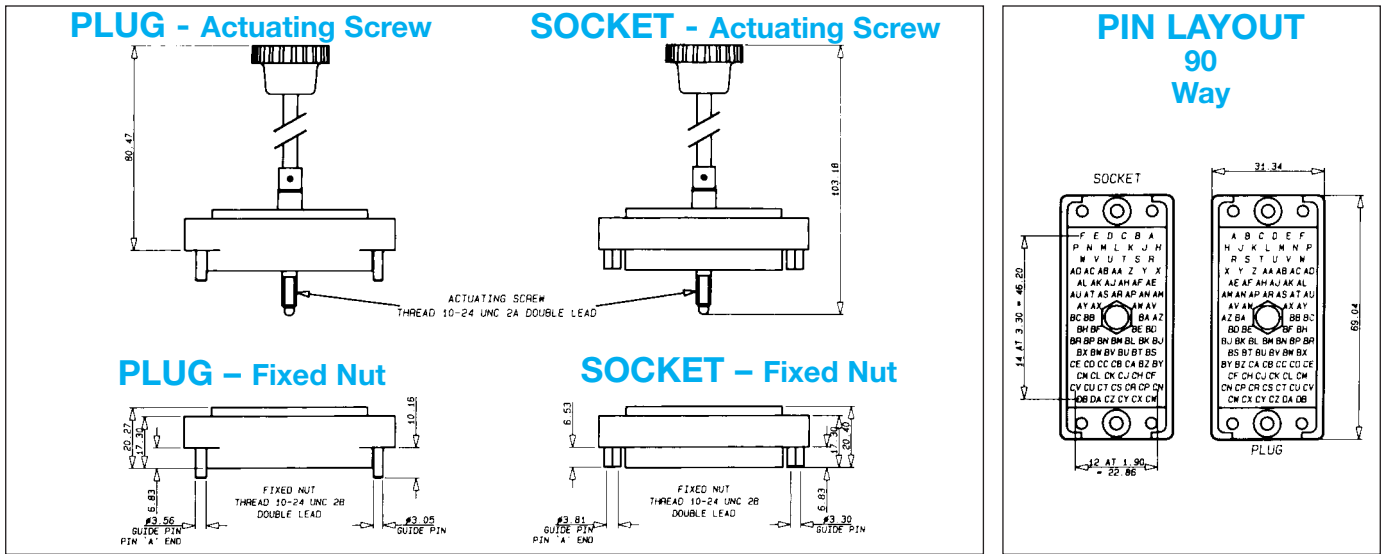


### REMOVABLE SIDE PLATE COVERS

millimeters (inches)

Cover Part Number	Number of Contacts	Cable Entrance	Description	Clamp	
				Minimum Size	Maximum Size
30-8016-056-000-413	56	Side/Top	Standard	6 x 14 (0.236 x 0.551)	17 x 14 (0.669 x 0.551)
30-8016-056-000-415	56	45°	Standard	6 x 14 (0.236 x 0.551)	17 x 14 (0.669 x 0.551)
30-8016-056-000-423	56	Dual 90° Side/Top	Special	2 - 6 x 14 (0.236 x 0.551)	2 - 17 x 14 (0.669 x 0.551)
30-8016-056-000-425	56	Dual 45° Entry	Special	2 - 6 x 14 (0.236 x 0.551)	2 - 17 x 14 (0.669 x 0.551)

## Series 8016 – Rectangular Connector – 90 Way



### ORDERING CODE



**Contact Termination**

\*000 = Contacts not fitted and ordered separately, see page 22 for full list of options

217 = Solder 0.098" x 2.49mm

218 = Wire Wrap – 0.025 x 0.050 x 0.567" / 0.64 x 1.27 x 14.4mm

296 = Wire Wrap – 0.025 x 0.026 x 0.579" / 0.64 x 1.27 x 19.3mm

504 = Solder Tail –

750 = Wire Wrap – 0.025 x 0.050 x 0.760" / 0.64 x 1.27 x 19.3mm

\*Crimp contacts always ordered separately. See page 22 for details.

### CONNECTOR PLUG AND RECEPTACLE COMBINATIONS

Plug	Receptacle									
	007/507/607	008/508/608	909/509/609	910/510/610	911/511/611	912/512/612	935/535/635	936/536/636	937/537/637	938/538/638
001/501/601										
002/502/602										
903/503/603										
904/504/604										
905/505/605										
906/506/606										
931/531/631										
932/532/632										
933/533/633										
934/534/634										

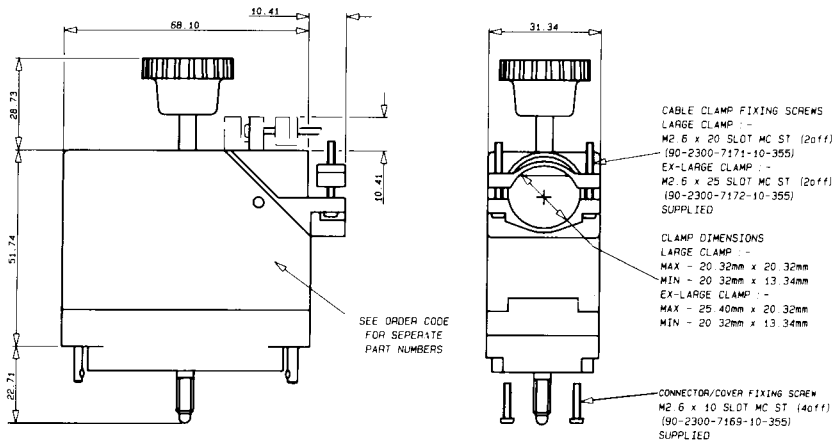
Select variation code combinations marked with square in the table.

### VARIATION CODE

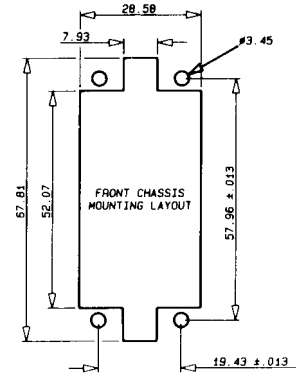
Insulator Body Type	European Version			USA ONLY Versions						Cover & Cable Entrance	Actuating Screw	Fixed Nut
	Grey Polyester			Green Polyester			Green Polyester					
	Large Clamp	Ex-Large Clamp	Cover	Large Clamp	Ex-Large Clamp	Cover	Large Clamp	Ex-Large Clamp	Cover			
Male (Exposed Contacts)	—	—	001	—	—	501	—	—	601	None	Yes	No
	—	—	002	—	—	502	—	—	602	None	No	Yes
	903	931	—	503	531	—	603	631	—	Top	Yes	No
	904	932	—	504	532	—	604	632	—	Side	Yes	No
	905	933	—	505	533	—	605	633	—	Top	No	Yes
	906	934	—	506	534	—	606	634	—	Side	No	Yes
Female (Recessed Contacts)	—	—	007	—	—	507	—	—	607	None	No	Yes
	—	—	008	—	—	508	—	—	608	None	Yes	No
	909	935	—	509	535	—	609	635	—	Top	Yes	No
	910	936	—	510	536	—	610	636	—	Side	Yes	No
	911	937	—	511	537	—	611	637	—	Top	No	Yes
	912	938	—	512	538	—	612	638	—	Side	No	Yes

## Series 8016 – Rectangular Connector – 90 Way

### CLAMPING AND COVER DIMENSIONS



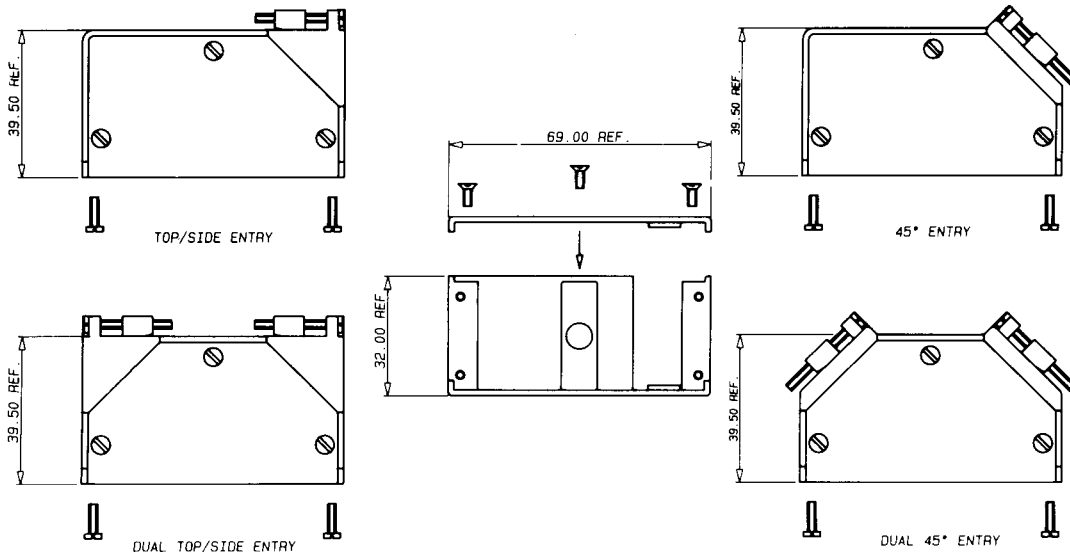
### RECOMMENDED LAYOUT FOR FRONT CHASSIS MOUNTING



### STANDARD COVERS

Cover Part Number		Number of Contacts	Cable Entrance	Clamp	
European Version	USA Version			Description	Size mm (inches)
30-8016-9832-20-000	30-8016-9832-00-0000	90	Side	Large	20.32 (0.800) Dia.
30-8016-9833-20-000	30-8016-9833-00-0000	90	Top	Large	20.32 (0.800) Dia.
30-8016-9843-20-000	30-8016-9843-00-0000	90	Side	Extra-Large	25.40 x 20.32 (1.00 x 0.008)
30-8016-9844-20-000	30-8016-9844-00-0000	90	Top	Extra-Large	25.40 x 20.32 (1.00 x 0.008)

### OPTIONAL REMOVABLE SIDE PLATE COVER

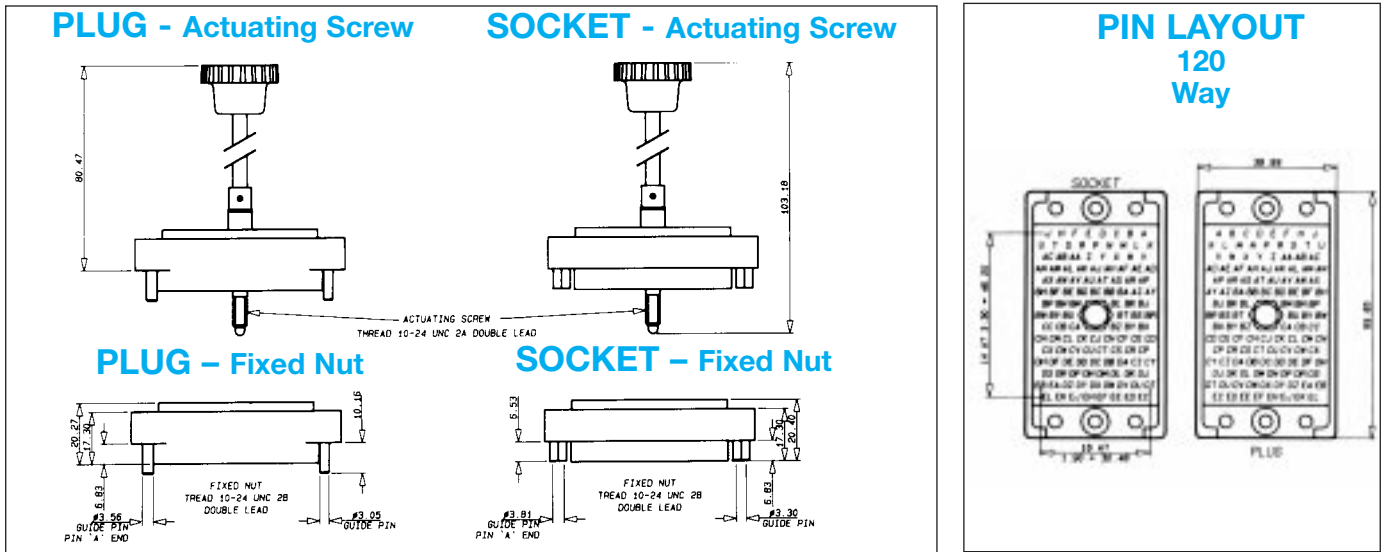


### REMOVABLE SIDE PLATE COVERS

millimeters (inches)

Cover Part Number	Number of Contacts	Cable Entrance	Description	Clamp	
				Minimum Size	Maximum Size
30-8016-090-000-413	90	Side/Top	Standard	7 x 21 (0.276)	21 x 21 (0.827 x 0.827)
30-8016-090-000-415	90	45°	Standard	7 x 21 (0.276)	21 x 21 (0.827 x 0.827)
30-8016-090-000-423	90	Dual 90° Side/Top	Special	2 - 7 x 21 (0.276)	2 - 21 x 21 (0.827 x 0.827)
30-8016-090-000-425	90	Dual 45° Entry	Special	2 - 7 x 21 (0.276)	2 - 21 x 21 (0.827 x 0.827)

## Series 8016 – Rectangular Connector – 120 Way



### ORDERING CODE



**Contact Termination**

\*000 = Contacts not fitted and ordered separately, see page 22 for full list of options

217 = Solder 0.098" x 2.49mm

218 = Wire Wrap –   
0.025 x 0.050 x 0.567" / 0.64 x 1.27 x 14.4mm

296 = Wire Wrap –   
0.025 x 0.026 x 0.579" / 0.64 x 1.27 x 19.3mm

504 = Solder Tail –

750 = Wire Wrap –   
0.025 x 0.050 x 0.760" / 0.64 x 1.27 x 19.3mm

\*Crimp contacts always ordered separately. See page 22 for details.

### CONNECTOR PLUG AND RECEPTACLE COMBINATIONS

Plug	Receptacle											
	007/507/607	008/508/608	909/509/609	910/510/610	911/511/611	912/512/612	935/535/635	936/536/636	937/537/637	938/538/638		
001/501/601												
002/502/602												
903/503/603												
904/504/604												
905/505/605												
906/506/606												
931/531/631												
932/532/632												
933/533/633												
934/534/634												

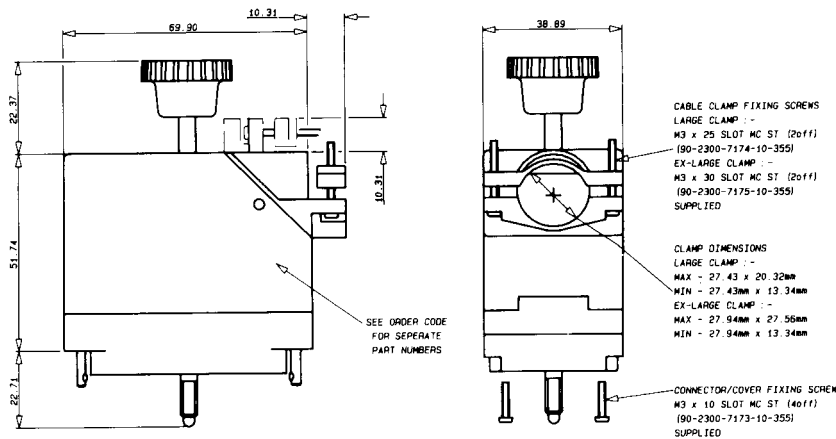
Select variation code combinations marked with square in the table.

### VARIATION CODE

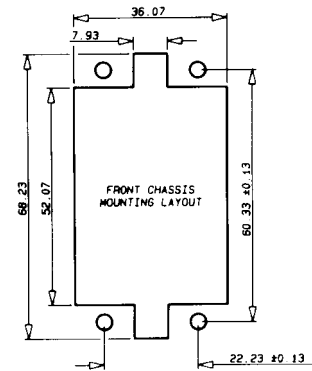
Insulator Body Type	European Version			USA ONLY Versions						Cover & Cable Entrance	Actuating Screw	Fixed Nut
	Grey Polyester			Grey Polyester			Green Polyester					
	Large Clamp	Ex-Large Clamp	Cover	Large Clamp	Ex-Large Clamp	Cover	Large Clamp	Ex-Large Clamp	Cover			
Male (Exposed Contacts)	—	—	001	—	—	501	—	—	601	None	Yes	No
	—	—	002	—	—	502	—	—	602	None	No	Yes
	903	931	—	503	531	—	603	631	—	Top	Yes	No
	904	932	—	504	532	—	604	632	—	Side	Yes	No
	905	933	—	505	533	—	605	633	—	Top	No	Yes
	906	934	—	506	534	—	606	634	—	Side	No	Yes
Female (Recessed Contacts)	—	—	007	—	—	507	—	—	607	None	No	Yes
	—	—	008	—	—	508	—	—	608	None	No	No
	909	935	—	509	535	—	609	635	—	Top	Yes	No
	910	936	—	510	536	—	610	636	—	Side	Yes	No
	911	937	—	511	537	—	611	637	—	Top	No	Yes
	912	938	—	512	538	—	612	638	—	Side	No	Yes

## Series 8016 – Rectangular Connector – 120 Way

### CLAMPING AND COVER DIMENSIONS



### RECOMMENDED LAYOUT FOR FRONT CHASSIS MOUNTING



### STANDARD COVERS

Cover Part Number		Number of Contacts	Cable Entrance	Clamp	
European Version	USA Version			Description	Size mm (inches)
30-8016-9834-20-000	30-8016-9834-00-0000	120	Side	Large	20.32 x 27.43 (0.800 x 1.080)
30-8016-9835-20-000	30-8016-9835-00-0000	120	Top	Large	20.32 x 27.43 (0.800 x 1.080)
30-8016-9845-20-000	30-8016-9845-00-0000	120	Side	Extra-Large	27.94 x 27.56 (1.100 x 1.085)
30-8016-9846-20-000	30-8016-9846-00-0000	120	Top	Extra-Large	27.94 x 27.56 (1.100 x 1.085)

NB: There are no removable side plate covers for the 120 Way version.