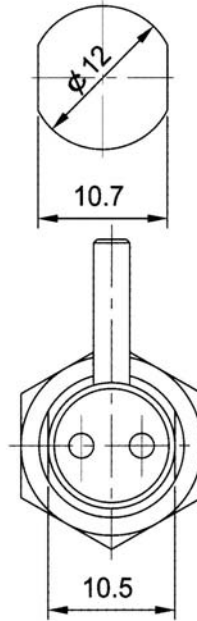
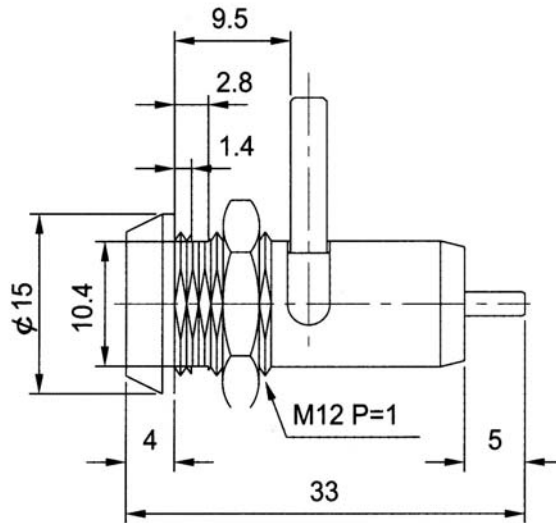
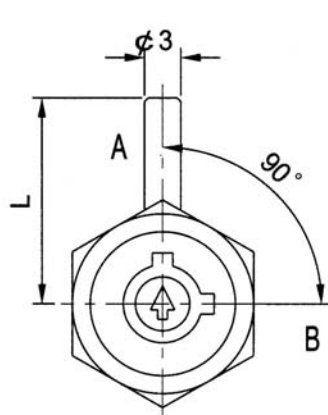
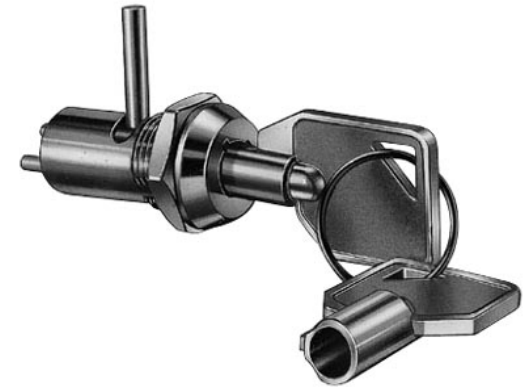


- - Off position
- ┃ - Indicates key pull
- - Indicates no key-pull



SPECIFICATIONS

- Zinc alloy die cast housing and cylinder
- Bright chrome plated standard
- No pin tumbler mechanism
- Zinc alloy tubular keys, chrome plated
- "L" dimension 13mm standard, other dimensions available on request
- Dual-function key lock switch
- Key-pull in off and on positions
- Silver plated contacts and terminals
- 2 positions (off-on), 2 terminals
- Hex nut or speed clip mounted
- All keyed alike or 6 combinations standard
- 6 combinations available
- 0.2 Amp Max

RoHS compliant

| Series | Style | Key combinations |
|-----------------|---|---|
| SWTK | S1097-2 | X |
| Key lock switch | $\phi 12$ mm cylinder, key-pull in off and on positions | A=All keyed alike B=All keyed different (up to 6 combinations) C=Customer specified |

| Rev. | Description | Date | Approved | Drawing | Name | Date |
|------|-------------|------|----------|------------|-------------|-------------|
| | | | | Approved | Howard | 08/10/99 |
| | | | | Checked | Lizzy | 08/10/99 |
| | | | | Drawn | Tina | 08/10/99 |
| | | | | 0.0 ± 0.35 | 0.00 ± 0.20 | Angles ± 3' |
| | | | | UNIT: mm | | |

Central Components Manufacturing
 440 Lincoln Blvd., Middlesex, New Jersey 08846
 Phone 732 469-5720 888 288-5152 Fax 732 469-1919

Part No.: **SWTK-S1097-2-X**

Description: Dual function key lock switch, 12mm diameter, 2 positions, 2 terminals, key-pull in off and on positions