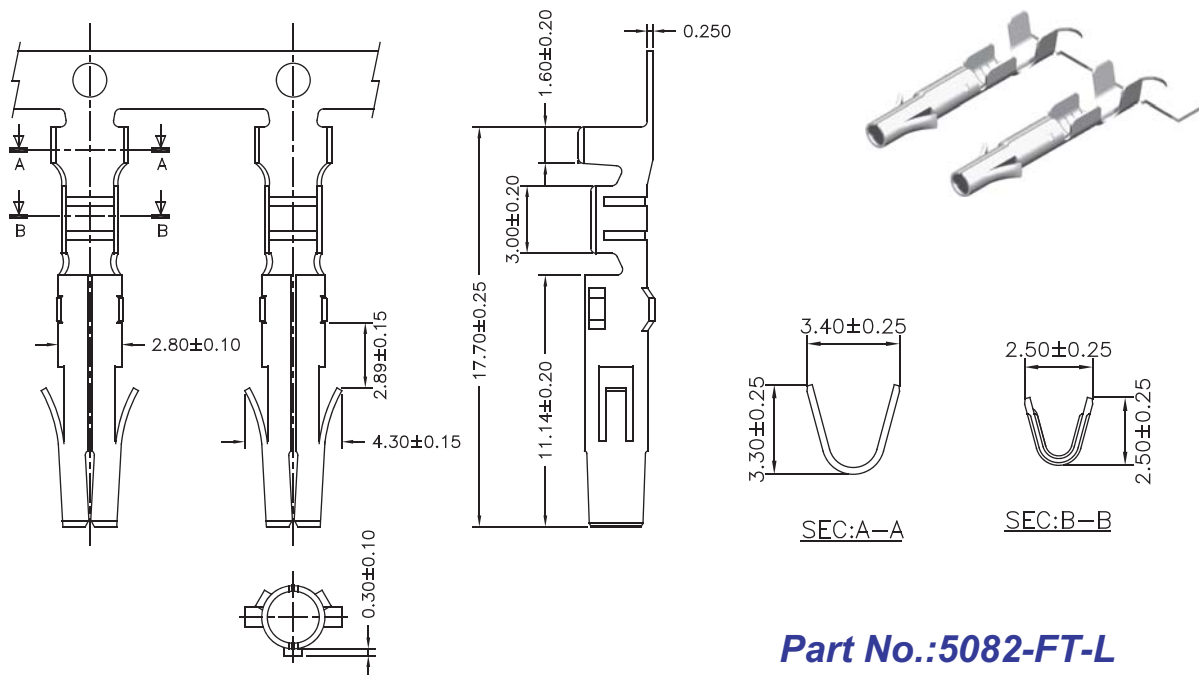


5.08mm Female Terminal / Female Housing

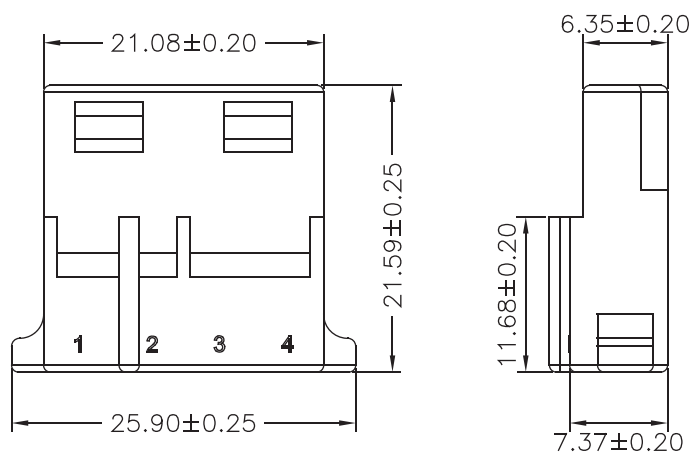
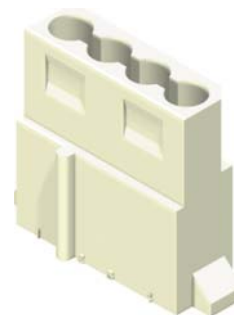
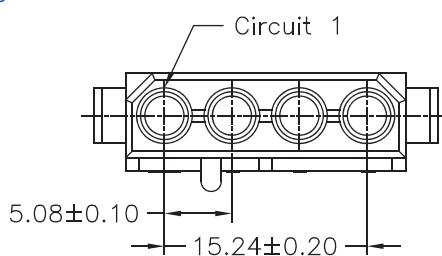


Part No.:5082-FT-L

Wire Range	Insulation O.D.	Material	Finish
AWG#14-#20	3.30mm(max)	Brass	Ti Plated

Specifications

Current Rating: 10A AC,DC
 Voltage Rating: 250V AC,DC
 Temperature Range: -25°C to +85°C
 Contact Resistance: 10mΩ Max
 Insulation Resistance: 1000MΩ Min
 Withstanding Voltage: 1500V AC/minute
 Material: Nylon 66,UL94V-2



Part No.:5082H-F04W-L

Housing wafer Terminal



ROHS