



Elite CR-39 Multi-Throw DC-22GHz Latching

The CR-39 Switch is a broadband, multi-throw, electromechanical coaxial switch designed to switch a microwave signal from a common input to any of 3, 4, 5, or 6 outputs. The characteristic impedance is 50 Ohms. The switches are small using the popular connector spacing on a 1.062" dia. circle. Each position has an individual actuator mechanism allowing random position selection. This also minimizes switching time.

Specifications

RF Contacts:	Break before make			
Actuator	Voltage (VDC) 20°C	12	15	28
	Latching Current (mA)	255	205	90
		Positions		
Reset Current (mA)	3	765	615	270
	4	1020	820	360
	5	1275	1025	450
	6	1530	1230	540
Switching Time:	20 msec max			
Connectors:	SMA (f)			
Weight:	6 oz. max			
Temperature Range:	-55°C to +85°C (Operating)			

The CR-39 comes with a latching actuator. The latching switch remains in the last position selected when the switch is de-energized. STD dual command requires a reset pulse before a new selected position. A separate reset circuit allows all positions to be set to an open position. User must provide both reset (clear) and set (select new position) commands.

Shock: MIL-STD-202 Method 213, Condition D (500G Non Operating)

Vibration: MIL-STD-202 Method 214, Condition D (10G RMS Non Operating)

Humidity: Moisture Seal Available

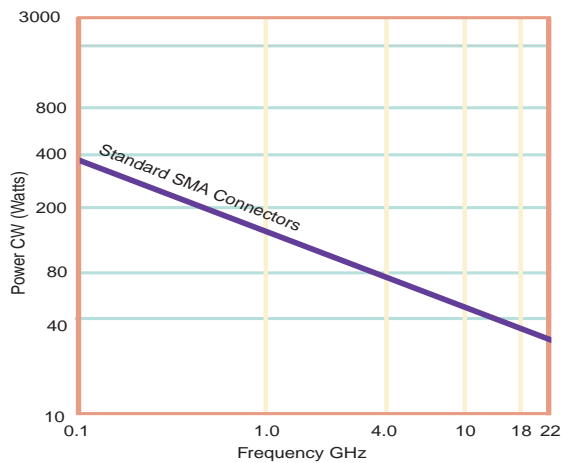
Typical Contact Life: 5 Million Cycles

Insertion Loss Repeatability (1 Million Cycles):

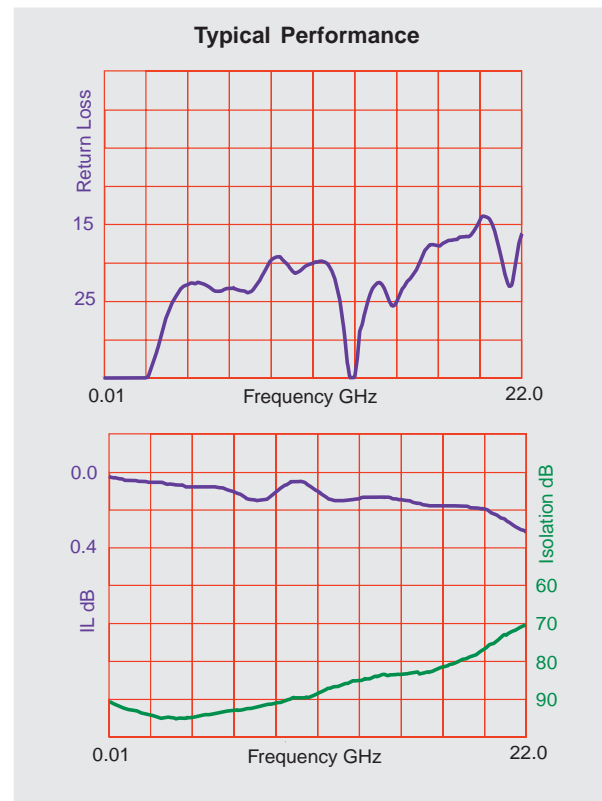
DC to 6 GHz: 0.05 dB

DC to 20 GHz: 0.1 dB

RF Power Handling



Specifications	DC-6 GHz	6-12 GHz	12-18 GHz	18-22 GHz
VSWR (max)	1.25:1	1.40:1	1.50:1	1.80:1
Insertion Loss (min)	0.20 dB	0.40 dB	0.50 dB	0.80 dB
Isolation (max)	70.0 dB	60.0 dB	60.0 dB	50.0 dB



Specifications subject to change without notice.

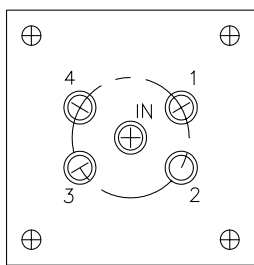
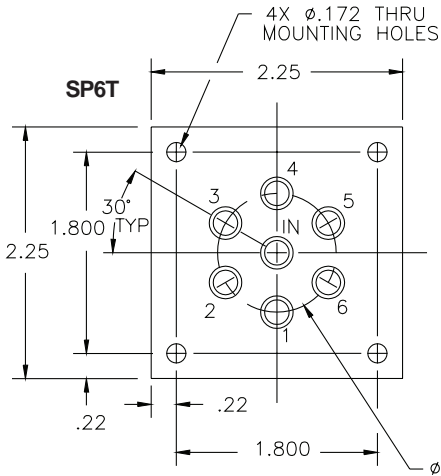
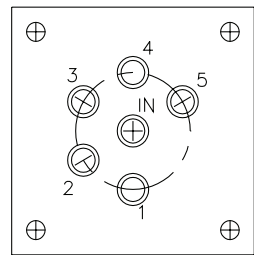
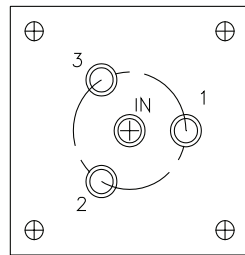
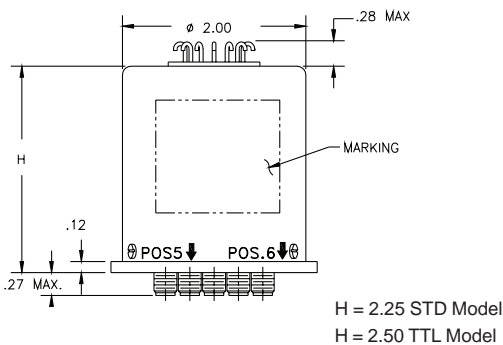
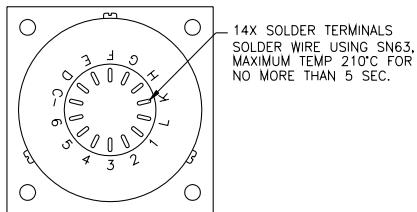
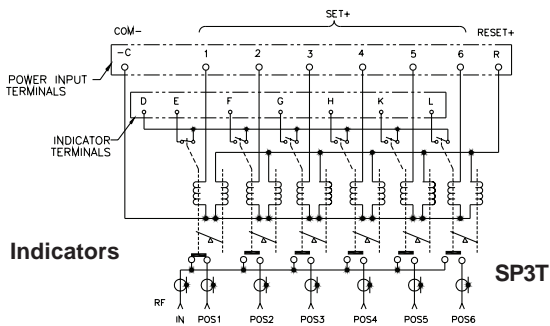
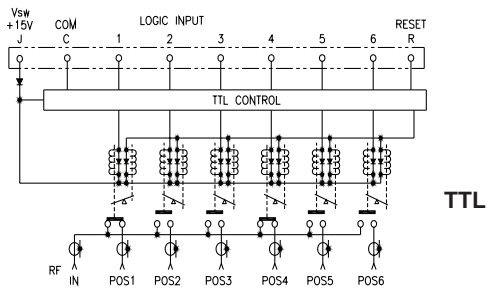
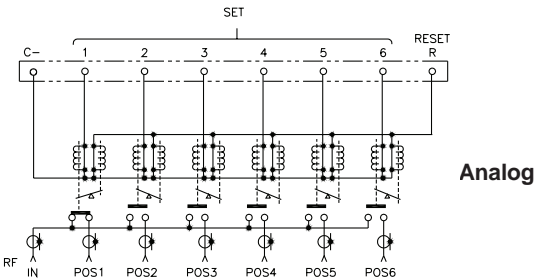
www.teledynecoax.com
email: coax@teledyne.com

Tel: (800) 351-7368
10/2007

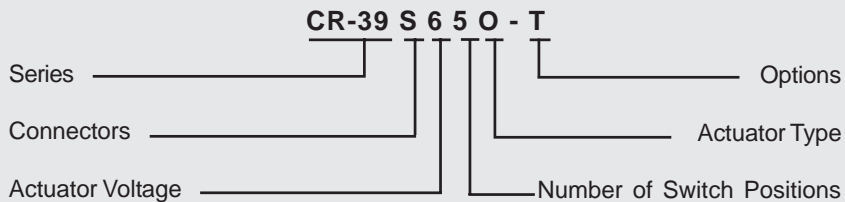
Elite CR-39

Multi-Throw DC-22GHz

Latching



Part Numbering System for CR-39 (Latching)



Connector	Actuator Voltage	Number of Positions	Actuator Type	Options
S: SMA Female	6: 28Vdc Latching	3: SP3T	O: No Indicator Contacts	T: TTL Drivers with Diodes
	7: 15Vdc Latching	4: SP4T	C: Indicator Contacts	R: Positive + Common
	8: 12Vdc Latching	5: SP5T	D: Self Cutoff Only	TD: TTL Driver with Decoder
		6: SP6T	E: Indicators and Self Cutoff	

For other options contact Factory



Specifications subject to change without notice.

www.teledynecoax.com
 email: coax@teledyne.com

Tel: (800) 351-7368
 10/2007