

NOTES:

1. MATERIALS AND FINISHES (IN MICRO-INCHES):

- BODY = ZINC DIECAST (ZAMAK #3 PER ASTM-B86), MATTE TIN PL. 100 MIN THICK OVER NICKEL PL. 100 MIN THICK OVER COPPER PL. (250 MIN/300 MAX) THICK
- CONTACT = COPPER ALLOY, GOLD PL. 6 MIN MATING AREA. THICK OVER NICKEL PL. 50 MIN. 20~80 MATTE TIN ON SOLDER TAIL
- INSULATOR = LCP, COLOR: BLACK
- HOUSING = HIGH TEMPERATURE THERMOPLASTIC, COLOR & KEYING PER TABLE
- COVER = STAINLESS STEEL, NATURAL

2. ELECTRICAL:

- A. IMPEDANCE: 100 OHM NOMINAL
- B. FREQUENCY RANGE: DC- 2 GHz
- C. RETURN LOSS: -20 dB MIN. (DC-1 GHz)  
-17 dB MIN. (DC-2 GHz)
- D. INSERTION LOSS: -0.3 dB MAX. (DC-2 GHz)
- E. SKEW(BETWEEN SIGNAL CONTACTS) 5 PSEC. MAX.
- F. CROSSTALK: -30 dB MAX.
- G. CENTER CONTACT RESISTANCE : 10 mΩ MAX.
- H. OUTER CONTACT RESISTANCE : 7.5 mΩ MAX.
- I. D.W.V.: 500 VRMS, MIN.

3. MECHANICAL:

- A. DURABILITY: 25 CYCLES MIN.
- B. TEMPERATURE RANGE: -40° C TO 105° C
- C. HOUSING RETENTION: 110N MIN. AXIAL

4. ORDER P/N SYSTEM AND PACKAGING:

HSD-NXRP-PCB-4X

- A=PACKAGING IN TAPE & REEL
- B=PACKAGING IN TRAY
- C=SINGLE PACK

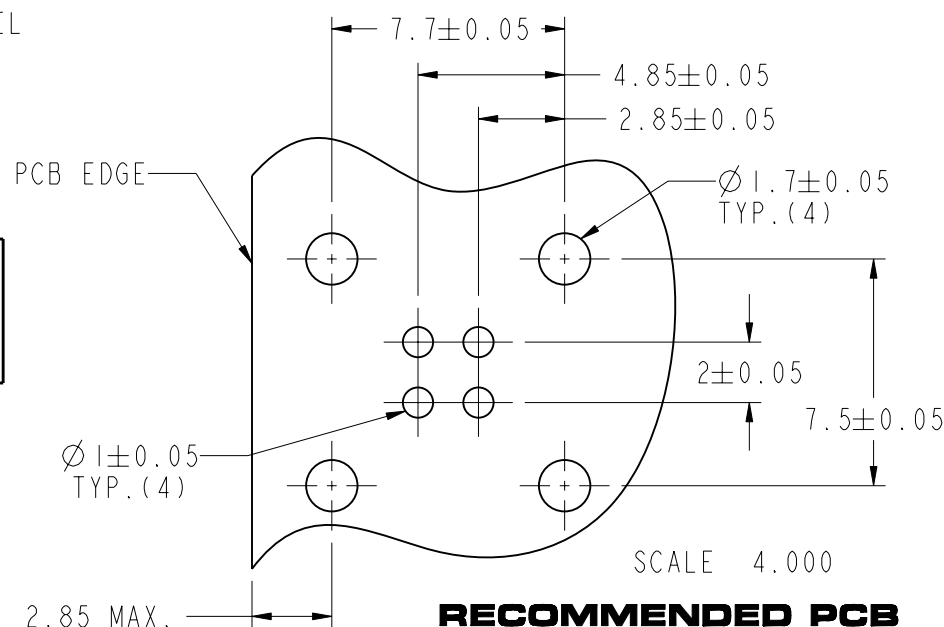
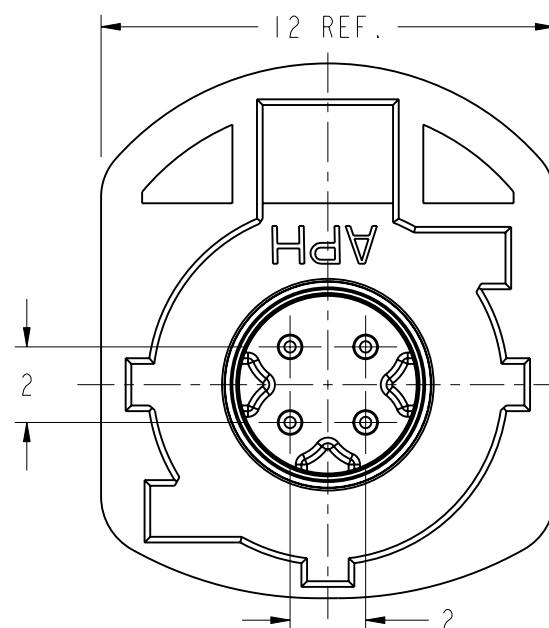
A. PACKAGING MARKING: AMPHENOL RF  
HSD-NXRP-PCB-4X  
DATE CODE

**CONFIGURATION CONTROL:**  
NO CHANGES PERMITTED TO DRAWING WITHOUT  
PPAP QUALIFIED CUSTOMER APPROVAL

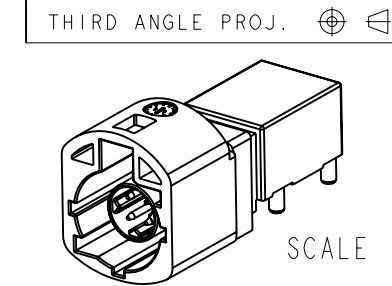
CODING	DRAWING NUMBER	COLOR	RAL NO.
A	HSD-NARP-PCB-4X	JET BLACK	9005
B	HSD-NBRP-PCB-4X	CREAM	9001
C	HSD-NCRP-PCB-4X	SIGNAL BLUE	5005
D	HSD-NDRP-PCB-4X	CLARET VIOLET	4004
E	HSD-NERP-PCB-4X	LEAF GREEN	6002
F	HSD-NFRP-PCB-4X	NUT BROWN	8011
Z	HSD-NZRP-PCB-4X	WATER BLUE	5021

UNLESS OTHERWISE SPECIFIED, DIMENSIONS ARE IN METRIC AND TOLERANCES ARE:  
 <0.5mm ±0.05mm    0.5 - 6mm ±0.1mm    6 - 30mm ±0.2mm    30 - 120mm ±0.3mm    ANGLES ±1°

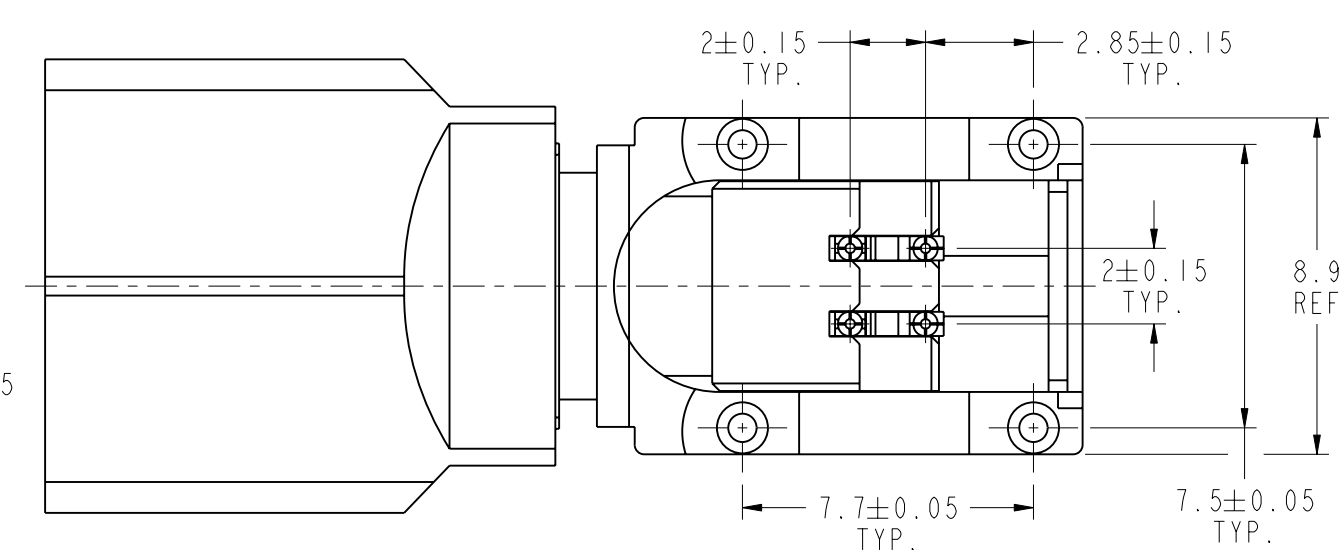
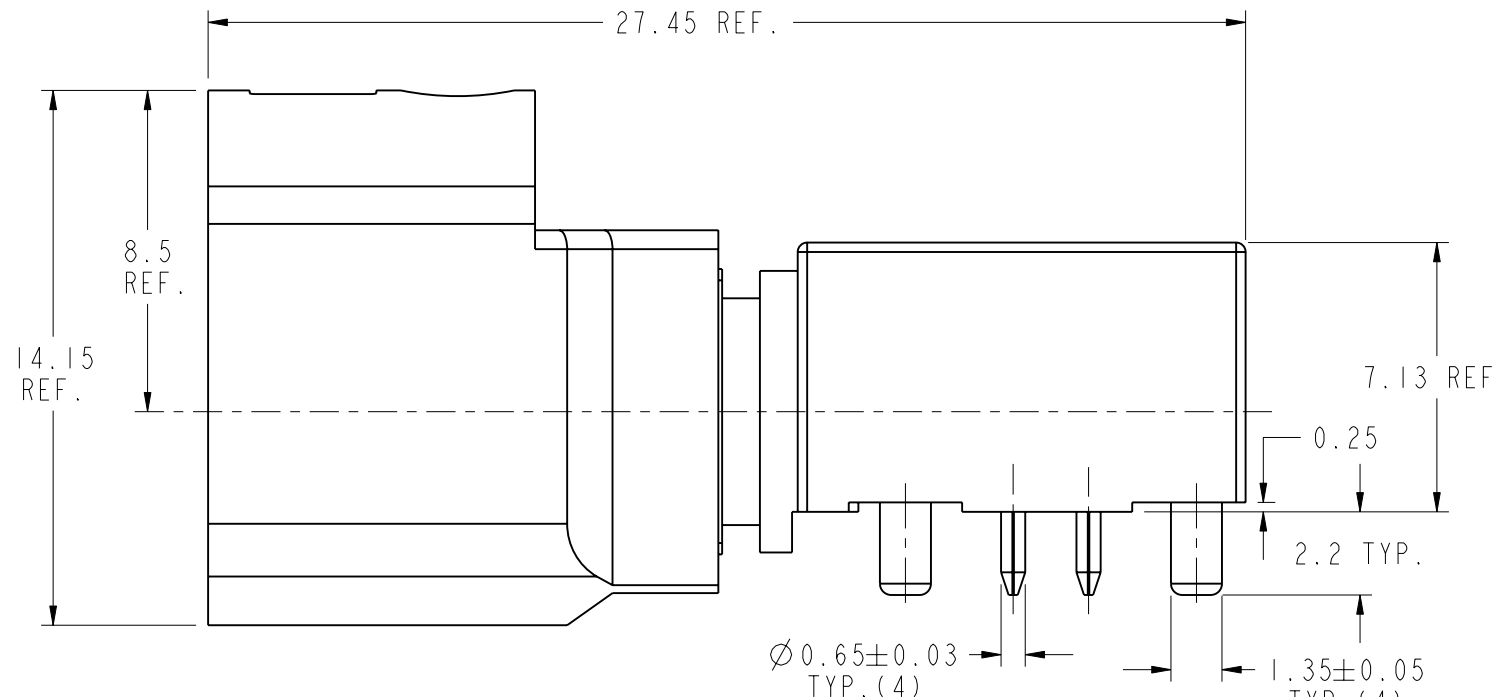
NOTICE - These drawings, specifications, or other data (1) are, and remain the property of Amphenol corp. (2) must be returned upon request; and (3) are confidential and not to be disclosed to any person other than those to whom they are given by Amphenol Corp. the furnishing of these drawings, specifications, or other data by Amphenol Corp., or to any other person for any purpose is not to be regarded by implication or otherwise in any manner licensing, granting rights to permitting such holder or any other person to manufacture, use or sell any product, process or design, patented or otherwise, that may in any way be related to or disclosed by said drawings, specifications, or other data.



**RECOMMENDED PCB LAYOUT**



SCALE 1.500



**CUSTOMER OUTLINE DRAWING**  
ALL OTHER SHEETS ARE FOR INTERNAL USE ONLY

THIRD ANGLE PROJ.		REVISIONS			
REV	DESCRIPTION	DATE	ECO	APPR	
A	RELEASE TO MFG.	3/1/13	49363	JY	
B	ADDED 2±0.05 AND 2.85±0.15 TYP.	13-Jun-13	49600	JY/BCG	

MATERIAL	DRAWN K.LIAO	DATE 24-Aug-12	TITLE HSD R/A PLUG LOW PROFILE		Amphenol RF www.amphenolrf.com
REFERENCE EAR # 5062 AND	ENGINEER J. YANG	DATE 24-Aug-12	DRAWING NO. HSD-NXRP-PCB-4X		
CONFIGURATION LEVEL:	APPROVED K. CAPOZZI	DATE 3/1/13	SCALE: 5.0:1.0	SHEET 1 OF 2	ITEM NO. HSD-NXRP-PCB-4X
FINISH	CAD FILE		DWG SIZE B	REV B	PART NO. HSD-NXRP-PCB-4X