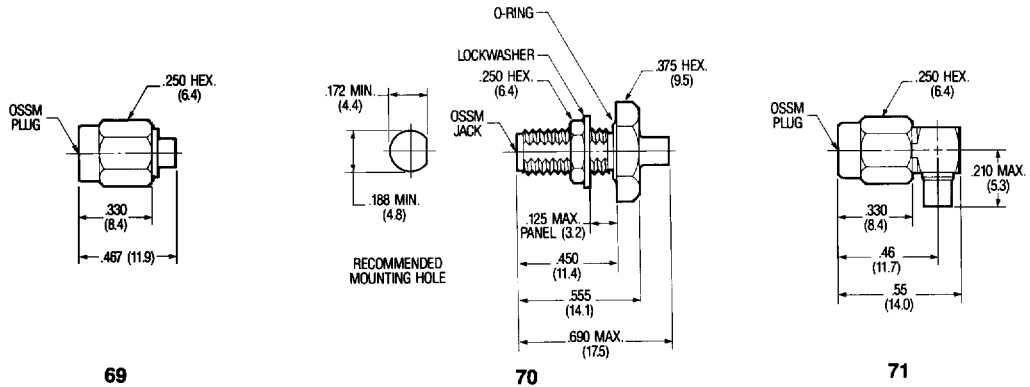
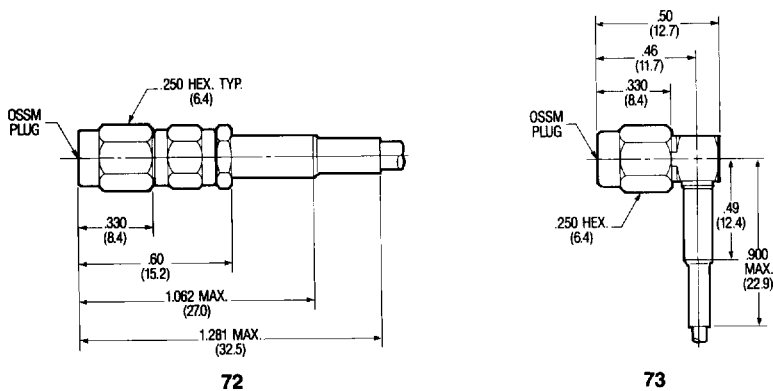


Non-Captured Center Contact



DESC Part Number	M/A-COM Part Number	Outline	Assembly Procedure	Cable	Commercial Alternate
86116ZSG	1001-5045-92	69	10-052	XII	1001-5004
86117ZSG	1004-5005-90	70	10-053	XII	1004-7985
86118ZSG	1007-5015-92	71	10-054	XII	1007-7985

Captured Center Contact



DESC Part Number	M/A-COM Part Number	Outline	Assembly Procedure	Cable	Commercial Alternate
86119ZSG	1031-5031-92	72	10-055	II, XIV	1031-7188
86120ZSG	1037-5032-92	73	10-056	II, XIV	1037-7188

See Appendix for description of interface and cable types.
* Defense Electronics Supply Center, Dayton, Ohio