

HDSL-Transformer WSL-H12.330

Specifications



Application

Brooktree BT8921/BT8970 Chipset

Features

Optimized magnetic shielding for low interference
High performance, high quality design
SMT and THT package available

Packaging

100 pcs./tray
7 trays/carton

Solderability

270 - 300°C


Isolation voltage

1500 VAC

Operation Temperature Range

-40°C to +85°C

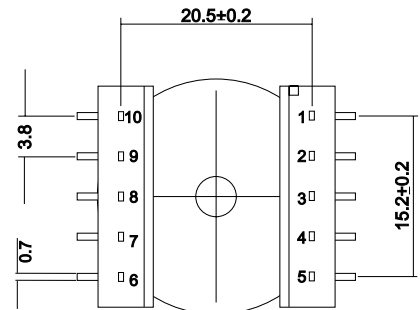
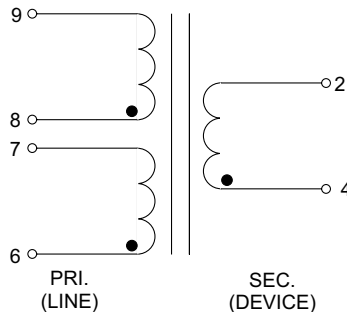
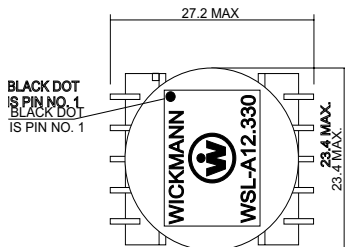
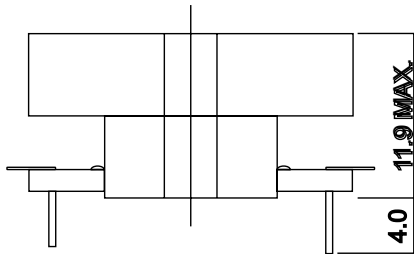
Marking

 article-no.

Unit Weight

11g

Schematics & Mechanicals (mm)



DC Resistance:	2,2 Ω (6-7) max. ±10%
	2,2 Ω (8-9) max. ±10%
	1,4 Ω (2-4) max. ±10%
Open Circuit Inductance:	2,0mH ±6% @ 10kHz, 100mVAC (6-9), short (7+8)
Turns Ratio:	1:2 ±1% (2-4):(6-9), short (7+8)
Leakage Inductance:	15,0μH max. @ 100kHz, 100mVAC (9-6), short (2+4, 7+8)
DC Current:	70mA max.
Interwinding Capacity:	-
Reflects 100Ω @ R _L =	-
Return Loss:	16,5dB min. @ 40-320kHz
Total Harmonic Distortion (THD):	-75dB typ. @ 200kHz, 6VAC, 135 Ω load

Order Information

Qty.	Order Number
	960 4 612330 9