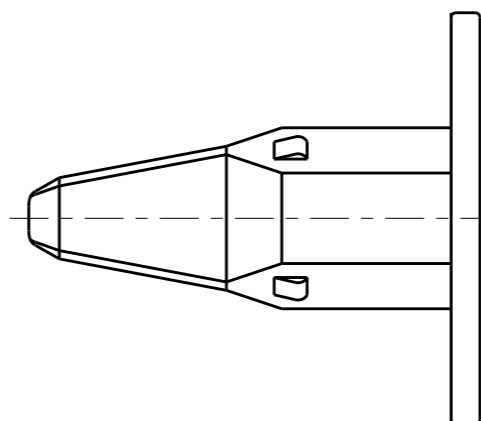
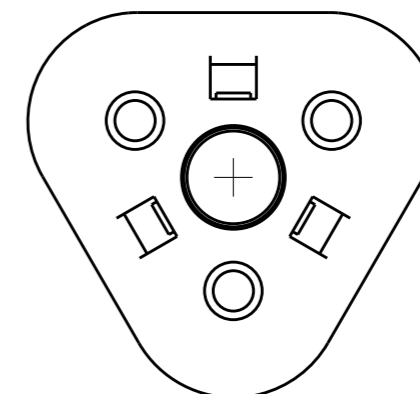
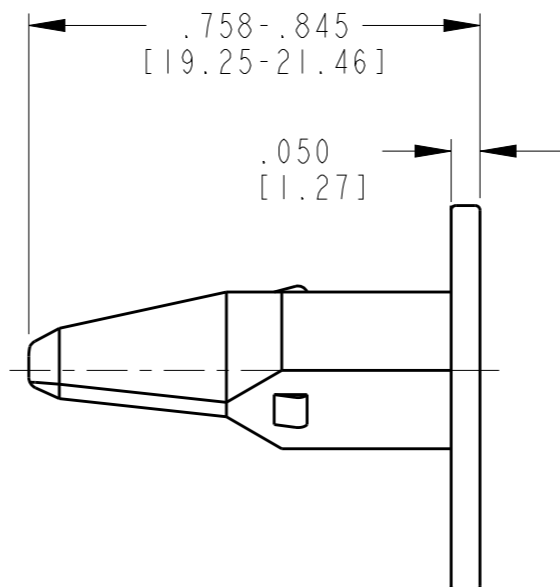
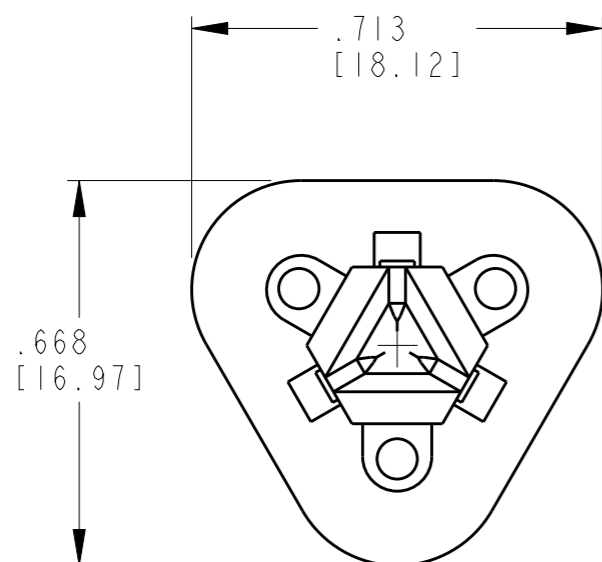


REVISIONS

P	LTR	DESCRIPTION	DATE	DWN	APVD
	E	REVISED PER PCN E-17-001289	16JAN2017	CM	DM


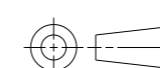


TE INTERNAL PN	DEUTSCH PN
W3S	W3S

2. MATERIAL: PBT 30% GF (ORANGE)

1. THIS WEDGE MAY BE USED WITH DT06-3S-XXXX PLUG (XXXX = ALL MODIFICATIONS). CONSULT FACTORY FOR MODIFICATION AND APPLICATION.

NOTES:

THIS DRAWING IS A CONTROLLED DOCUMENT.		DWN	A. LEE	04FEB1997	 TE Connectivity
DIMENSIONS: INCHES [mm]		CHK	B. BYFORD	14NOV2008	
		APVD	S. BEARD	13NOV2008	
TOLERANCES UNLESS OTHERWISE SPECIFIED:		PRODUCT SPEC		NAME	
0 PLC ± 1 PLC ± 2 PLC ± 3 PLC ±.025 [0.64] 4 PLC ± ANGLES ±0°30'0"		APPLICATION SPEC		WEDGE LOCK FOR 3 WAY PLUG STANDARD TYPE DT SERIES	
MATERIAL		WEIGHT		SIZE	
2		0.97 g		A3	
FINISH		CUSTOMER DRAWING		CAGE CODE	
				4AFU8	
		SCALE		DRAWING NO	
		3:1		G-W3S	
		SHEET		RESTRICTED TO	
		1 OF 1		-	
		REV		E	