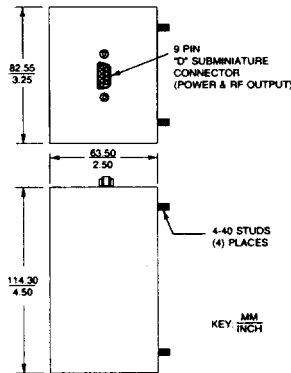
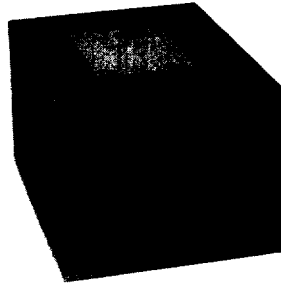


400 Reimann Ave., Sandwich, IL 60548 815-786-8411 FAX: 815-786-3600

OVENIZED CRYSTAL OSCILLATORS STRATUM II - SC CUT DOUBLE OVEN OSCILLATOR

JKSC-142



SPECIFICATIONS

OUTPUT FREQUENCY: 5.0 MHz*

DC INPUT REQUIREMENTS: +15VDC and +5VDC ($\pm 5\%$ regulated to $\pm 1\%$)

INPUT POWER REQUIREMENTS (TYPICAL):

	+15VDC	+5VDC
@ turn-on	9 watts	0.18 watts
@ +35°C	3watts	0.18 watts

OPERATING TEMPERATURE RANGE: 0°C to +60°C

RF OUTPUT CHARACTERISTICS: Square wave
10 LS TTL Loads
Duty Cycle 45/55 to 55/45

WARM UP (+25°C): Less than $+1 \times 10^7$ in 25 minutes from frequency at one hour on

STABILITY: $\pm 1 \times 10^{-7}$ for 20 years without adjustment
(After stabilization): $\pm 1 \times 10^{-8}$ per day with any 15°C ambient temperature change and a 0.3% input voltage change.

INPUT/OUTPUT CONNECTOR: 9 pin "D" sub-miniature

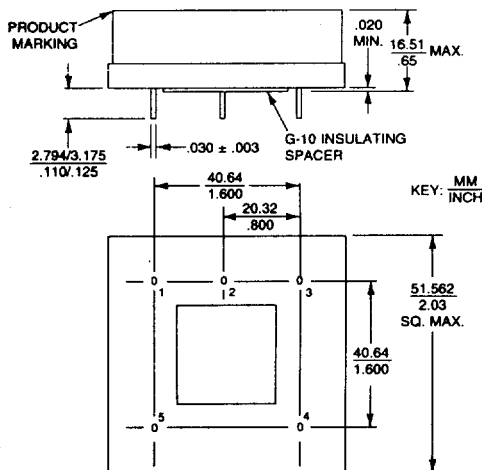
MTBF: greater than 250,000 hours

SIZE: 4.50" x 3.25" x 2.5" H.

* Consult factory for other frequencies and options

OVENIZED CRYSTAL OSCILLATORS STRATUM III - LOW PROFILE OCVCXO

JKXO-144



1	VC CONTROL
2	+5V
3	RF OUTPUT
4	GND
5	+12V

PIN IDENTIFICATION FOR REFERENCE ONLY AND DOES NOT APPEAR ON THE UNIT.

SPECIFICATIONS

FREQUENCY RANGE 10 to 25 MHz standard*

INPUT VOLTAGE +12.0 VDC $\pm 5\%$ oven
+5.0 VDC $\pm 5\%$ oscillator

INPUT POWER 12V - 5W maximum at turn on
2 W maximum at room temperature
5V - 75 mW maximum

FREQUENCY STABILITY:

vs. Temperature $\pm 1 \times 10^{-7}$ -40°C to +85°C
 $\pm 3 \times 10^{-8}$ 0°C to 65°C

vs. Time $\pm 5 \times 10^{-8}$ /day at time of shipment
 $\pm 1 \times 10^{-8}$ /10 years

vs. Supply $\pm 1 \times 10^{-8}$ /day for $\pm 5\%$ voltage change, oven or oscillator

OUTPUT HCMOS

DEVIATION ± 10 PPM minimum, ± 15 PPM maximum

CONTROL VOLTAGE +3.0 VDC

LINEARITY $\leq 10\%$ Best straight line

SHOCK 100Gs, 6 ms

VIBRATION 10 Gs, 10-500 Hz

* Other frequencies available upon request