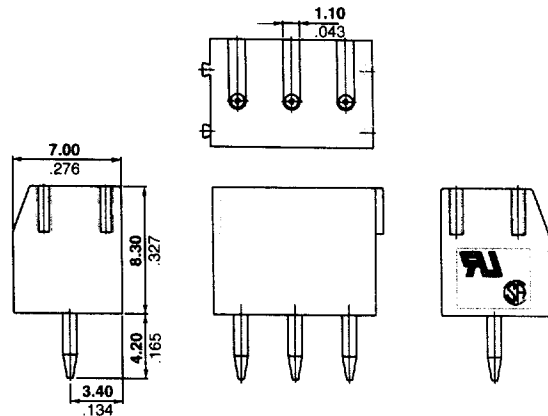
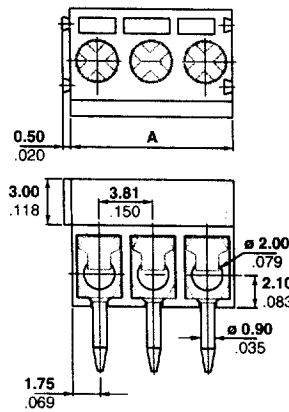


PCB Mount, Straight, Side Wire Entry Connectors

**Terminal Block PCB Mount
Side Wire Entry
w/Interlock
3.81mm Pitch (LT)
Color – Blue**

**UL Rating – 300 V, 10 A
14-22 AWG**

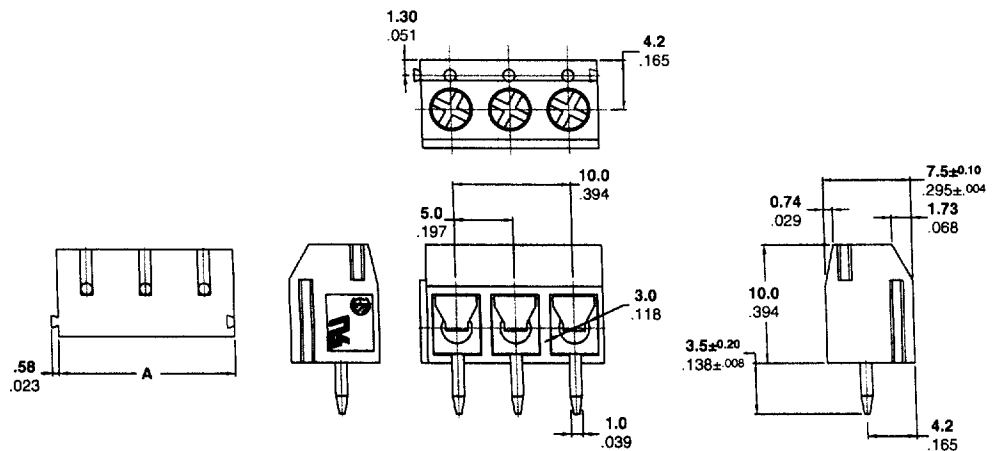


No. of Positions	Dim. A	Part Numbers
2	7.62 [0.300]	796415-2
3	11.43 [0.450]	796415-3
4	14.00 [0.551]	796415-4
5	17.50 [0.689]	796415-5
6	21.00 [0.827]	796415-6
7	24.50 [0.965]	796415-7
8	28.00 [1.102]	796415-8
9	31.50 [1.240]	796415-9
10	35.00 [1.378]	1-796415-0
11	38.50 [1.516]	1-796415-1
12	42.00 [1.654]	1-796415-2
13	45.50 [1.791]	1-796415-3

No. of Positions	Dim. A	Part Numbers
14	49.00 [1.929]	1-796415-4
15	52.50 [2.067]	1-796415-5
16	54.00 [2.126]	1-796415-6
17	57.50 [2.264]	1-796415-7
18	61.00 [4.202]	1-796415-8
19	64.50 [2.539]	1-796415-9
20	68.00 [2.677]	2-796415-0
21	71.50 [2.815]	2-796415-1
22	75.00 [2.953]	2-796415-2
23	78.50 [3.091]	2-796415-3
24	82.00 [3.228]	2-796414-4

**Terminal Block PCB Mount
Side Wire Entry, Low
Profile w/Interlock,
5.0 mm Pitch (LT)**

**UL Rating – 300 V, 10 A
14-22 AWG**



No. of Positions	Dim. A	Part No.	
		Blue	Green
2	10.0 [0.394]	796712-2	796734-2
3	15.0 [0.591]	796712-3	796734-3
4	20.0 [0.787]	796712-4	796734-4
5	25.0 [0.984]	796712-5	796734-5
6	30.0 [1.181]	796712-6	796734-6
7	35.0 [1.378]	796712-7	796734-7
8	40.0 [1.575]	796712-8	796734-8
9	45.0 [1.772]	796712-9	796734-9
10	50.0 [1.968]	1-796712-0	1-796734-0
11	55.0 [2.165]	1-796712-1	1-796734-1
12	60.0 [2.362]	1-796712-2	1-796734-2
13	65.0 [2.559]	1-796712-3	1-796734-3

No. of Positions	Dim. A	Part No.	
		Blue	Green
14	70.0 [0.591]	1-796712-4	1-796734-4
15	75.0 [0.787]	1-796712-5	1-796734-5
16	80.0 [0.984]	1-796712-6	1-796734-6
17	85.0 [1.181]	1-796712-7	1-796734-7
18	90.0 [1.378]	1-796712-8	1-796734-8
19	95.0 [1.575]	1-796712-9	1-796734-9
20	100.0 [1.772]	2-796712-0	2-796734-0
21	105.0 [1.968]	2-796712-1	2-796734-1
22	110.0 [2.165]	2-796712-2	2-796734-2
23	115.0 [2.362]	2-796712-3	2-796734-3
24	120.0 [2.362]	2-796712-4	2-796734-4