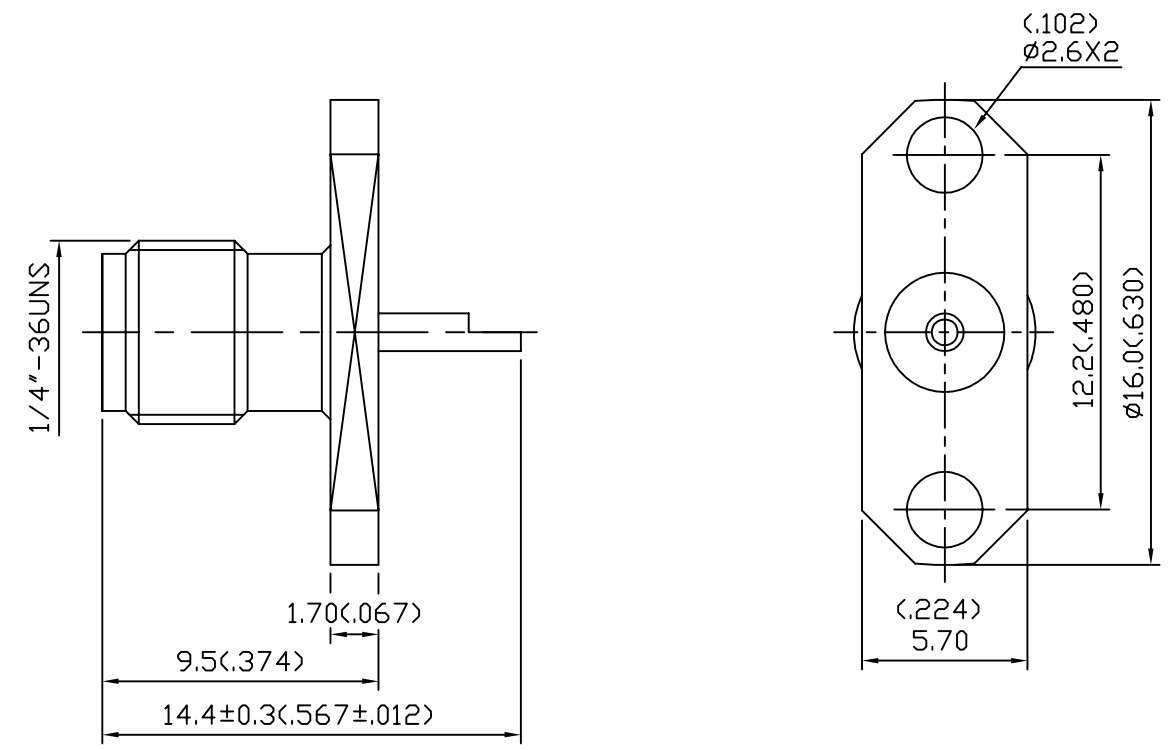


8 7 6 5 4 3 2 1

DRAWING REVISIONS

REV	DOCUMENT	APP	DATE
1	PRELIM.		



NOTES:
 1. SPECIFICATIONS:
 MATERIALS:
 BODY: BRASS
 PLATING: GOLD 3 MICRO INCHES MIN.
 CENTER CONTACT: Be Cu
 PLATING: GOLD 50 MICRO INCHES MIN.
 INSULATOR: TEFLON

ELECTRICAL

IMPEDANCE: 50 Ohms
 FREQUENCY RANGE: 0 TO 18 GHz
 WORKING VOLTAGE: <= 500V
 INSULATION RESISTANCE: >= 5000 MOhms
 CONTACT RESISTANCE:
 CENTER CONTACT: 3 MILLI Ohms MAX.
 OUTER CONTACT: 2 MILLI Ohms MAX.

MECHANICAL:

DURABILITY: 500 MATING CYCLES.
 OPERATING TEMPERATURE: -65°C TO 165°C.
 CONNECTOR INTERFACE PER MIL-STD-348A

2. ALL DIMENSIONS ARE IN MM AND DIMENSIONS IN () ARE IN INCHES.

CINCH PART NO.	CINCH CATALOG NO.
299 98 05 004	SMA50-7401

UNITS METRIC		AUTOCAD		1700 FINLEY RD LOMBARD, IL 60148
DO NOT SCALE DRAWING	DRAWN BY A.BALI	DATE 04/28/03	TITLE SMA SOCKET/JACK/STRA PANNEL MOUNT 50 Ohms.	
UNLESS OTHERWISE SPECIFIED, DIMENSIONS ARE IN MILLIMETERS	DESIGN ENGINEER A.BALI	04/28/03	MATERIAL SEE NOTE	
	DESIGN ENGINEERING MGR.		CONTROL SPEC NUMBER	
FILLET/RADIUS 0.50 MAX.	TOLERANCES X ±2.5 XX ±0.25 XXX ±0.127		PROJECT NUMBER C14526	
TOLERANCES AND LIMITS APPLY OVER ADDITIVE FINISH	MFG. ENGINEERING		CAD FILE NUMBER SMA50-7401	DRAWING NUMBER SMA50-7401
THIS DOCUMENT IS THE PROPERTY OF CINCH. NEITHER THIS DOCUMENT NOR ANY OF THE INFORMATION CONTAINED IN IT MAY BE DUPLICATED OR DISCLOSED WITHOUT PRIOR WRITTEN CONSENT OF CINCH.	QUALITY ASSURANCE		CAGE IDENT NO. 71785	SIZE B
			SCALE NTS	SHEET 1 OF 1

8 7 6 5 4 3 2 1