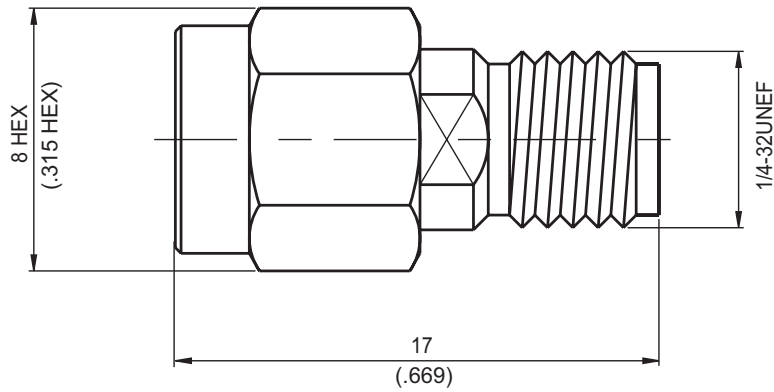


ADS-A3A8

SMA Plug To SMA Jack

50Ω



Typical VSWR

Part Number	1 GHz	2 GHz	3 GHz	4 GHz	5 GHz	6 GHz	7 GHz	8 GHz	9 GHz
ADS-A3A8	1.03	1.04	1.03	1.03	1.04	1.06	1.07	1.14	1.2
	10 GHz	11 GHz	12 GHz	13 GHz	14 GHz	15 GHz	16 GHz	17 GHz	18 GHz
	1.14	1.21	1.14	1.03	1.07	1.12	1.16	1.15	1.15

Parts	Material	Plating (Micro-inch)
Renber Ring	Beryllium Copper	Tin-Zinc-Copper-Alloy 100 Over Copper 50
Gasket	Silicone	
Contact Pin	Beryllium Copper	Gold 20 Over Nickel 50 Over Copper 50
Insulator	Teflon	
Body	Stainless	Passivated
Coupling Nut	Stainless	Passivated

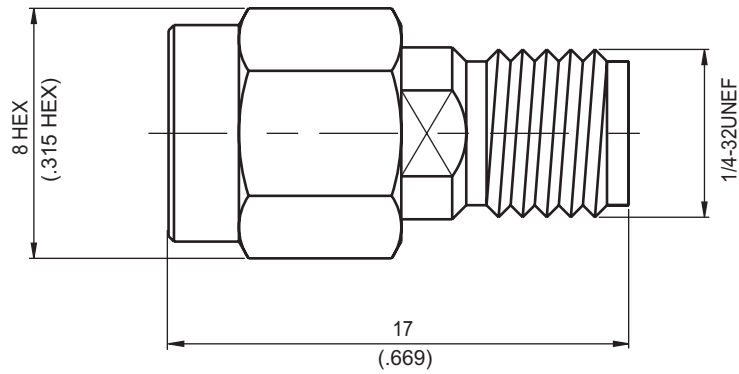
Weight: 3.24 g

Notice: JYEBAO reserves the right to make modifications deemed appropriate.

ADSG-A3A8

SMA Plug To SMA Jack

50Ω



Typical VSWR

Part Number	1 GHz	2 GHz	3 GHz	4 GHz	5 GHz	6 GHz	7 GHz	8 GHz	9 GHz
ADSG-A3A8	1.05	1.08	1.1	1.13	1.21	1.28	1.28	1.28	1.28
	10 GHz	11 GHz	12 GHz	13 GHz	14 GHz	15 GHz	16 GHz	17 GHz	18 GHz
	1.28	1.28	1.28	1.28	1.28	1.28	1.28	1.28	1.29

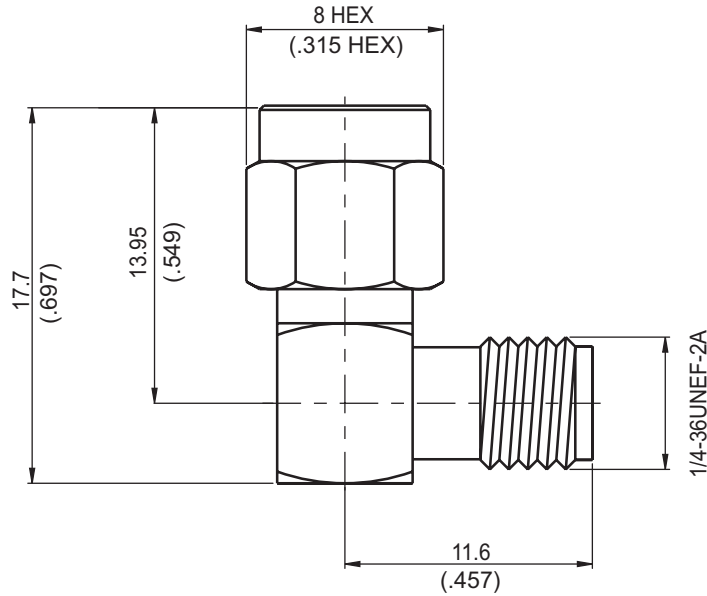
Parts	Material	Plating (Micro-inch)
Renber Ring	Beryllium Copper	Gold 5 Over Nickel 50 Over Copper 50
Gasket	Silicone	
Contact Pin	Beryllium Copper	Gold 20 Over Nickel 50 Over Copper 50
Insulator	Teflon	
Body	Stainless	Gold 5 Over Nickel 50 Over Copper 50
Coupling Nut	Stainless	Gold 5 Over Nickel 50 Over Copper 50

Weight: 3 g

Notice: JYEBAO reserves the right to make modifications deemed appropriate.

ALSG-A3A8

SMA Plug To SMA Jack Right Angle 50Ω



Typical VSWR

Part Number	1 GHz	2 GHz	3 GHz	4 GHz	5 GHz	6 GHz	7 GHz	8 GHz	9 GHz	10 GHz	11 GHz
ALSG-A3A8	1.02	1.05	1.06	1.08	1.13	1.19	1.31	1.31	1.31	1.31	1.31

Parts	Material	Plating (Micro-inch)
Cover	Brass	Gold 5 Over Nickel 50 Over Copper 50
Renbrock Ring	Beryllium Copper	Gold 5 Over Nickel 50 Over Copper 50
Gasket	Silicone	
Contact Pin(Plug)	Brass	Gold 10 Over Nickel 50 Over Copper 50
Contact Pin(Jack)	Beryllium Copper	Gold 10 Over Nickel 50 Over Copper 50
Insulator	Teflon	
Body	Stainless	Gold 5 Over Nickel 50 Over Copper 50
Coupling Nut	Stainless	Gold 5 Over Nickel 50 Over Copper 50

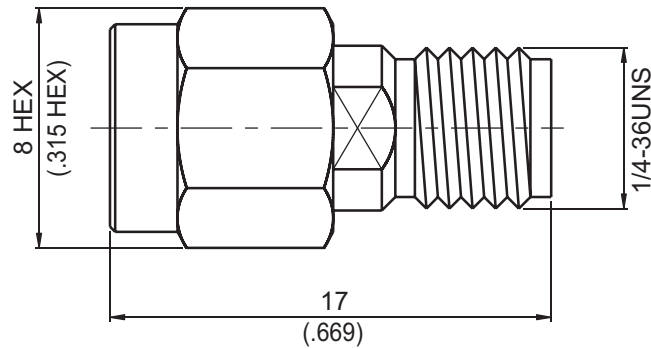
Weight: 5.17 g

Notice: JYEBAO reserves the right to make modifications deemed appropriate.

AD-A3A8

SMA Plug To SMA Jack

50Ω



Typical VSWR

Part Number	1 GHz	2 GHz	3 GHz	4 GHz	5 GHz	6 GHz	7 GHz	8 GHz	9 GHz
AD-A3A8	1.03	1.03	1.04	1.04	1.05	1.11	1.12	1.12	1.18
	10 GHz	11 GHz	12 GHz	13 GHz	14 GHz	15 GHz	16 GHz	17 GHz	18 GHz
	1.18	1.18	1.19	1.19	1.19	1.19	1.19	1.19	1.19

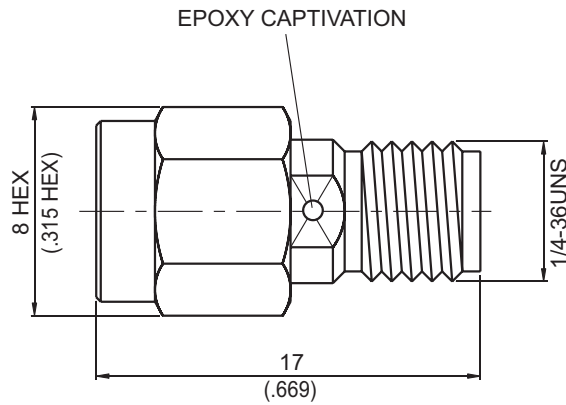
Parts	Material	Plating (Micro-inch)
Renber Ring	Beryllium Copper	Tin-Zinc-Copper-Alloy 100 Over Copper 50
Gasket	Silicone	
Contact Pin	Beryllium Copper	Gold 10 Over Nickel 50 Over Copper 50
Insulator	Teflon	
Body	Brass	Gold 5 Over Nickel 50 Over Copper 50
Coupling Nut	Brass	Gold 5 Over Nickel 50 Over Copper 50

Weight: 4.56 g

Notice: JYEBAO reserves the right to make modifications deemed appropriate.

AD-A3A9

SMA Plug To SMA Reverse Polarity Jack 50Ω



Typical VSWR

Part Number	1 GHz	2 GHz	3 GHz	4 GHz	5 GHz	6 GHz	7 GHz	8 GHz	9 GHz
AD-A3A9	1.02	1.02	1.02	1.02	1.04	1.08	1.09	1.16	1.16
	10 GHz	11 GHz	12 GHz	13 GHz	14 GHz	15 GHz	16 GHz	17 GHz	18 GHz
	1.16	1.16	1.16	1.16	1.16	1.34	1.34	1.34	1.34

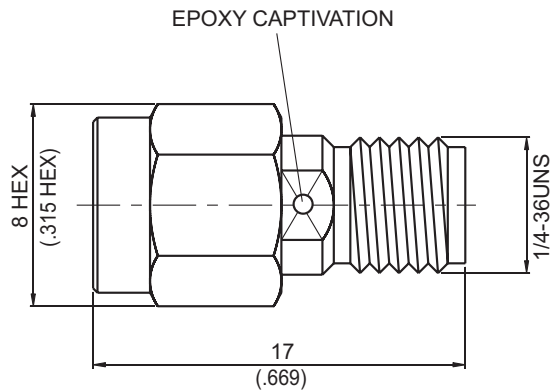
Parts	Material	Plating (Micro-inch)
Renber Ring	Beryllium Copper	Tin-Zinc-Copper-Alloy 100 Over Copper 50
Gasket	Silicone	
Contact Pin	Brass	Gold 10 Over Nickel 50 Over Copper 50
Insulator	Teflon	
Body	Brass	Gold 5 Over Nickel 50 Over Copper 50
Coupling Nut	Brass	Gold 5 Over Nickel 50 Over Copper 50

Weight:

Notice: JYEBAO reserves the right to make modifications deemed appropriate.

AD-A6A8

SMA Reverse Polarity Plug To SMA Jack 50Ω



Typical VSWR

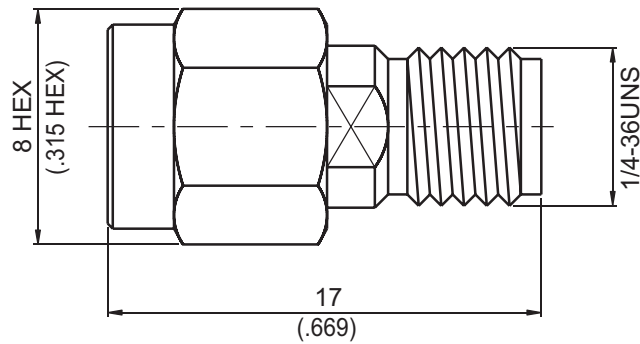
Part Number	1 GHz	2 GHz	3 GHz	4 GHz	5 GHz	6 GHz	7 GHz	8 GHz
AD-A6A8	1.02	1.02	1.05	1.05	1.06	1.08	1.14	1.34

Parts	Material	Plating (Micro-inch)
Renber Ring	Beryllium Copper	Tin-Zinc-Copper-Alloy 100 Over Copper 50
Gasket	Silicone	
Contact Pin	Beryllium Copper	Gold 10 Over Nickel 50 Over Copper 50
Insulator	Teflon	
Body	Brass	Gold 5 Over Nickel 50 Over Copper 50
Coupling Nut	Brass	Gold 5 Over Nickel 50 Over Copper 50

Weight: 3.22 g

Notice: JYEBAO reserves the right to make modifications deemed appropriate.

AD-A6A9 SMA Reverse Polarity Plug To SMA Reverse Polarity Jack 50Ω



Typical VSWR

Part Number	1 GHz	2 GHz	3 GHz	4 GHz	5 GHz	6 GHz	7 GHz	8 GHz
AD-A6A9	1.02	1.02	1.04	1.05	1.05	1.09	1.15	1.32

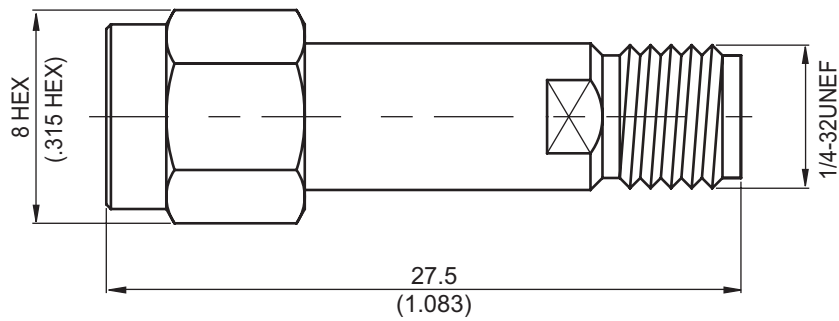
Parts	Material	Plating (Micro-inch)
Renber Ring	Beryllium Copper	Tin-Zinc-Copper-Alloy 100 Over Copper 50
Gasket	Silicone	
Contact Pin	Beryllium Copper	Gold 10 Over Nickel 50 Over Copper 50
Insulator	Teflon	
Body	Brass	Gold 5 Over Nickel 50 Over Copper 50
Coupling Nut	Brass	Gold 5 Over Nickel 50 Over Copper 50

Weight: 3.35 g

AD-A3A8-L

SMA Plug To SMA Jack

50Ω



Typical VSWR

Part Number	1 GHz	2 GHz	3 GHz	4 GHz	5 GHz	6 GHz	7 GHz	8 GHz	9 GHz
AD-A3A8-L	1.02	1.02	1.04	1.05	1.07	1.09	1.09	1.09	1.16
	10 GHz	11 GHz	12 GHz	13 GHz	14 GHz	15 GHz	16 GHz	17 GHz	18 GHz
	1.28	1.31	1.32	1.32	1.32	1.32	1.32	1.32	1.32

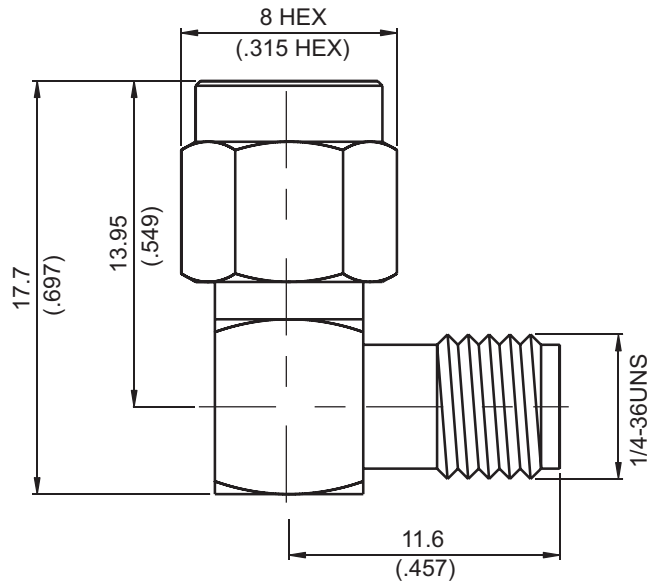
Parts	Material	Plating (Micro-inch)
Renber Ring	Beryllium Copper	Tin-Zinc-Copper-Alloy 100 Over Copper 50
Gasket	Silicone	
Contact Pin	Beryllium Copper	Gold 10 Over Nickel 50 Over Copper 50
Insulator	Teflon	
Body	Brass	Gold 5 Over Nickel 50 Over Copper 50
Coupling Nut	Brass	Gold 5 Over Nickel 50 Over Copper 50

Weight: 5.13 g

Notice: JYEBAO reserves the right to make modifications deemed appropriate.

AL-A3A8

SMA Plug To SMA Jack Right Angle 50Ω



Typical VSWR

Part Number	1 GHz	2 GHz	3 GHz	4 GHz	5 GHz	6 GHz	7 GHz
AL-A3A8	1.02	1.02	1.09	1.12	1.19	1.23	1.23
	8 GHz	9 GHz	10 GHz	11 GHz	12 GHz	13 GHz	14 GHz
	1.23	1.23	1.23	1.23	1.23	1.23	1.26

Parts	Material	Plating (Micro-inch)
Cover	Brass	Gold 5 Over Nickel 50 Over Copper 50
Renbrock Ring	Beryllium Copper	Gold 5 Over Nickel 50 Over Copper 50
Gasket	Silicone	
Contact Pin(Jack)	Beryllium Copper	Gold 10 Over Nickel 50 Over Copper 50
Insulator	Teflon	
Contact Pin(Plug)	Brass	Gold 10 Over Nickel 50 Over Copper 50
Body	Brass	Gold 5 Over Nickel 50 Over Copper 50
Coupling Nut	Brass	Gold 5 Over Nickel 50 Over Copper 50

Weight: 3.26 g

Notice: JYEBAO reserves the right to make modifications deemed appropriate.