

Solder Terminals - Angle

Part Number	Material Type	Finish Code	Inventory Type	Dim. 'A'
416-093	Copper	0	Special	0.093" (2.36mm)

Part Number	Material Type	Finish Code	Inventory Type	Dim. 'A'
541-136	Brass	0	Stock	0.136" (3.45mm)

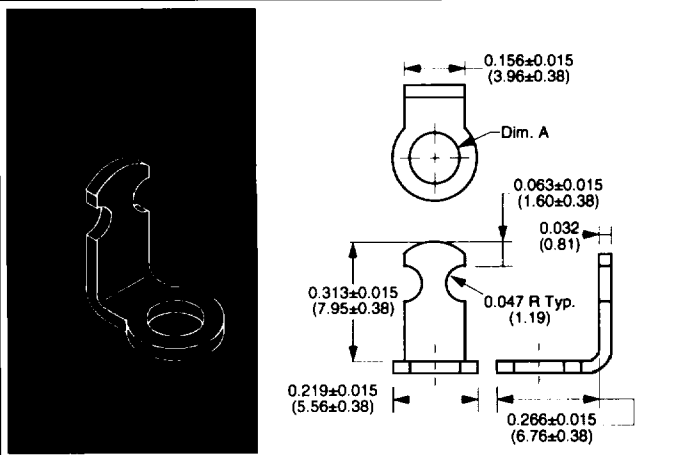
Part Number	Material Type	Finish Code	Inventory Type	Dim. 'A'
401-120	Brass	0	Stock	0.120" (3.05mm)

Part Number	Material Type	Finish Code	Inventory Type	Dim. 'A'
417-144	Brass	0	Stock	0.144" (3.66mm)

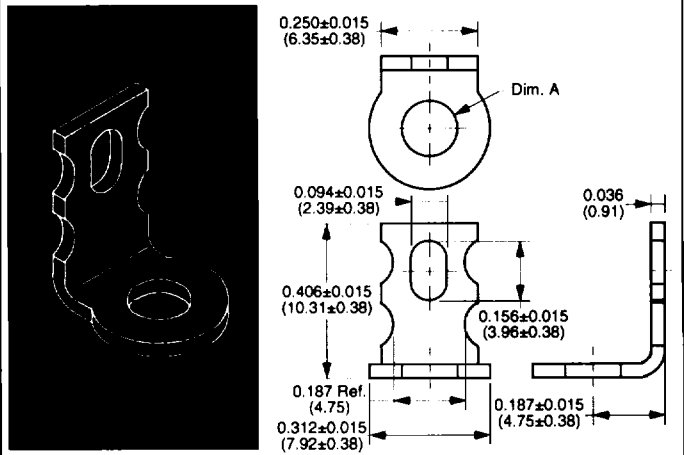
Part Number	Material Type	Finish Code	Inventory Type	Dim. 'A'
349-125	Brass	0	Stock	0.125" (3.18mm)
349-144	Brass	0	Stock	0.144" (3.66mm)

Part Number	Material Type	Finish Code	Inventory Type	Dim. 'A'
324-156	Brass	0	Stock	0.156" (3.96mm)

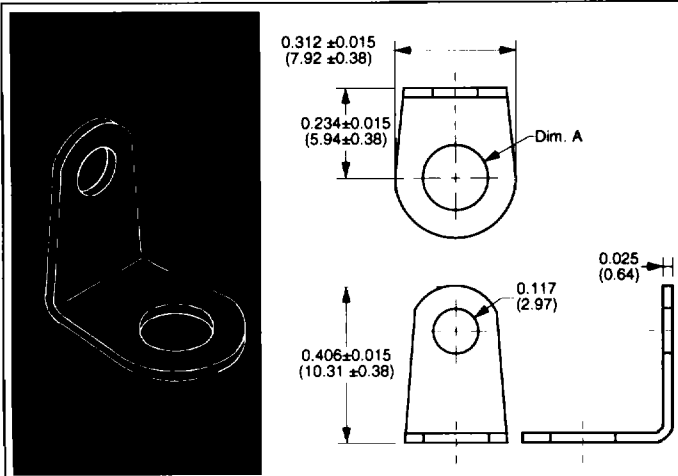
Solder Terminals - Angle



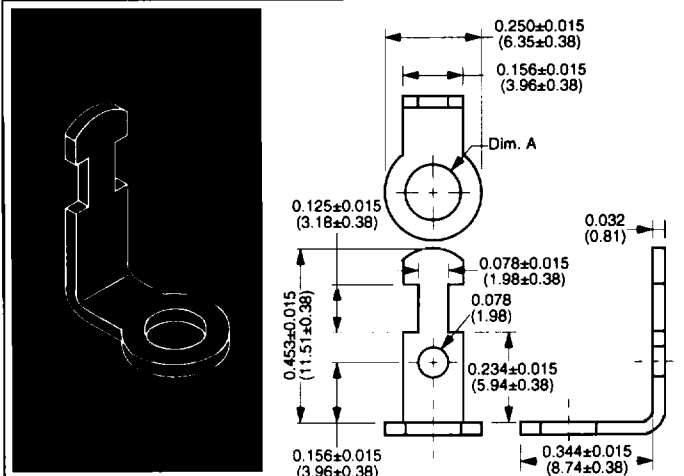
Part Number	Material Type	Finish Code	Inventory Type	Dim. 'A'
574-130	Brass	0	Stock	0.130" (3.30mm)



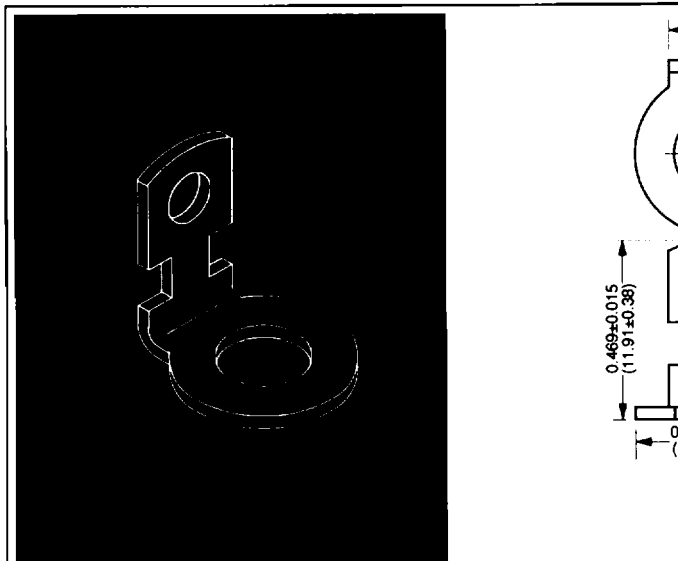
Part Number	Material Type	Finish Code	Inventory Type	Dim. 'A'
440-144	Brass	0	Stock	0.144" (3.66mm)



Part Number	Material Type	Finish Code	Inventory Type	Dim. 'A'
428-169	Brass	0	Stock	0.169" (4.29mm)

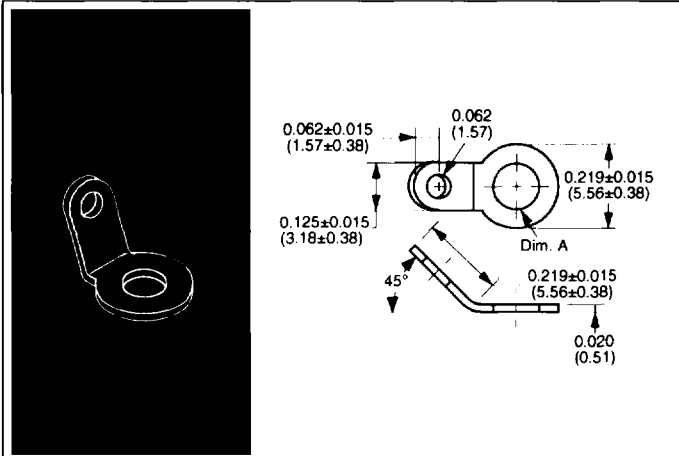


Part Number	Material Type	Finish Code	Inventory Type	Dim. 'A'
147-144	Brass	0	Stock	0.144" (3.66mm)

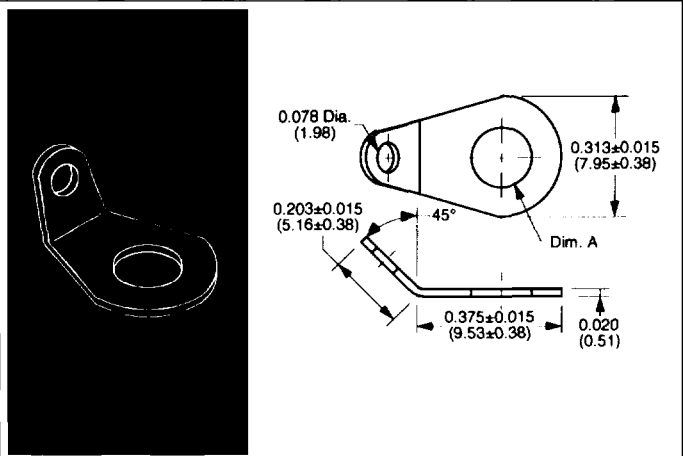


Part Number	Material Type	Finish Code	Inventory Type	Dim. 'A'
376-218	Brass	0	Stock	0.218" (5.54mm)

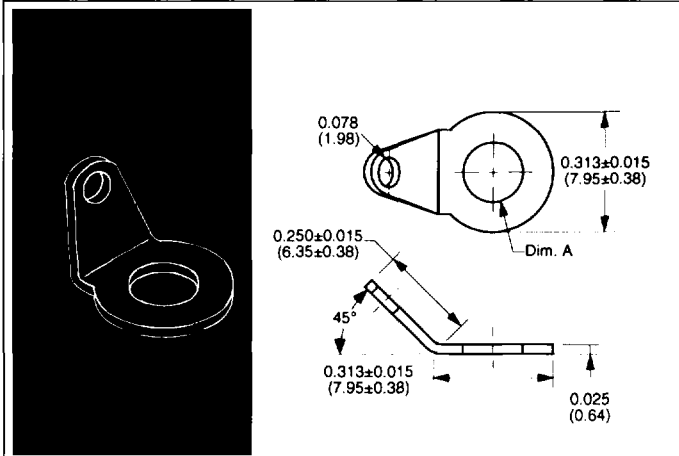
Solder Terminals - Angle



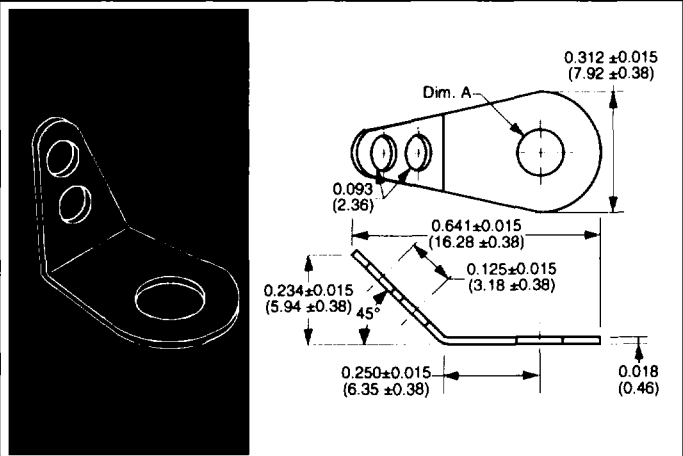
Part Number	Material Type	Finish Code	Inventory Type	Dim. 'A'
333-100	Brass	0	Stock	0.100" (2.54mm)
333-120	Brass	0	Stock	0.120" (3.05mm)



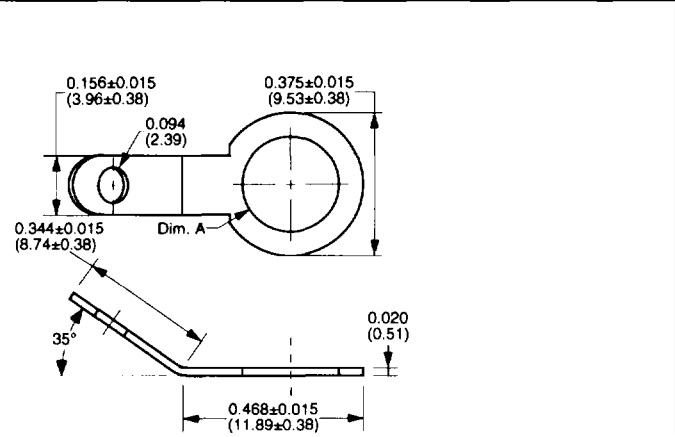
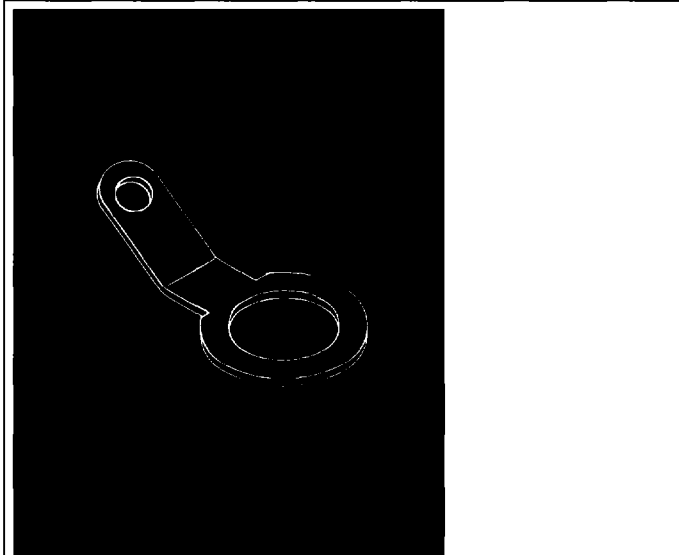
Part Number	Material Type	Finish Code	Inventory Type	Dim. 'A'
322-144	Brass	0	Stock	0.144" (3.66mm)
322-156	Brass	0	Stock	0.156" (3.96mm)



Part Number	Material Type	Finish Code	Inventory Type	Dim. 'A'
323-156	Brass	0	Stock	0.156" (3.96mm)

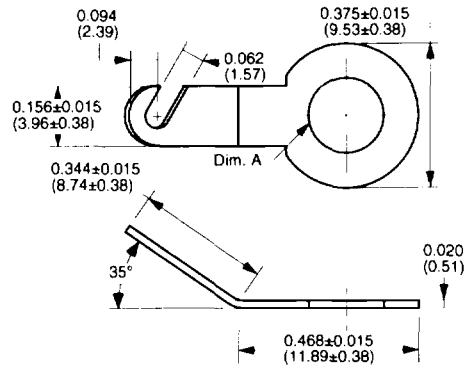
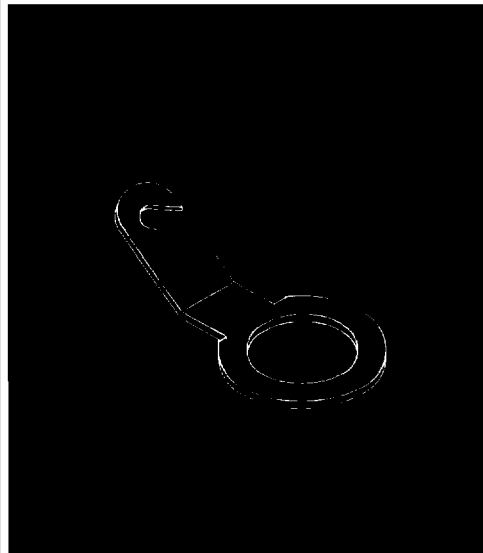


Part Number	Material Type	Finish Code	Inventory Type	Dim. 'A'
626-144	Brass	0	Stock	0.144" (3.66mm)
626-196	Brass	0	Stock	0.196" (4.98mm)

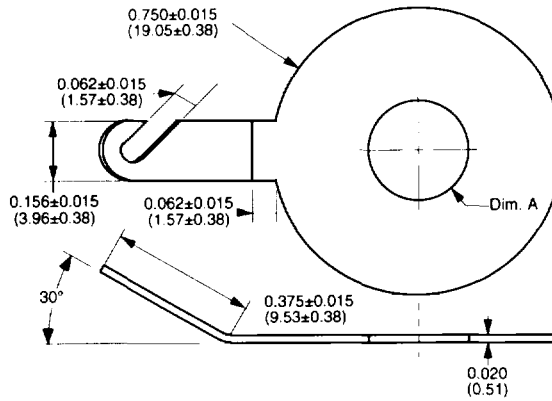
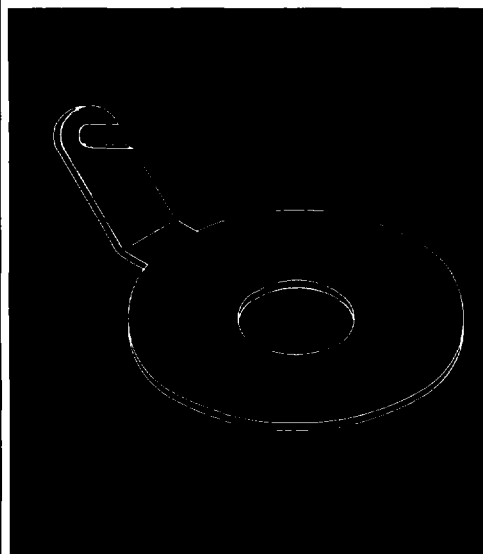


Part Number	Material Type	Finish Code	Inventory Type	Dim. 'A'
110-250	Brass	0	Stock	0.250" (6.35mm)

Solder Terminals - Angle



Part Number	Material Type	Finish Code	Inventory Type	Dim. 'A'
115-196	Brass	0	Stock	0.196" (4.98mm)
115-250	Brass	0	Stock	0.250" (6.35mm)



Part Number	Material Type	Finish Code	Inventory Type	Dim. 'A'
127-260	Brass	0	Stock	0.260" (6.60mm)