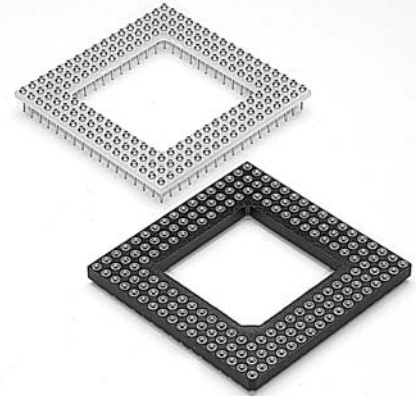
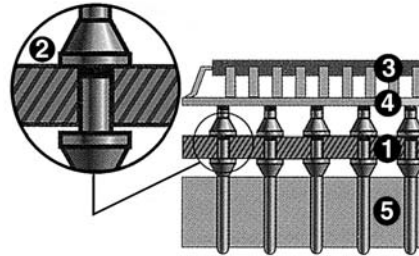


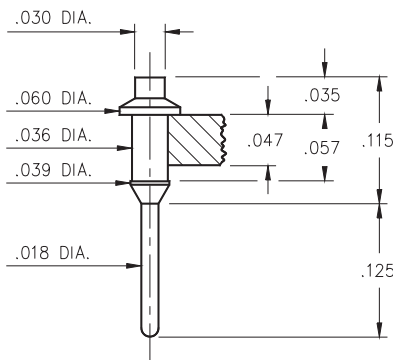
- Series 599 SMT PGA headers and Series 514 SMT PGA sockets are assembled with MM pin# 9976, and receptacle# 1434 respectively. Each floats vertically within the insulator to compensate for uneven solder paste on the PCB. Typical example illustrated.

- "Floating" pin SMT Headers using machined epoxy insulator.
- Detail of "Floating" pins which compensate for unevenly screened solder paste.
- PQFP device
- Translator board
- Existing motherboard



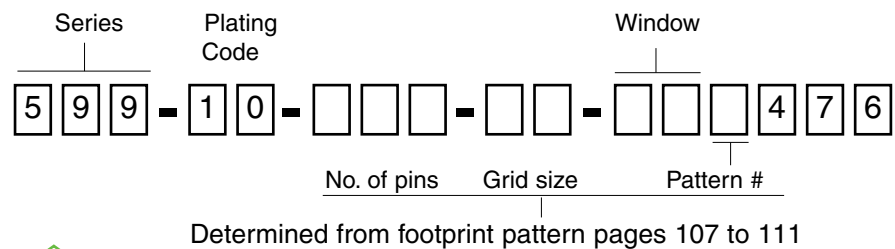
Ordering Information

HEADER TYPE 9976



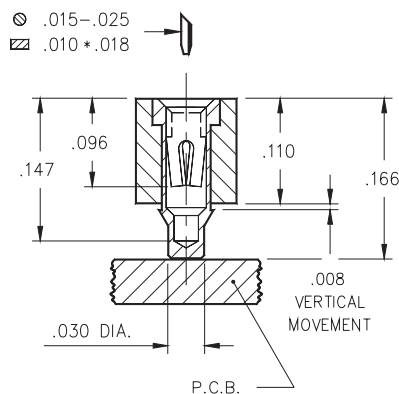
FOR PGA MALE PIN HEADER

1. Locate footprint pattern from pages 107 to 111, the middle 8 digits of the part number will be located under the pattern.



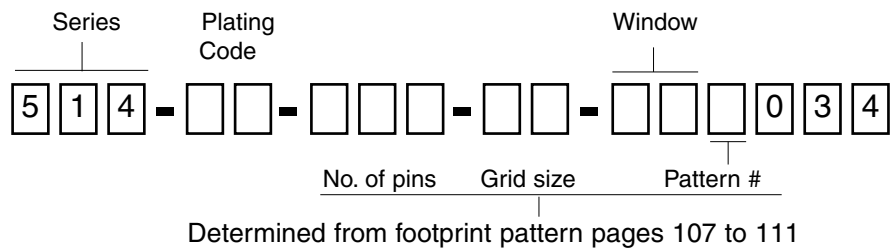
SPECIFY PLATING CODE XX=	10◇			
Pin Plating	10μ" Au			

SMT RECEPTACLE TYPE 1434



FOR PGA FEMALE SOCKET

- Specify 2-digit plating code from chart at bottom of page.
- Locate footprint pattern from pages 107 to 111, the middle 8 digits of the part number will be located under the pattern.



SPECIFY PLATING CODE XX=	13◇	93	99	43◇	44◇
Sleeve (Pin)	10μ" Au	200μ" Sn/Pb	200μ" Sn/Pb	200μ" Sn	200μ" Sn
Contact (Clip)	30μ" Au	30μ" Au	200μ" Sn/Pb	30μ" Au	200μ" Sn