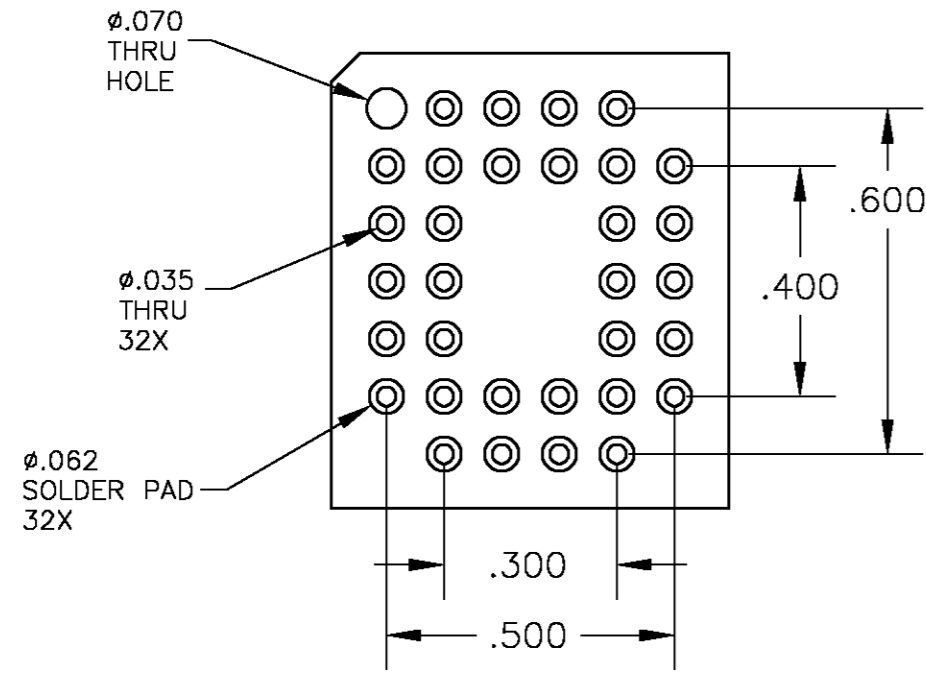
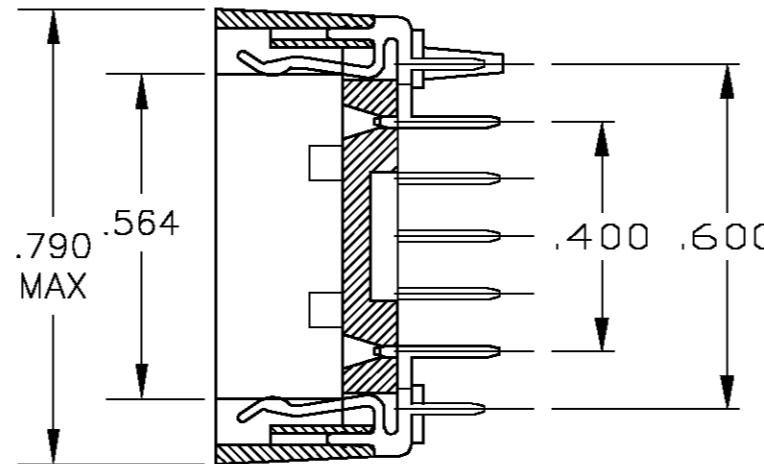
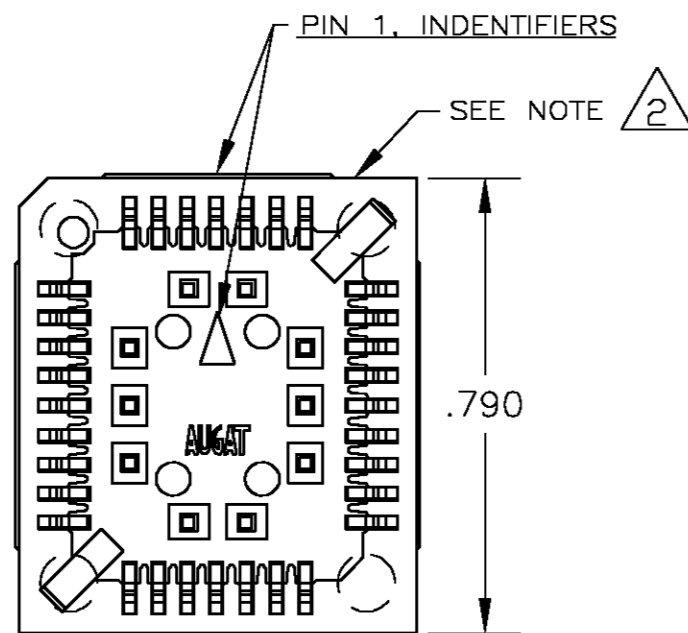


THIS DRAWING IS UNPUBLISHED. RELEASED FOR PUBLICATION
 © COPYRIGHT BY TYCO ELECTRONICS CORPORATION. ALL RIGHTS RESERVED.

LOC		DIST		REVISIONS			
P	LTR	DESCRIPTION	DATE	DWN	APVD		
B		EC 0G3C-0100-04	23SEP04	BSV	KW		



RECOMMENDED HOLE LAYOUT
 TOLERANCE: $\pm.002$
 UNLESS OTHERWISE NOTED



SPECIFICATIONS:

MATERIALS:
 CONTACT: COPPER ALLOY, TIN/LEAD PLATE OVER NICKEL.
 INSULATOR: PPS

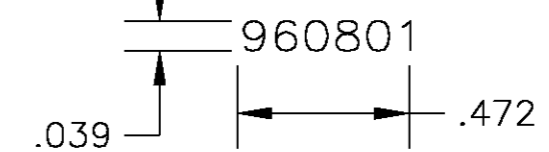
ELECTRICAL:
 CURRENT CAPACITY: 1 AMP.
 LOW LEVEL CONTACT RESISTANCE: 30 MILLIOHMS MAX.
 CAPACITANCE (CONTACT TO CONTACT): 1 pF MAX.
 @ 1kHz, MIL-STD-202, METHOD 305.
 DIELECTRIC WITHSTANDING VOLTAGE: 600 VAC PER
 MIL-STD-1344, METHOD 3001.1.

MECHANICAL:
 FORCE, INSERTION: 310g MAX. PER LINE.
 FORCE, WITHDRAWAL: 31g MIN. PER LINE
 FORCE, NORMAL: 200g MIN. PER LINE

ENVIRONMENTAL:
 OPERATING TEMPERATURE: -67°F TO $+221^{\circ}\text{F}$
 (-55°C TO $+105^{\circ}\text{C}$.)
 STORAGE TEMPERATURE: -67°F TO $+221^{\circ}\text{F}$
 (-55°C TO $+105^{\circ}\text{C}$.)

NOTES:

- INTERPRET DRAWING PER ASME Y14.5M-1994.
- DATE CODE (PER BELOW) TO BE LASER CODED AND CENTERED ON THIS SURFACE.



PCS - 032 A - 1 X 2

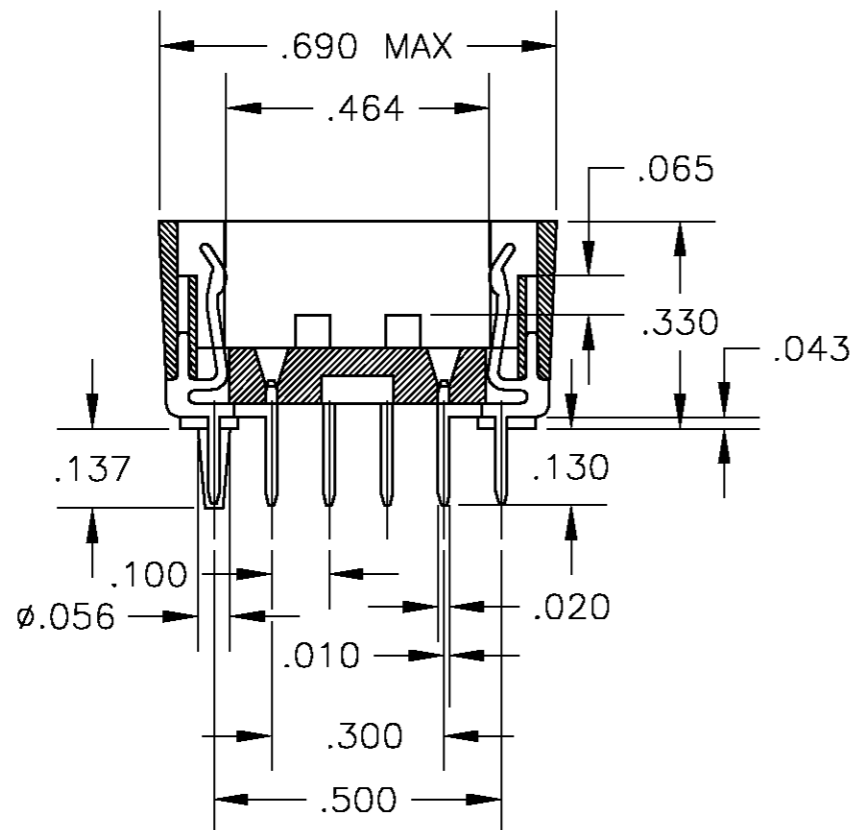
SERIES

BLANK = WITHOUT LOCATION POST
 2 = WITH LOCATION POST

PLATING
 I = TIN/LEAD

TYPE:
 A = JEDEC "A"

NO. OF CONTACTS



TYCO PT. NO.	AUGAT PT. NO.
1-1437528-9	PCS-032A-1

THIS DRAWING IS A CONTROLLED DOCUMENT.		DWN BSV	23SEP04	tyco Electronics	Tyco Electronics Corporation Harrisburg, Pa 17105-3808				
DIMENSIONS: INCHES		CHK -	APVD K.WRIGHT		NAME OUTLINE DRAWING PCS SOCKET				
TOLERANCES UNLESS OTHERWISE SPECIFIED:		0 PLC \pm		APPLICATION SPEC		SIZE A2	CAGE CODE 00779	DRAWING NO 1-1437528-9	RESTRICTED TO -
MATERIAL SEE SPECIFICATIONS		1 PLC \pm		WEIGHT		SCALE 3:1		SHEET 1 OF 1	REV B
FINISH SEE SPECIFICATIONS		2 PLC \pm		CUSTOMER DRAWING					
ANGLES $\pm 1^{\circ}$		3 PLC $\pm .010$							
FINISH SEE SPECIFICATIONS		4 PLC \pm							