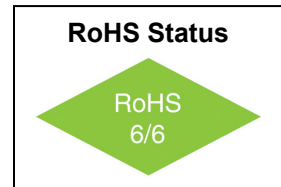


VFHH
Leadless SMD Crystal
5.5x12mm

Features

- Low profile (5.0 mm)
- Excellent for Solder Reflow Applications
- Wide Frequency Range Available
- Cost Efficient



Electrical Specifications

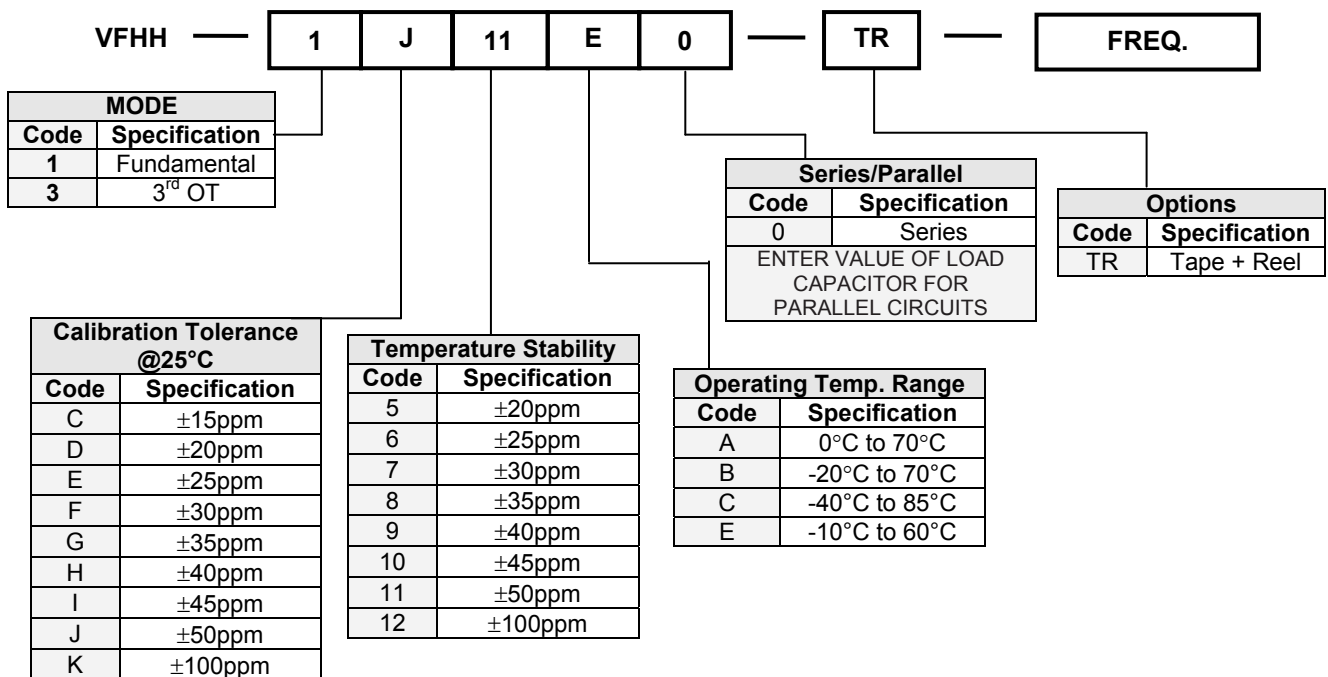
| Parameter | Symbol | Condition | Min | Typ | Max | Unit | Note |
|-----------------------------|----------------|-----------|------|-----|------|------|--------------------------|
| Frequency Range | F | | 3.2 | | 70 | MHz | |
| Frequency Tolerance | | @ 25°C | | ±50 | | ppm | See "How to Order" chart |
| Frequency Stability | $\Delta F/F$ | | | ±50 | | ppm | See "How to Order" chart |
| Operating Temperature Range | T | | -40° | | +85° | °C | See "How to Order" chart |
| Storage Temperature Range | | | -40° | | +85° | °C | |
| Shunt Capacitance | C ₀ | | | | 7.0 | pF | |
| Drive Level | | | | | 100 | μW | |
| Aging Per Year | | @ 25°C | | | ±5.0 | ppm | |

VFHH
Leadless SMD Crystal
5.5x12mm

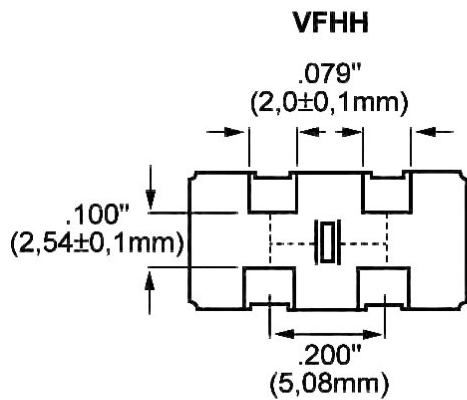
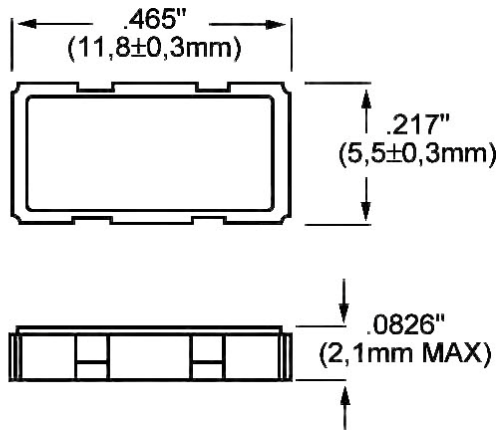
Frequency Range

| Frequency Range | Mode | Max ESR (Ω) |
|-----------------|--------------------------|----------------------|
| 3.200 – 3.500 | Fundamental | 200 |
| 3.500 – 4.000 | Fundamental | 140 |
| 4.000 – 4.400 | Fundamental | 120 |
| 4.400 – 4.900 | Fundamental | 100 |
| 4.900 – 6.000 | Fundamental | 80 |
| 6.000 – 7.000 | Fundamental | 60 |
| 7.000 – 8.000 | Fundamental | 50 |
| 8.000 – 11.000 | Fundamental | 45 |
| 11.000 – 12.000 | Fundamental | 40 |
| 12.000 – 15.000 | Fundamental | 35 |
| 15.000 – 36.000 | Fundamental | 30 |
| 27.000 – 70.000 | 3 rd Overtone | 100 |

HOW TO ORDER



VFHH
Leadless SMD Crystal
5.5x12mm



**Recommended
 Solder Pad Layout**

