

OPEN CIRCUITS

7/16 - DIN, DC - 7.5 GHz

SPECIFICATIONS:

Models: 7014, 7014C, 7013, 7013C

RoHS
Compliant

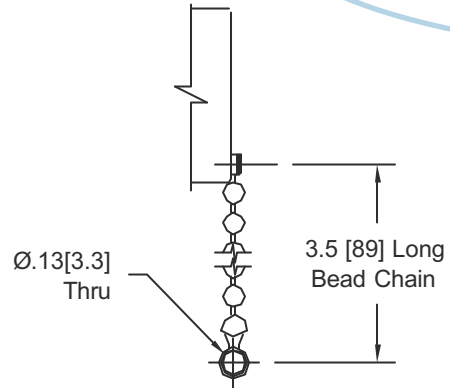
AEROFLEX
A passion for performance.

Electrical:

Frequency Range _____ DC - 7.5 GHz
Reflection _____ 100% Nominal

Mechanical:

7/16- DIN Connectors _____ Silver Plated Brass
Mates with DIN 47 223
Conductors _____ Silver Plated Beryllium Copper
Housing _____ Silver Plated Brass
Bead Chain _____ Passivated Stainless Steel



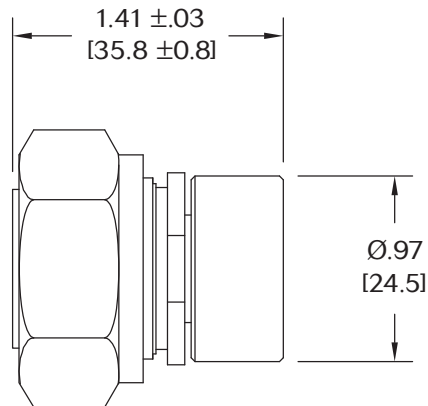
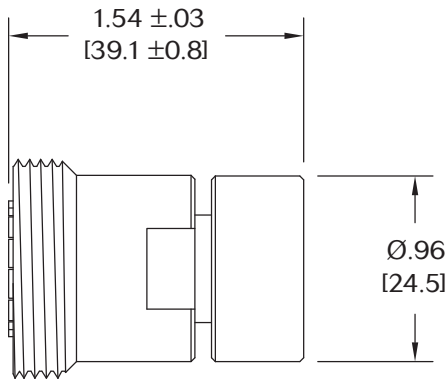
CHAIN DETAIL

Model Number: **7013**

7/16 - DIN Female Connector

Model Number: **7014**

7/16 - DIN Male Connector



HOW TO ORDER:

Model Number: **70XXY**

Base Model Number

7013 = Female
7014 = Male

Style

= No Chain
C = Chain Included

Ordering Examples:

Model Number: **7014C**

DC - 7.5 GHz; 7/16 - DIN Male; Chain Included

Model Number: **7013**

DC - 7.5 GHz; 7/16 - DIN Female; No Chain

Note: Dimensions in Brackets are Expressed in Millimeters and are for Reference Only.
Units that offer very low return loss (VSWR) are also available.

7014-OPN: REV F

AEROFLEX
INMET

Aeroflex / Inmet, Inc. • 300 Dino Drive, Ann Arbor, MI 48103 • U.S.A.
888-244-6638 or 734-426-5553 • FAX: 734-426-5557
www.aeroflex.com/inmet • inmet-sales@eroflex.com