

# Customer Information Sheet

DRAWING No.: S413-XX / S414-XX

SHEET 3 OF 3

IF IN DOUBT - ASK

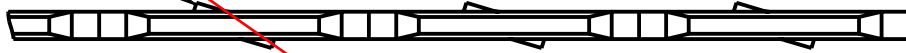
©

NOT TO SCALE

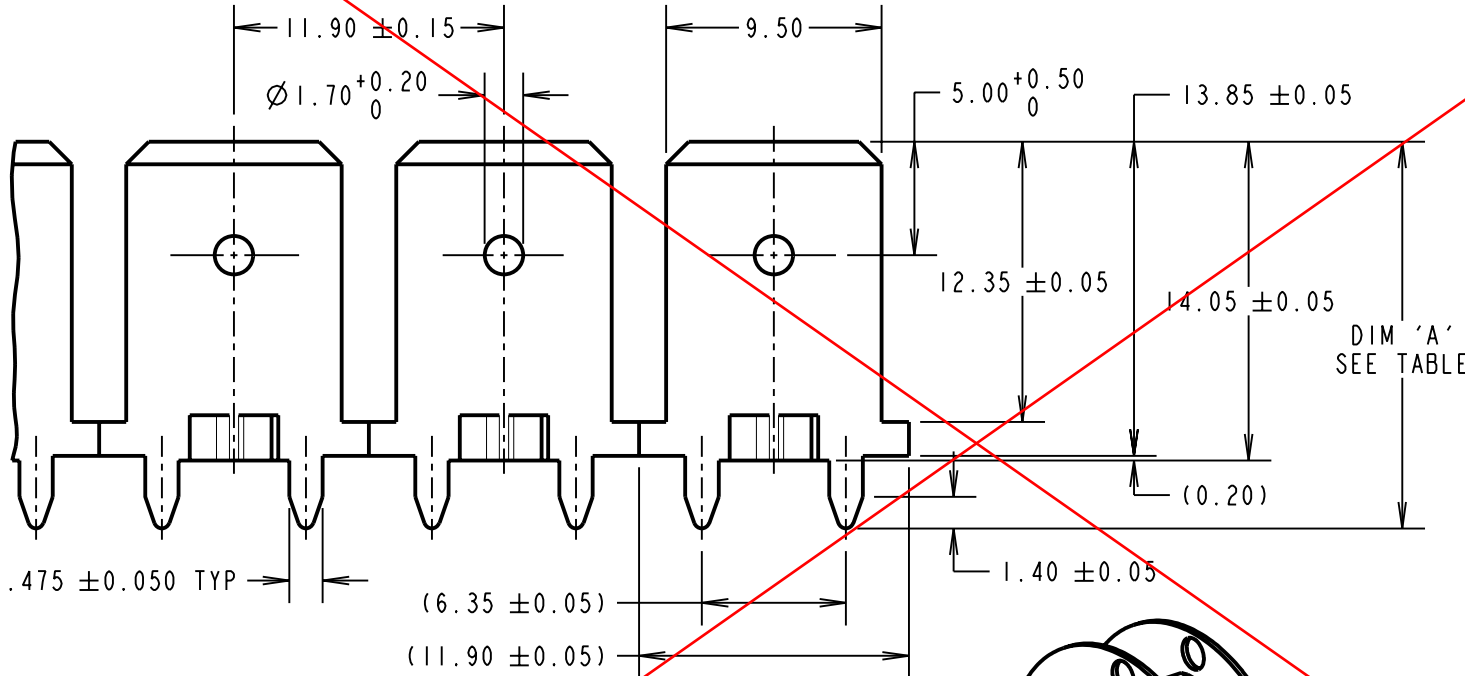
THIRD ANGLE PROJECTION

ALL DIMENSIONS IN mm

SEE NOTE 1



**OBSOLETE**



ORDER CODE:

**S4XX-XX**

TYPE 13 OR 14  
(SEE TABLE)

FINISH:

06 = 4µ 90/10 TIN/LEAD  
46 = 4µ 100% TIN

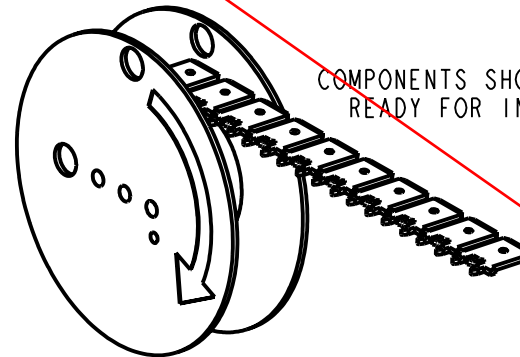
SEE NOTE 1

**NOTES.**

- ANTI-ROCKING FEATURE.
- QUANTITY OF TABS PER REEL = 5,000  
TOTAL WEIGHT PER REEL = 10.58kg (INCLUDING REEL).

PART No. (REELED)	DIM 'A'	MOUNTING HOLE SIZE	PCB THICKNESS
S413-XX	17.05	Ø 1.74 ± 0.06	1.60
S414-XX	17.85	Ø 1.74 ± 0.06	2.40

COMPONENTS SHOWN REELED  
READY FOR INSERTION



CP	17	10.02.10	8128
NAME	ISS.	DATE	C/NOTE
APPROVED: C.PENROSE			
CHECKED: R.ADDE			
DRAWN: I.SANDY			
CUSTOMER REF.:			
ASSEMBLY DRG:			

**HARWIN**

HARWIN USA  
TEL: 603 893 5376  
FAX: 603 893 5396  
mis@harwin.com

HARWIN Europe (UK)  
TEL: 023 9231 4545  
FAX: 023 9231 4590  
mis@harwin.co.uk

HARWIN Asia  
TEL: +65 6 779 4909  
FAX: +65 6 779 3868  
mis@harwin.com.sg

THIS DRAWING AND ANY INFORMATION OR DESCRIPTIVE MATTER SET OUT HEREON ARE CONFIDENTIAL AND COPYRIGHT PROPERTY OF THE HARWIN GROUP AND MUST NOT BE DISCLOSED, LOANED, COPIED OR USED FOR MANUFACTURING, TENDERING OR FOR ANY OTHER PURPOSE WITHOUT THEIR WRITTEN PERMISSION.

TOLERANCES

X. = ±1mm  
X.X = ±0.25mm  
X.XX = ±0.10mm  
X.XXX = ±0.01mm

ANGLES = ±5°  
UNLESS STATED

MATERIAL:  
BRASS CW508L HARD  
TO BS EN 1652: 1998  
(CuZn37 HARD)

FINISH: SEE ABOVE

S/AREA: mm<sup>2</sup>

TITLE:  
9.5mm BLADE VERTICAL  
REELED TAB TERMINAL

DRAWING NUMBER:  
**S413-XX / S414-XX**

SHT  
3 OF 3