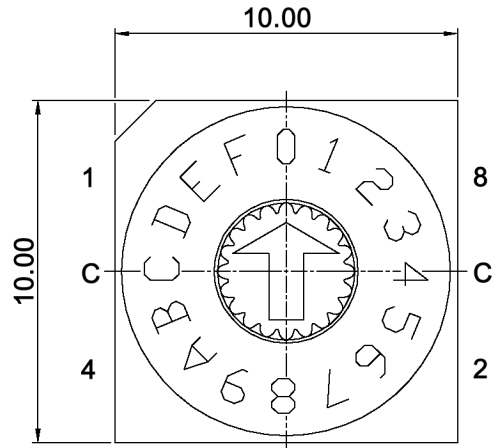
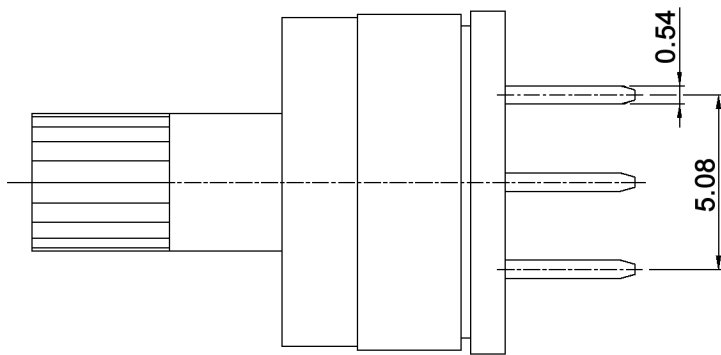
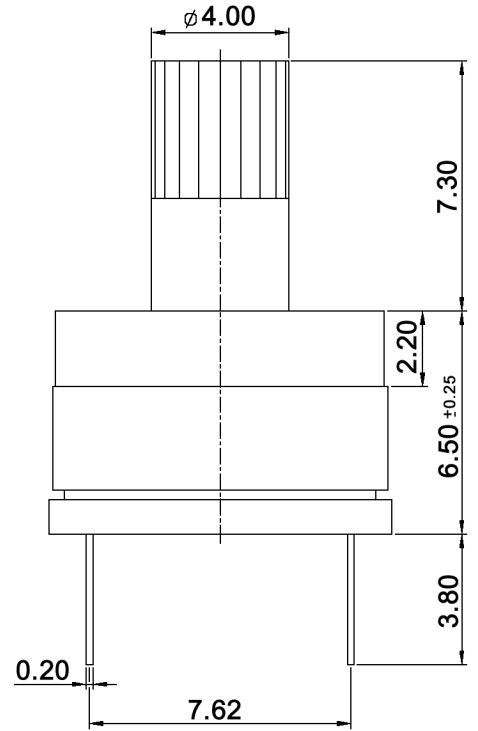
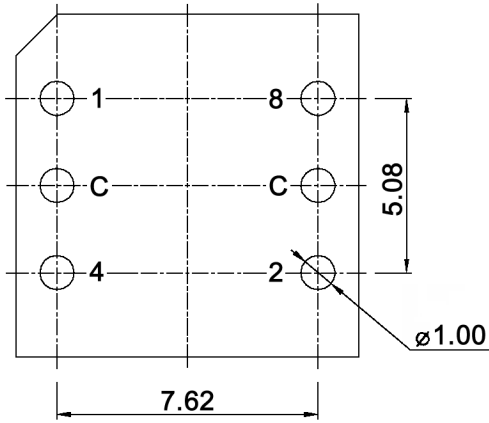


P.C.B. DIMENSION



Tolerances:			Date	Name
			04/07	dr
Soldering conditions	01/11	dr		
IP rating	07/09	dr		
Operating temperature	11/08	dr		
Coding scheme	02/08	dr		
Temperatures	01/08	dr		
Modifications	Date	Name		

DRS 61016

knitter-switch

30 11 10

Page

1/2

Specifications:

Contact rating: switching: 25mA, 24V DC
 non-switching: 100mA, 50V DC

Contact resistance: 80mOhm max.

Insulation resistance: 100MOhm min.

Mechanical life: 10 000 cycles

Operating force: 700gf max.

Operating temperature: -40°C to +85°C

Storage temperature: -40°C to +85°C

Soldering conditions: pre-heat: max. 120°C, max. 70sec.
 wave soldering: max. 260°C, max. 10sec.

Color of actuator: grey

IP rating: IP67

Hexadecimal

		Real coded				
		C	1	2	4	8
16 P o s i t i o n s	0	●				
	1	●	●			
	2	●		●		
	3	●	●	●		
	4	●			●	
	5	●	●		●	
	6	●		●	●	
	7	●	●	●	●	
	8	●				●
	9	●	●			●
	A	●		●		●
	B	●	●	●	●	●
	C	●			●	●
	D	●	●		●	●
	E	●		●	●	●
	F	●	●	●	●	●



Tolerances:			Date	Name	DRS 61016	
			04/07	dr		
			knitter-switch		30 11 10	Page
						2/2
Modifications	Date	Name				