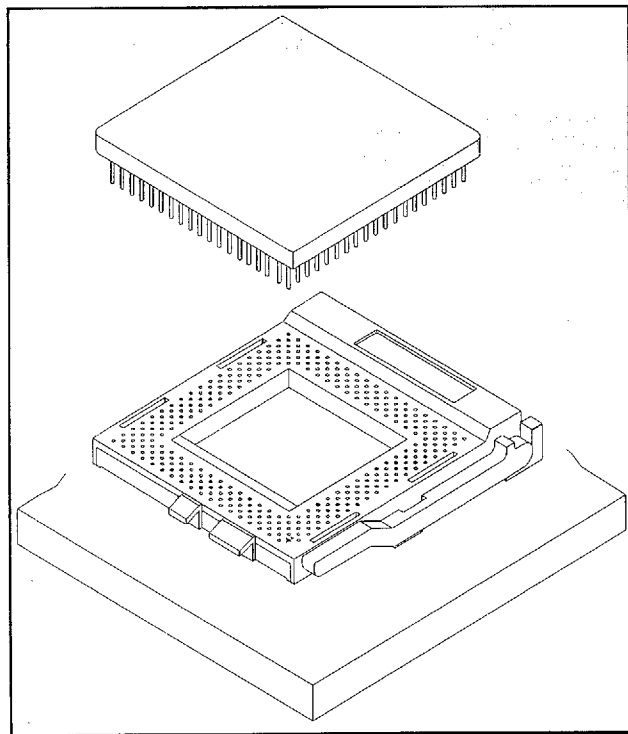


## Features

- ◆ Available in 320(SOCKET5) . 321(SOCKET7) and 370(SOCKET9)
- ◆ Contact: Phosphor bronze
- ◆ Polymer: UL94V-0 , LCP

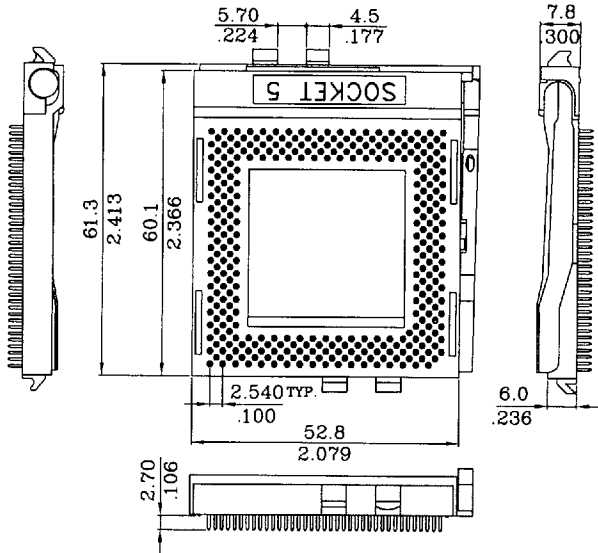


## Specifications

- ◆ Current rating: 1Amp.
- ◆ Temperature rating: -55°C ~ +105°C
- ◆ Contact resistance: 30mΩ max. initial.
- ◆ Insulation resistance: 1,000MΩ min. initial.
- ◆ Withstanding voltage: 600V AC /minute
- ◆ Applicable PC board thickness: 1.6mm

Unit :  $\frac{\text{mm}}{\text{inch}}$

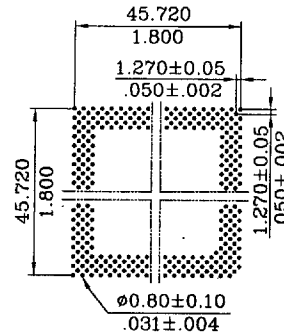
## 8360-320\*10 (SOCKET 5)



## Ordering Information:

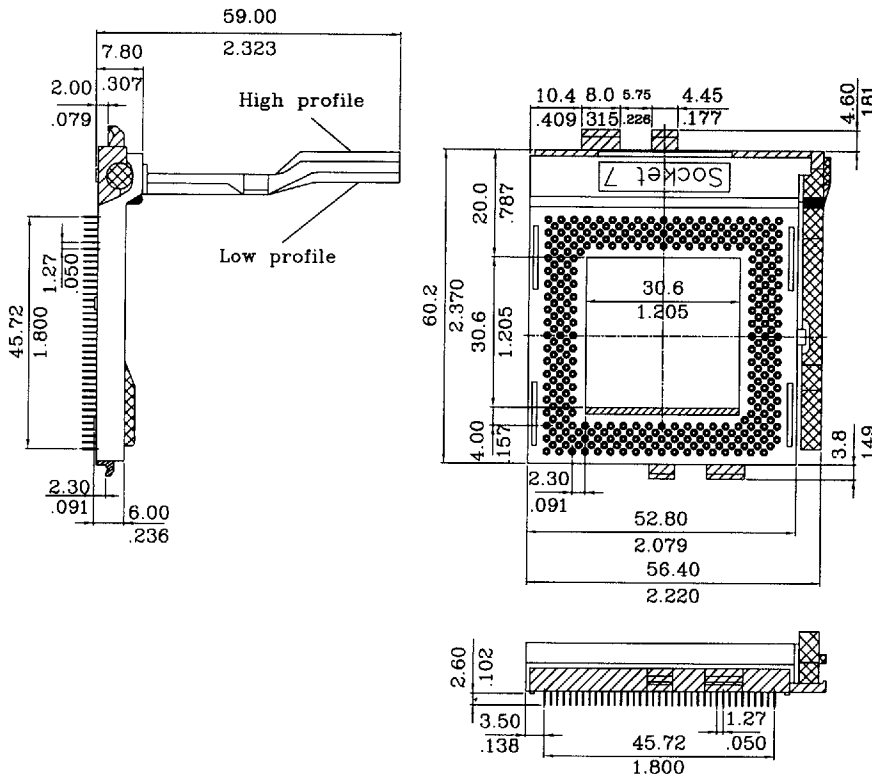
8360- 320 \* 1 0  
1 2 3 4 5

1. Series No.
2. No. of circuits
3. Contact plating:  
 U=Gold flash over 30~50 $\mu$ " nickel overall  
 W=15 $\mu$ " gold over 30~50 $\mu$ " nickel overall  
 Z=30 $\mu$ " gold over 30~50 $\mu$ " nickel overall
4. Color:  
 I=Ivory
5. Special options



## 8360-321\*10 (SOCKET 7)

## RECOMMENDED HOLE PATTERN



# 8310 Series 2.54mm(.100") DRAM Socket

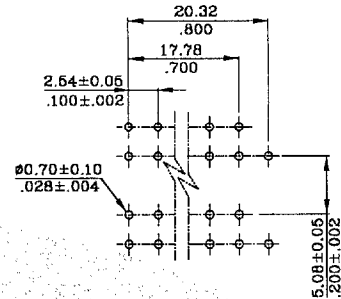
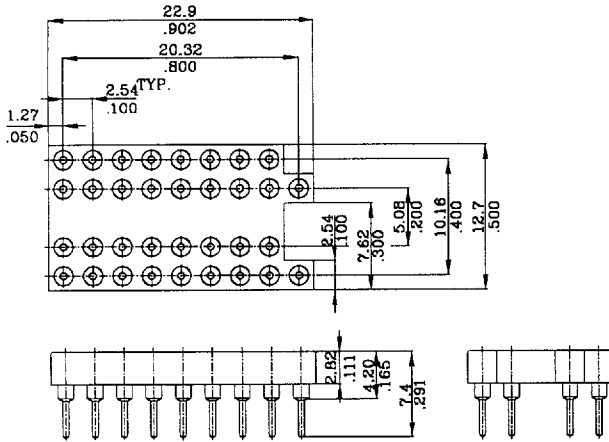
Unit :  $\frac{\text{mm}}{\text{inch}}$

### Ordering Information:

8310 - 34 X 000

1 2 3 4

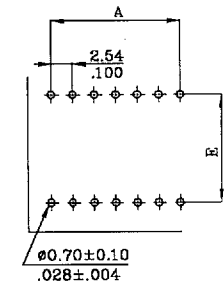
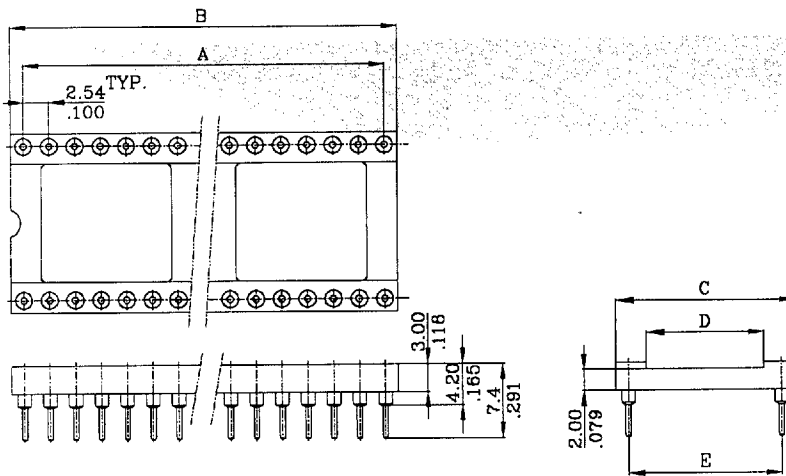
1. Series No.
2. No. of circuits
3. Contact plating  
X = 10  $\mu$ " gold over nickel
4. Special options



RECOMMENDED HOLE PATTERN

# 8320 Series 2.54mm(.100") HI-REL IC Socket, Open Frame

Unit :  $\frac{\text{mm}}{\text{inch}}$



RECOMMENDED HOLE PATTERN

- A = 2.54mm \* (No. of spaces-1)
- B = 2.54mm \* No. of spaces
- C = 10.14mm(.399) (6~20 circuits)  
17.72mm(.698) (24~48 circuits)
- D = 4.04mm(.159) (6~20 circuits)  
11.72mm(.461) (24~48 circuits)
- E = 7.62mm(.300) (6~20 circuits)  
15.24mm(.600) (24~48 circuits)