

PART NUMBER	ITEM ① BODY	ITEM ② INSULATOR	ITEM ③ CONTACT
25-7651	BRASS TIN PLATED	DELRIN	P BRONZE TIN PLATED

**受控 CONTROLLED DOCUMENT**

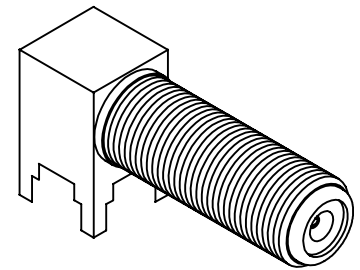
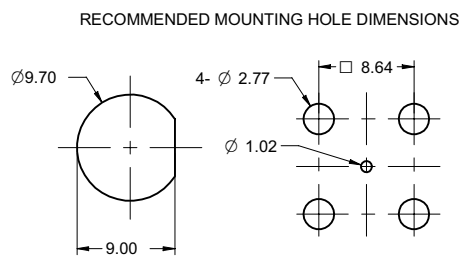
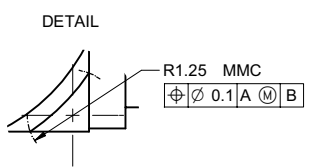
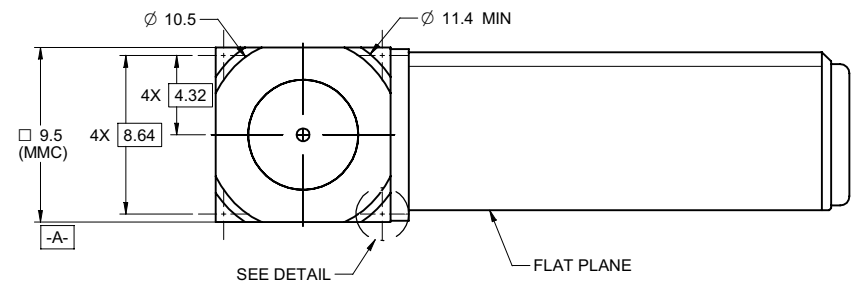
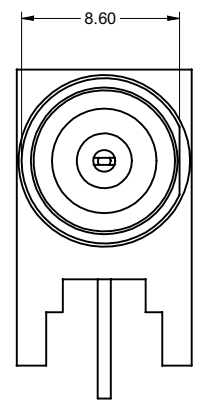
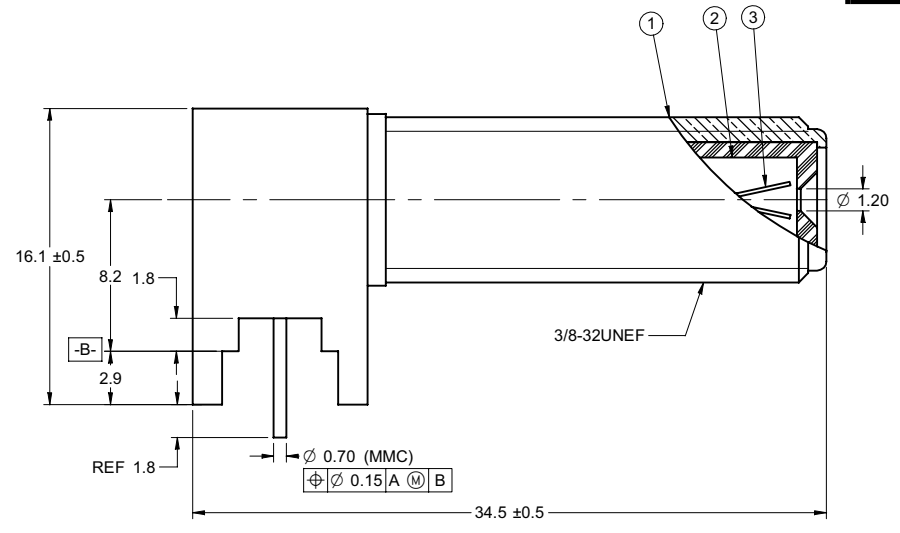
编号 P/N	25-7651	版本 Rev	0C	日期 Rel'd Date	Mar 24,08
-----------	---------	-----------	----	------------------	-----------

DRAWING NO.  
25-7651

**REVISIONS**

RELEASE FOR QUATION					
A	05-26-06	Y	W	T	
CHANGE SOME TOLERANCE AND ADD 4, 5 NOTES.					
B	12-18-06	L	Y	T	
UPDATE NOTE					
C	08-31-07	L	Z	T	

Thomas Clow  
2007.09.24  
16:45:40 - 08/07



NOTES:  
TECHNICAL REQUIREMENT REFER TO EMERSON NET WORK POWER CONNECTIVITY SOLUTIONS DOCUMENT P/N 25-0000.

THIS DRAWING TO BE INTERPRETED PER ANSI Y 14.5M - 1994

**COMPANY CONFIDENTIAL**

TOLERANCE UNLESS OTHERWISE SPECIFIED		DRAWN BY LINDA.WU	DATE 08-31-07
DECIMALS	mm	CHECKED BY GARY.ZHG	DATE 08-31-07
X	± 0.5	APPROVED BY THOMAS	DATE 09-20-07
X.X	± 0.2	U/M	mm
X.XX	± 0.1		
ANGLES	± 0.5°		

**EMERSON**  
Network Power

**Connectivity Solutions**

TITLE  
RIGHT ANGLE PCB MOUNT F FEMALE

THIS DRAWING WAS PRODUCED BY COMPUTER, DO NOT SCALE DRAWING OR UPDATE MANUALLY.		SHEET 1 OF 1	DRAWING NO. 25-7651	SIZE C
---	--	-----------------	------------------------	-----------