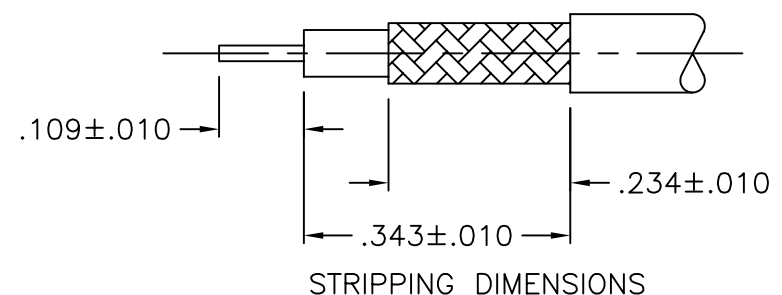
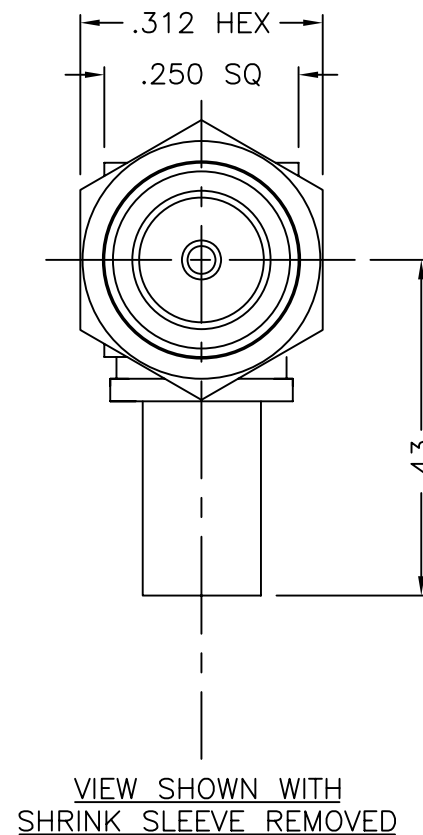
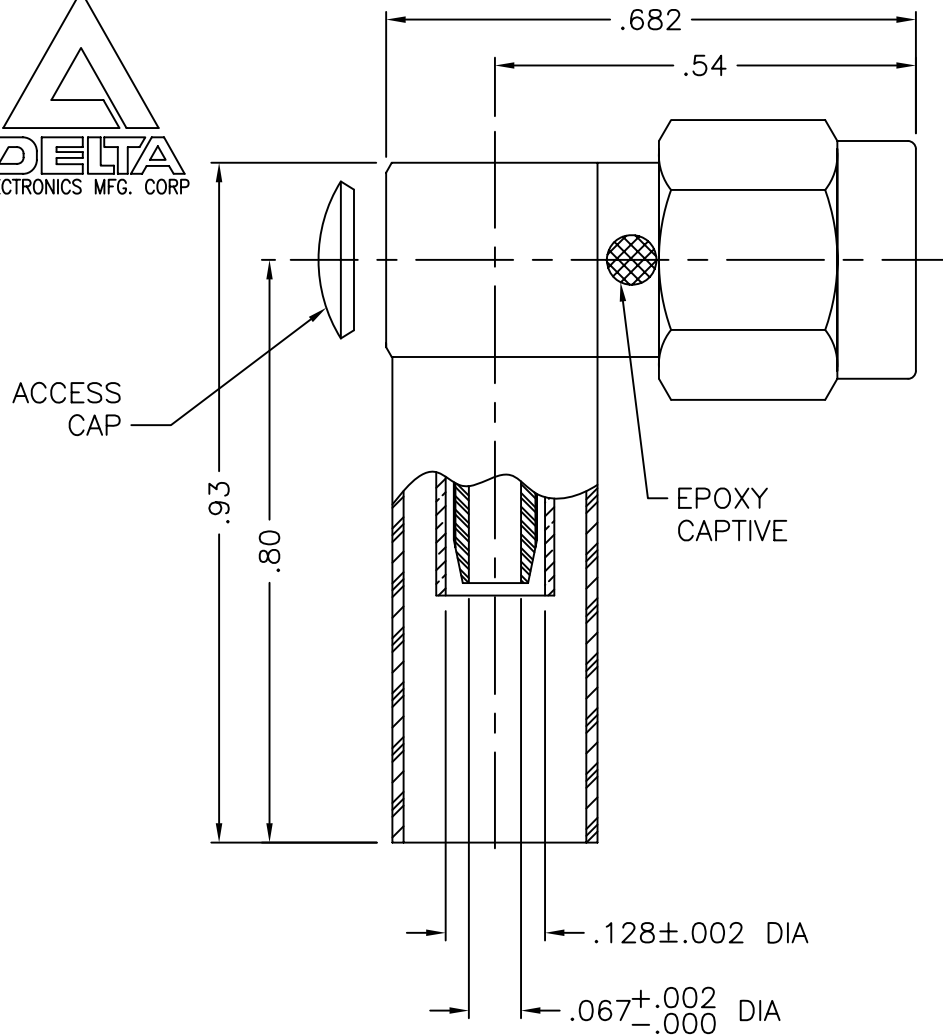




1307-036-G001



**NOTES:**

1. ASSEMBLED CONNECTOR INTERFACE IS DESIGNED IN ACCORDANCE WITH MIL-STD-348.
2. MATERIAL: CAP & CONTACT - BRASS PER ASTM B16  
 INSULATOR - TEFLON PER ASTM D4894  
 GASKET - SILICONE RUBBER PER ZZ-R-765  
 CRIMP SLEEVE - D.H.P. COPPER CDA ALLOY 122  
 SHRINK SLEEVE - SHRINKABLE POLYOLEFIN PER MIL-I-23053/5  
 ALL OTHER METAL PARTS - CORROSION RESISTANT STEEL PER ASTM A582
3. FINISHES: BODY, HEX NUT & LOCKWASHER - NICKEL PLATE PER SAE-AMS-QQ-N-290  
 CONTACT - GOLD PLATE PER ASTM B488  
 CRIMP SLEEVE - SULFAMATE NICKEL PLATE PER MIL-P-27418
4. RECOMMENDED CRIMP TOOL: M22520/5-01, DIE SET M22520/5-35, CLOSURE B.

UNLESS OTHERWISE SPECIFIED: TOLERANCES: 3 PLACES = ±.005, 2 PLACES = ±.02, ANGLES = ±1/2°, SURFACE FINISH = 63

C	REVISED	4/15/08
B	REVISED	1/30/07
A	REVISED	8/21/97
-	OUTLINE	1/1/96
ALT.	REVISIONS	DATE

DELTA ELECTRONICS MFG. CORP. Beverly, MA 01915				
TITLE: SMA RIGHT ANGLE CRIMP PLUG FOR RG-174 179B, 187A, 188A, 316/U CABLES - CAPTIVE CONTACT				
Drawn by BJM 4/15/08	Scale 8/1	Ckd. by MR	Engr Appd MR	FILE NAME: 1307036G001-000T

THESE DRAWINGS AND SPECIFICATIONS ARE THE PROPERTY OF DELTA ELECTRONICS MFG CORP. AND SHALL NOT BE REPRODUCED, OR COPIED OR USED AS THE BASIS FOR THE MANUFACTURE OR SALE OF APPARATUS OR DEVICES WITHOUT THEIR EXPRESS WRITTEN CONSENT.

CODE IDENT.-00795

1307-036-G001