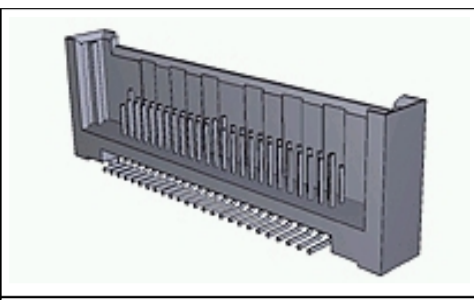


5788643 - 1 Product Details

Live Product Chat US Only
8:30am - 5pm ET, Mon - Fri



5788643 - 1

[Active](#)

Removable Memory Products

[Always EU RoHS/ELV Compliant](#) ([Statement of Compliance](#))

Product Highlights:

- ? Number of Positions = 50
- ? Format = CompactFlash™
- ? CompactFlash™ Product Type = Header Only
- ? Header Type = Type I, Type II
- ? Lead Type = Surface Mount - Staggered leads

[View all Features](#) | [Find Similar Products](#)

Quick Links

- [Check Pricing & Availability](#)
- [Search for Tooling Product Feature Selector](#)
- [Contact Us About This Product](#)

Documentation & Additional Information

Product Drawings:

- ? [PIN HEADER ASSEMBLY, VERTICAL, 50 POSITION, SURFACE ...](#) (PDF, English)
- ? [ASSY, 1.00MM FFC CONN SMT, V \(NON -ZIF\)](#) (TIF, English)

Catalog Pages/Data Sheets:

- ? None Available

Product Specifications:

- ? None Available

Application Specifications:

- ? None Available

Instruction Sheets:

- ? None Available

CAD Files: ([CAD Format & Compression Information](#))

- ? [2D Drawing](#) (DXF, Version 0)
- ? [3D Model](#) (IGES, Version 0)
- ? [3D Model](#) (STEP, Version 0)

Related Products:

- ? [Tooling](#)

[List all Documents](#)

Product Features

(Please use the Product Drawing for all design activity)

Product Type Features:

- ? [Number of Positions](#) = 50
- ? Mount Angle = Vertical
- ? Holddowns = Without
- ? Shielded = No
- ? Color = Black

Mechanical Attachment:

- ? Mounting Style = Top (Printed Circuit Board)

Termination Related Features:

- ? Solder Tail Contact Plating = Tin

Body Related Features:

- ? CompactFlash™ Product Type = Header Only
- ? Header Type = Type I, Type II
- ? Lead Type = Surface Mount - Staggered leads
- ? PCB Offset (mm [in]) = 0.00 [0.000]
- ? Number of Rows = Dual
- ? Centerline (mm [in]) = 1.27 [0.050]

Contact Related Features:

- ? Contact Mating Area Plating Material = Gold (30)
- ? Vacuum Tape = Without
- ? Region = Americas
- ? Contact Material = Brass
- ? Contact Underplating = Nickel (50)

Housing Related Features:

- ? Housing Material = Liquid Crystal Polymer (LCP)
- ? Housing Flammability Rating = UL 94V -0

Industry Standards:

- ? [RoHS/ELV Compliance](#) = RoHS compliant, ELV compliant
- ? [Lead Free Solder Processes](#) = Reflow solder capable to 245°C, Reflow solder capable to 260°C
- ? RoHS/ELV Compliance History = Always was RoHS compliant

Conditions for Usage:

- ? Format = CompactFlash™

Packaging Related Features:

- ? Packaging Method = Tube

Other:

- ? Brand = AMP