

Couldn't load plugin.

- Home
- About Us
- News
- Product
- Factory Tour
- Guestbook
- Contact Us

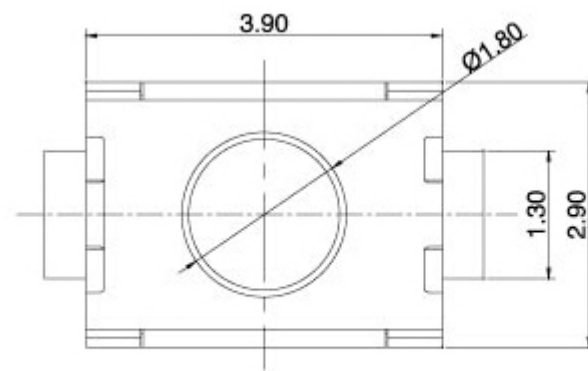
Product Profile

Product PROFILE >> TACT SWITCH

TS007-S160B2C20C

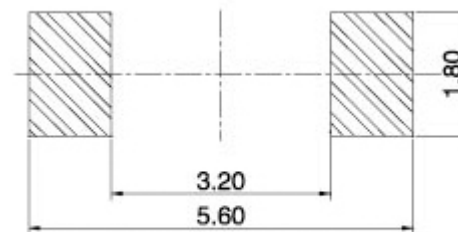
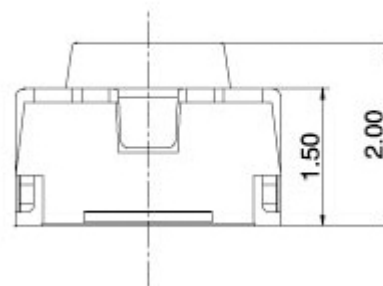
[close]

None PDF

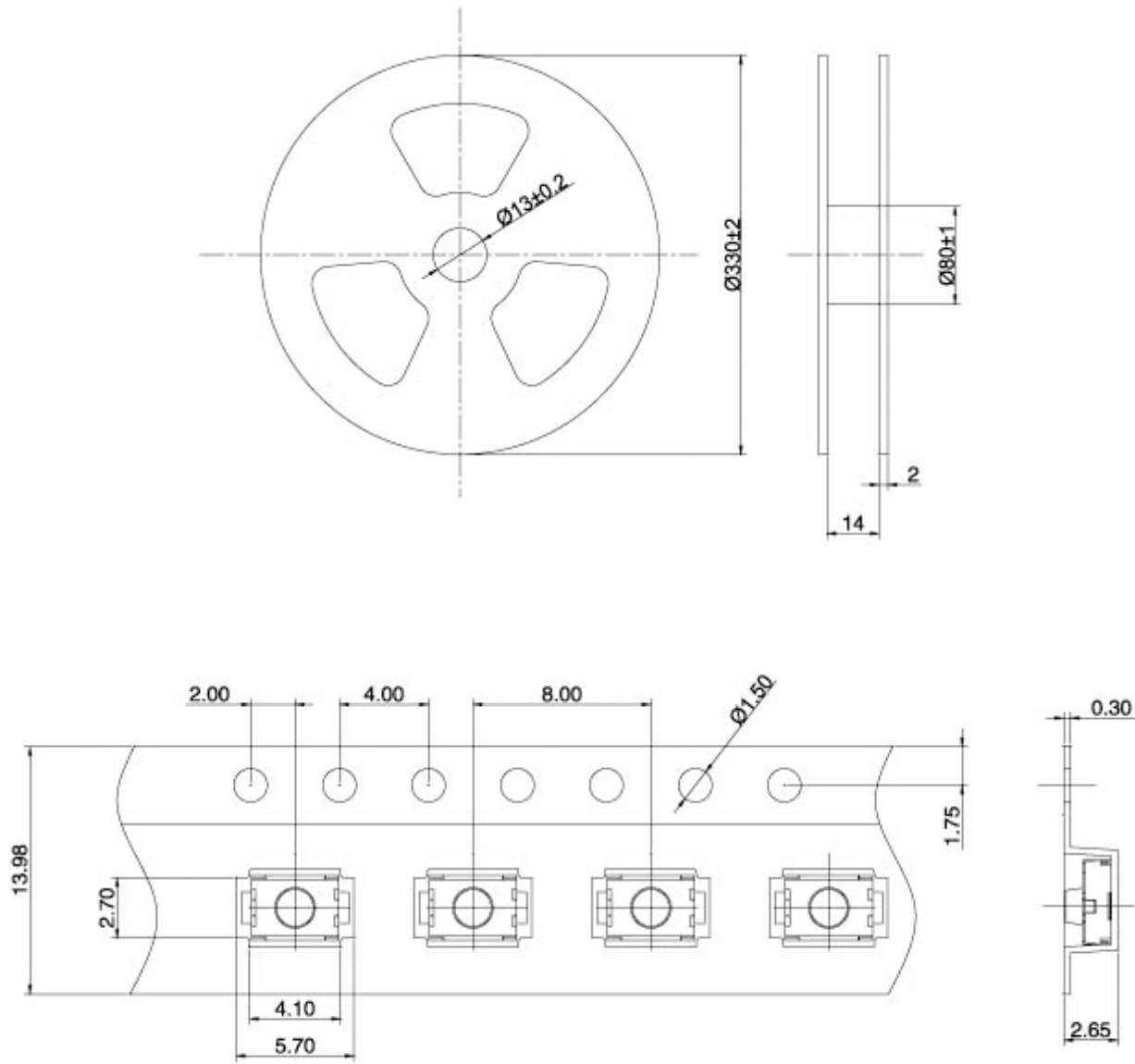


Circuit diagram

- 1. Rating: DC 12V 50mA ;
- 2. Contact Resistance: 100mΩ Max ;
- 3. Insulation Resistance: 100MΩ Min ;
- 4. Operating Force: 100 ± 30gf;  
160 ± 30gf;  
250 ± 50gf;
- 5. Life: 50,000 cycles ;  
80,000 cycles ;  
100,000 cycles ;
- 6. Travel: 0.25 ± 0.1mm .



P.C.B diagram



None PDF [close]

TACT SWITCH SERIES

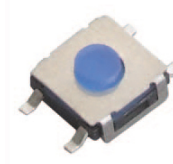
TS Common	
TS001	TS002
TS003	TS004
TS005	TS006
TS007	TS008
TS009	TS010
TS011	TS012
TS013	TS014
TS015	TS016
TS017	TS018
TS019	TS020
TS021	TS022
TS023	TS024
TS025	TS026
TS027	TS028
TS029	TS030
TS031	TS032
TS033	TS034
TS035	TS036
TS037	TS038
TS039	TS040
TS041	TS042
TS043	TS044
TS045	TS046
TS047	TS048
TS049	TS050
TS051	TS052
TS053	TS054
TS055	TS056
TS057	TS058
TS059	TS060
TS061	TS062
TS063	TS064
TS065	TS066
TS067	TS068
TS069	TS070
TS071	TS072
TS073	TS074
TS075	TS076
TS077	TS078
TS079	TS080
TS081	TS082
TS083	TS084
TS085	TS086
TS087	TS088
TS089	TS090
TS091	TS092
TS093	TS094
TS095	TS096
TS097	TS098
TS099	TS100



SK001-H160B2C95A



SK002-H160B2C950A



SK017-S160BL2C35C



TS003-G160W0S38C



TS004

TS Common

Copyright © 2007-2008 Xiamen Golden-Switch Electronics Co., Ltd

Tel: +86(592)2651300 Fax: +86(592)2651333 E-mail: [switch@golden-switch.com](mailto:switch@golden-switch.com)

Technical support [Dabo.cn](http://Dabo.cn)