

Customer Information Sheet

DRAWING No.: S423-XX

SHEET 2 OF 3

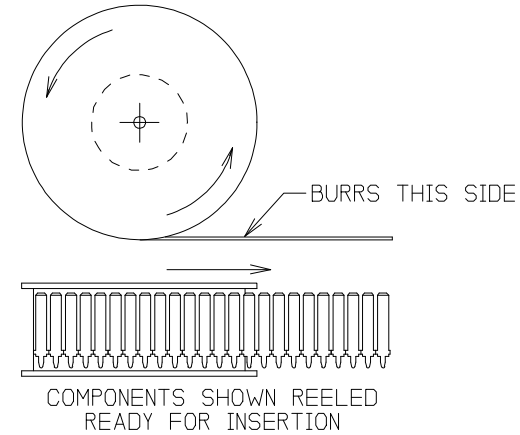
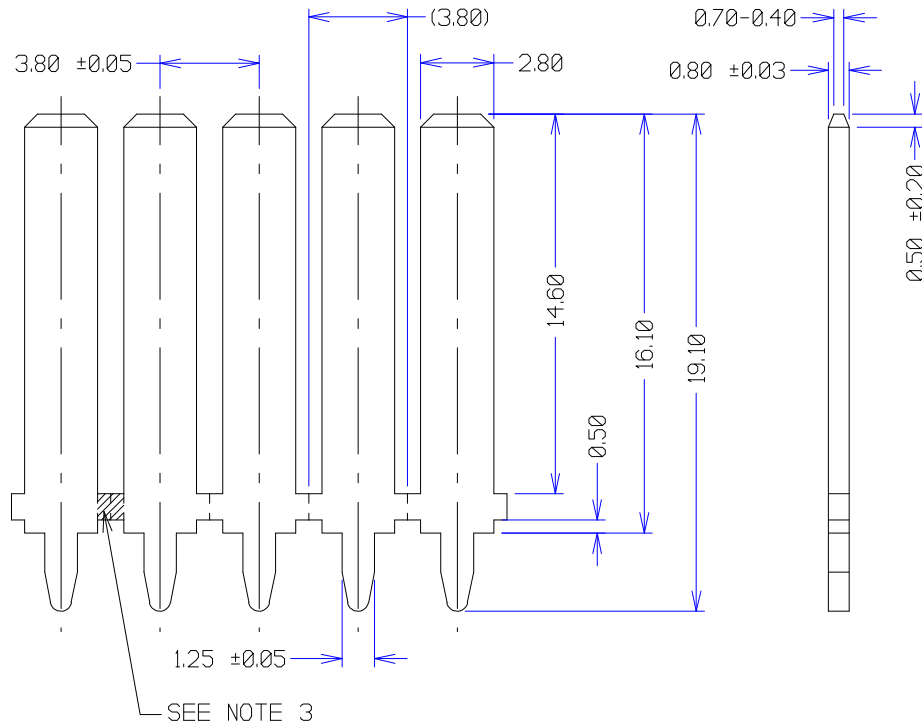
IF IN DOUBT - ASK

©

NOT TO SCALE

THIRD ANGLE PROJECTION

ALL DIMENSIONS IN mm



NOTES.

1. RECOMMENDED MOUNTING HOLE SIZE = $\varnothing 1.30 \pm 0.06$.
2. QUANTITY OF TABS PER REEL = 35K.
TOTAL WEIGHT PER REEL = 15Kg (INCLUDING REEL).
3. THIS SECTION CAN BE CROPPED OUT WITH THE APPROPRIATE TOOLING.

ORDER CODE:
S423-XX
FINISH: _____
00 - UNPLATED
06 - TIN/LEAD

B	09.04.99	4843
ISS.	DATE	C/NOTE
APPROVED:		
CHECKED:		
DRAWN: W. J. BOURNE		
CUSTOMER REF.:		
ASSEMBLY DRG:		

HARWIN

HARWIN INC
U.S.A.
TEL: (812) 285 0055
FAX: (812) 285 0056

HARWIN PLC
U.K.
TEL: 01705 370451
FAX: 01705 314590

HARWIN PTE
SINGAPORE
TEL: 65 7794909
FAX: 65 7793868

THIS DRAWING AND ANY INFORMATION OR DESCRIPTIVE MATTER SET OUT HEREON ARE CONFIDENTIAL AND COPYRIGHT PROPERTY OF THE HARWIN GROUP AND MUST NOT BE DISCLOSED, LOANED, COPIED OR USED FOR MANUFACTURING, TENDERING OR FOR ANY OTHER PURPOSE WITHOUT THEIR WRITTEN PERMISSION.

TOLERANCES
X. = ± 1 mm
X.X = ± 0.25 mm
X.XX = ± 0.10 mm
X.XXX = ± 0.01 mm
ANGLES = $\pm 1^\circ$
UNLESS STATED

MATERIAL:
BRASS CZ108 HARD

FINISH: SEE ABOVE

S/AREA: mm²

TITLE:
2.0mm BLADE VERTICAL
REELED TERMINAL

DRAWING NUMBER:

S423-XX

SHT
2
OF
3