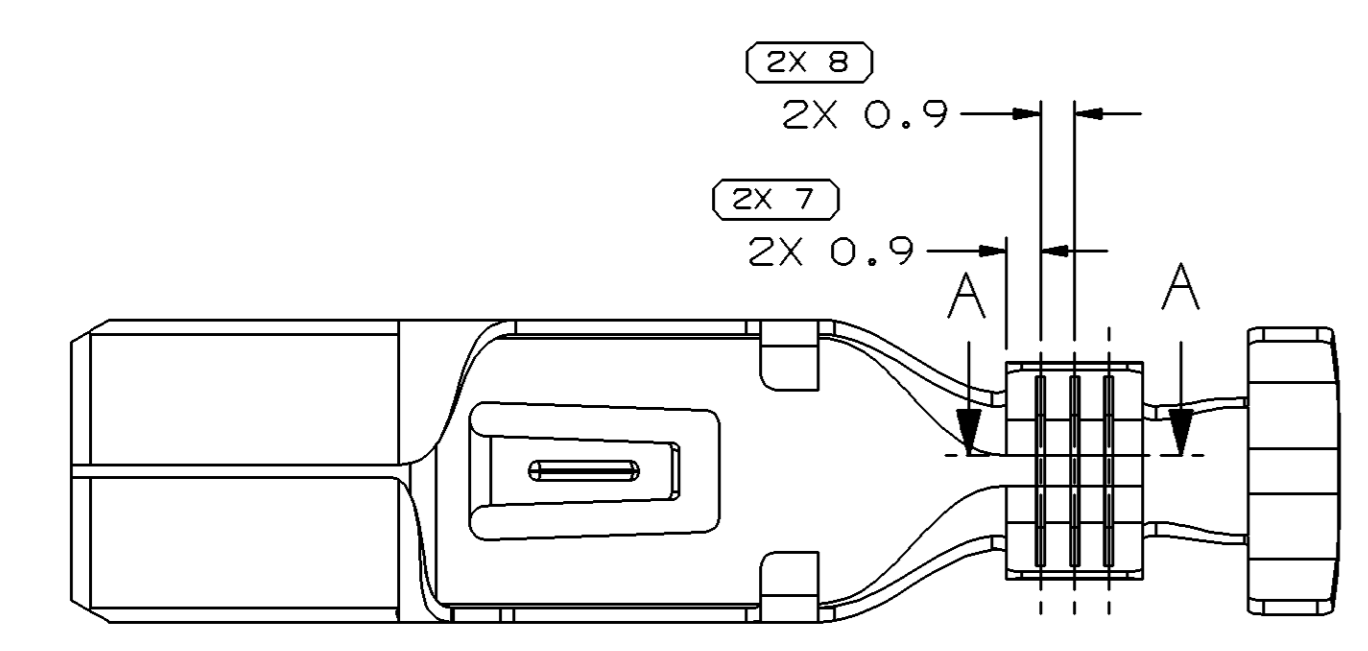


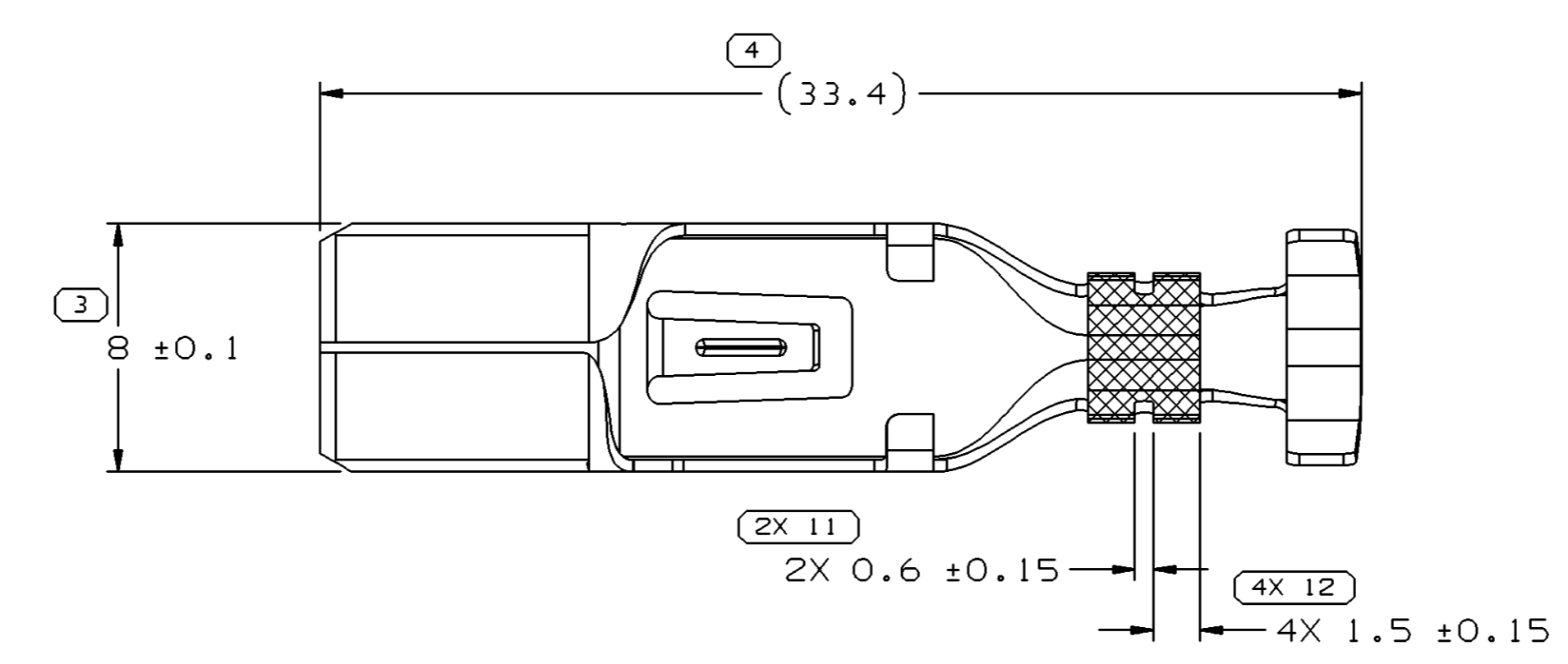
SECTION A - A



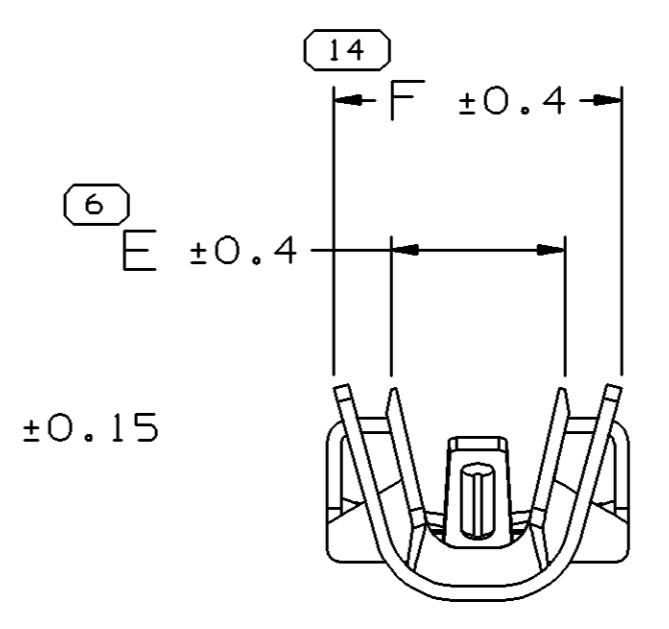
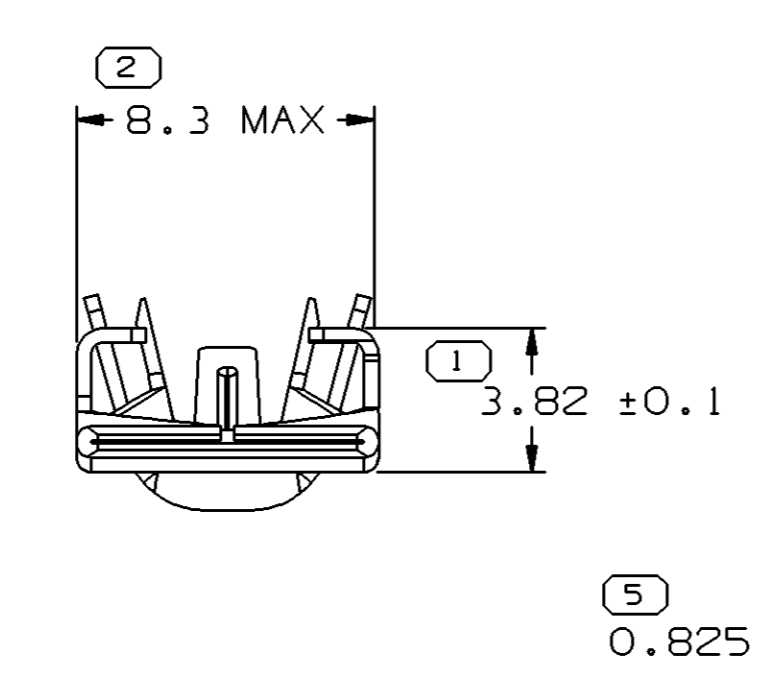
TYPE 102
SAME AS TYPE 101
EXCEPT AS SHOWN

SYMBOL DEFINITION		MISSING SYMBOLS	
A DIMENSION WITHOUT AN INSPECTION REPORT SYMBOL DOES NOT REQUIRE INSPECTION. IT MAY BE CONTROLLED ON THE INDIVIDUAL COMPONENT DRAWING.	TOTAL NO OF INSPECTIONS REQUIRED	NO MISSING SYMBOL NUMBER	25
	LAST NO. USED		14

DWG STATUS					ZONE	REVISION HISTORY	AUTH	DR	APVD 1	APVD 2
DATE	STG	REV	N/P	CHG						
09N004	R	01	-	-		CLEARED REVISION COLUMN - REDRAWN; ADDED PART 13515733	261148	RH	RH	LN
13JA05	R	02	-	-		REVISED TOLERANCES	263356	MM	MM	LN



TYPE 101



NOTES

- UNLESS OTHERWISE SPECIFIED AND/OR INDICATED: DIMENSIONS ARE TO FACE OF VIEW SHOWN AND AUTOMATICALLY ROUNDED BY COMPUTER FOR INSPECTION (SEE MATH MODEL FOR PRECISE DIMENSIONS). FOR ALL OTHER DIMENSIONS NOT SHOWN BUT REQUIRED FOR TOOL BUILD, SEE MATH MODEL FOR PRECISE TOOL PATH DATA.
- VISIBLE CRACKS ARE NOT PERMISSIBLE

PART NO	REV	N/P	STATUS	MATERIAL SPEC AND SIZE	TYPE	CABLE SIZE MM²	CABLE DIA	CABLE I.D. NO.	E	F	M
13515733	01	AA		M3626336 - 0.381 X 42.47	102	6	4 - 4.3	9	5.7	7.6	-
12089260	B1	-		M3626336 - 0.381 X 42.47	101	3	3.2±0.2	12	4.6	6	2
12059942	D1	-		M3626336 - 0.381 X 42.47	101	2 - 1	3.225±0.745	15	3.7	6	1.7
12059941	D1	-		M3626336 - 0.381 X 42.47	101	5 - 3	4.44±0.95	11	4.6	7.6	2

PROCESS SENSITIVE DIMENSION	
FROM	TO
0	12
12	>12
DIMENSIONAL RANGE (MM) CHART D	
TOLERANCE UNLESS OTHERWISE SPECIFIED	
±0.1	±0.2
ANGULAR TOLERANCE ±2°	

DWG TYPE		PART DRAWING	
STYLE		D	
VOLUME (CM³)		DISTR CODE	
UNLESS OTHERWISE SPECIFIED		THIS DOCUMENT IS IN ACCORDANCE WITH ASME Y14.5M-1994 AS AMENDED BY THE GM GLOBAL DIMENSIONING AND TOLERANCING ADDENDUM-2001. SEPARATE PATTERNS OF FEATURES MAY BE GAGED SEPARATELY REGARDLESS OF DATUM REFERENCES.	
ALL DIMENSIONS ARE IN MILLIMETERS		THIRD ANGLE PROJECTION	
REFERENCE		DO NOT SCALE	
		UNIGRAPHICS	

DELPHI
DELPHI PACKARD ELECTRIC SYSTEMS
WARREN, OH

DR	LYLE E TURKSON	DATE	280C85
APVD1	F. HESTON		06N085
APVD2	A. HERRMANN		07N085
APVD3	R. PETROSKY		07N085
APVD4			
APVD5			

SUBSTANCES OF CONCERN AND RECYCLED CONTENT PER DELPHI 10949001

MATERIAL SEE CHART

DRAWING NAME TAXI TERM M/P 800

DRAWING NUMBER 12059940

SIZE	A1	SCALE	5:1	FRAME NO	1 OF 1	SHEET NO	1 OF 1	STG	R	REV	02	N/P	-
------	----	-------	-----	----------	--------	----------	--------	-----	---	-----	----	-----	---