

54ACT11521, 74ACT11521 8-BIT IDENTITY COMPARATORS

SCAS023A - D2957, JULY 1978 - REVISED APRIL 1993

- Compares Two 8-Bit Words
- Inputs Are TTL-Voltage Compatible
- Flow-Through Architecture Optimizes PCB Layout
- Center-Pin V_{CC} and GND Configurations Minimize High-Speed Switching Noise
- EPIC™ (Enhanced-Performance Implanted CMOS) 1- μ m Process
- 500-mA Typical Latch-Up Immunity at 125°C
- Package Options Include Plastic Small-Outline Packages, Plastic Shrink Small-Outline Packages, Ceramic Chip Carriers, and Standard Plastic and Ceramic 300-mil DIPs

description

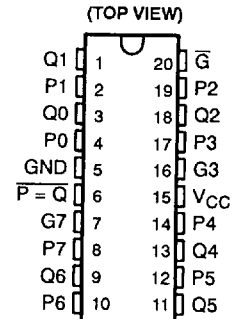
These identity comparators perform comparisons on two 8-bit binary or BCD words. Also included is a $\overline{P=Q}$ totem-pole output.

The 54ACT11521 is characterized for operation over the full military temperature range of -55°C to 125°C. The 74ACT11521 is characterized for operation from -40°C to 85°C.

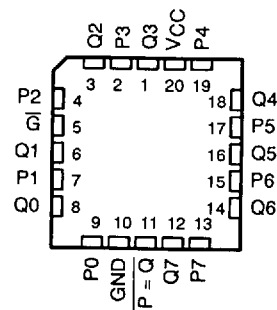
FUNCTION TABLE

INPUTS		OUTPUT $\overline{P=Q}$
DATA P, Q	ENABLE \overline{G}	
P = Q	L	L
P > Q	L	H
P < Q	L	H
X	H	H

54ACT11521 . . . J PACKAGE
74ACT11521 . . . DB, DW OR N PACKAGE



54ACT11521 . . . FK PACKAGE
(TOP VIEW)



EPIC is a trademark of Texas Instruments Incorporated.

PRODUCTION DATA information is current as of publication date. Products conform to specifications per the terms of Texas Instruments standard warranty. Production processing does not necessarily include testing of all parameters.

TEXAS
INSTRUMENTS

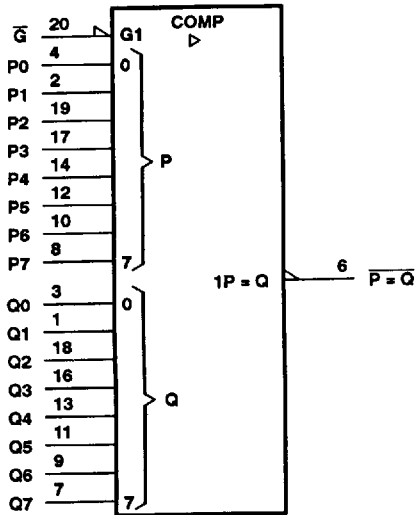
POST OFFICE BOX 655303 • DALLAS, TEXAS 75265

Copyright © 1993, Texas Instruments Incorporated

54ACT11521, 74ACT11521 8-BIT IDENTITY COMPARATORS

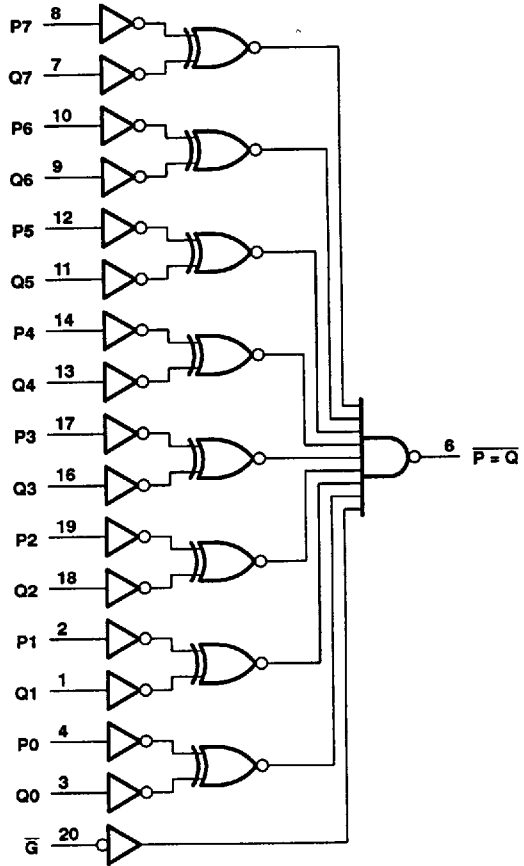
SCAS023A - D2957, JULY 1978 - REVISED APRIL 1993

logic symbol†



† This symbol is in accordance with ANSI/IEEE Std 91-1984 and IEC Publication 617-12.

logic diagram (positive logic)



Pin numbers shown are for the DW, J, and N packages.

absolute maximum ratings over operating free-air temperature range (unless otherwise noted)‡

Supply voltage range, V_{CC}	-0.5 V to 6 V
Input voltage range, V_I (see Note 1)	-0.5 V to $V_{CC} + 0.5$ V
Output voltage range, V_O (see Note 1)	-0.5 V to $V_{CC} + 0.5$ V
Input clamp current, I_{IK} ($V_I < 0$ or $V_I > V_{CC}$)	± 20 mA
Output clamp current, I_{OK} ($V_O < 0$ or $V_O > V_{CC}$)	± 50 mA
Continuous output current, I_O ($V_O = 0$ to V_{CC})	± 50 mA
Continuous current through V_{CC} or GND	± 100 mA
Storage temperature range	-65°C to 150°C

‡ Stresses beyond those listed under "absolute maximum ratings" may cause permanent damage to the device. These are stress ratings only and functional operation of the device at these or any other conditions beyond those indicated under "recommended operating conditions" is not implied. Exposure to absolute-maximum-rated conditions for extended periods may affect device reliability.

NOTE 1: The input and output voltage ratings may be exceeded if the input and output current ratings are observed.

8961723 0094622 798

TEXAS
INSTRUMENTS

POST OFFICE BOX 655303 • DALLAS, TEXAS 75265

54ACT11521, 74ACT11521 8-BIT IDENTITY COMPARATORS

SCAS023A - D2957, JULY 1978 - REVISED APRIL 1993

recommended operating conditions

	54ACT11521			74ACT11521			UNIT
	MIN	NOM	MAX	MIN	NOM	MAX	
V _{CC} Supply voltage	4.5	5	5.5	4.5	5	5.5	V
V _{IH} High-level input voltage	2			2			V
V _{IL} Low-level input voltage	0.8			0.8			V
V _I Input voltage	0	V _{CC}		0	V _{CC}		V
V _O Output voltage	0	V _{CC}		0	V _{CC}		V
I _{OH} High-level output current	-24			-24			mA
I _{OL} Low-level output current	24			24			mA
Δt/Δv Input transition rise or fall rate	0	10		0	10		ns/V
T _A Operating free-air temperature	-55		125	-40		85	°C

electrical characteristics over recommended operating free-air temperature range (unless otherwise noted)

PARAMETER	TEST CONDITIONS	V _{CC}	T _A = 25°C			54ACT11521		74ACT11521		UNIT
			MIN	TYP	MAX	MIN	MAX	MIN	MAX	
V _{OH}	I _{OH} = -50 μA	4.5 V	4.4			4.4		4.4	V	
		5.5 V	5.4			5.4		5.4		
	I _{OH} = -24 mA	4.5 V	3.94			3.7		3.8		
		5.5 V	4.94			4.7		4.8		
		5.5 V				3.85		3.85		
V _{OL}	I _{OL} = 50 μA	4.5 V		0.1		0.1		0.1	V	
		5.5 V		0.1		0.1		0.1		
	I _{OL} = 24 mA	4.5 V		0.36		0.5		0.44		
		5.5 V		0.36		0.5		0.44		
		5.5 V				1.65				
5.5 V					1.65					
I _I	V _I = V _{CC} or GND	5.5 V		±0.1		±1		±1	μA	
I _{CC}	V _I = V _{CC} or GND, I _O = 0	5.5 V		8		160		80	μA	
ΔI _{CC} †	One input at 3.4 V, Other inputs at GND or V _{CC}	5.5 V		0.9		1		1	mA	
C _i	V _I = V _{CC} or GND	5 V		4					pF	

† Not more than one output should be tested at a time, and the duration of the test should not exceed 10 ms.

‡ This is the increase in supply current for each input that is at one of the specified TTL voltage levels rather than 0 V or V_{CC}.

switching characteristics over recommended ranges of supply voltage and operating free-air temperature (unless otherwise noted) (see Figure 1)

PARAMETER	FROM (INPUT)	TO (OUTPUT)	T _A = 25°C			54ACT11521		74ACT11521		UNIT
			MIN	TYP	MAX	MIN	MAX	MIN	MAX	
t _{PLH}	P or Q	P = Q	1.5	8.8	13	1.5	15.9	1.5	14.7	ns
t _{PHL}			1.5	8.2	12	1.5	14.6	1.5	13.6	
t _{PLH}	Q̄	P = Q̄	1.5	6.7	9.3	1.5	11.2	1.5	10.5	ns
t _{PHL}			1.5	6.8	8.8	1.5	10.2	1.5	9.7	



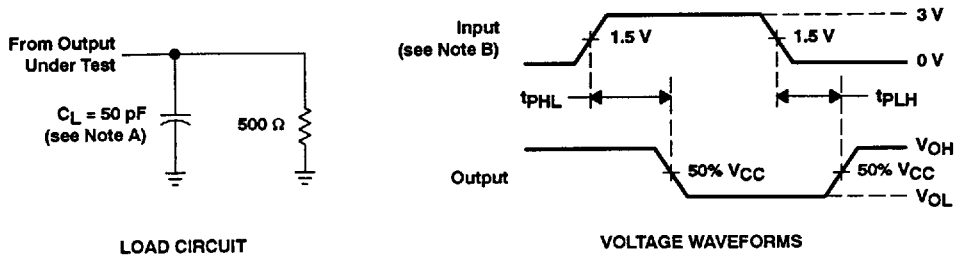
54ACT11521, 74ACT11521 8-BIT IDENTITY COMPARATORS

SCAS023A - D2957, JULY 1978 - REVISED APRIL 1993

operating characteristics, $V_{CC} = 5\text{ V}$, $T_A = 25^\circ\text{C}$

PARAMETER	TEST CONDITIONS	TYP	UNIT
C_{pd} Power dissipation capacitance	$C_L = 50\text{ pF}$, $f = 1\text{ MHz}$	40	pF

PARAMETER MEASUREMENT INFORMATION



- NOTES: A. C_L includes probe and jig capacitance.
 B. Input pulses are supplied by generators having the following characteristics: $PRR \leq 10\text{ MHz}$, $Z_O = 50\ \Omega$, $t_r = 3\text{ ns}$, $t_f = 3\text{ ns}$.
 C. The outputs are measured one at a time with one input transition per measurement.

Figure 1. Load Circuit and Voltage Waveforms

8961723 0094624 560

TEXAS
INSTRUMENTS

POST OFFICE BOX 655303 • DALLAS, TEXAS 75265