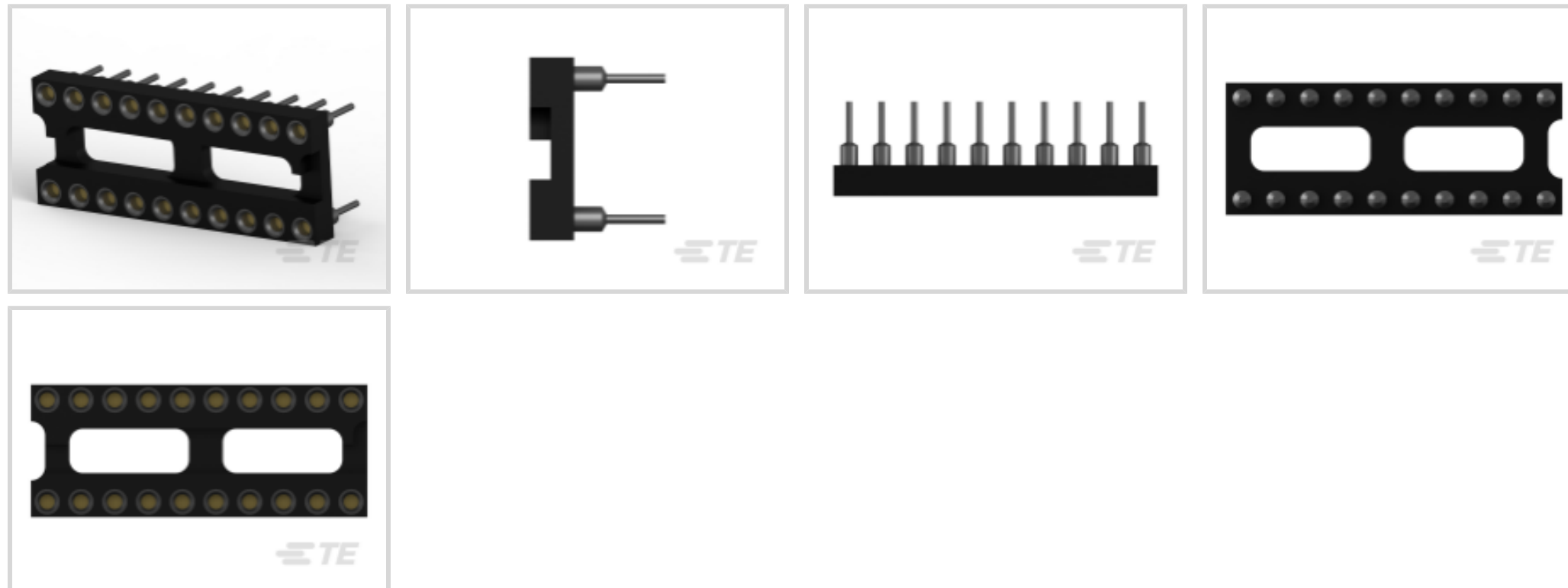




Connectors > Card & Socket Connectors > IC Sockets > DIP Sockets



DIP Socket Type: **Open Frame**

Contact Fabrication: **Stamped & Formed**

Number of Positions: **20**

Profile: **Standard**

Row-to-Row Spacing: **7.62 mm [.3 in]**

Features

Product Type Features

DIP Socket Type	Open Frame
Profile	Standard
Row-to-Row Spacing	7.62 mm [.3 in]
Leg Style	Straight
Connector & Contact Terminates To	Printed Circuit Board
Product Type	Socket

Configuration Features

Number of Positions	20
Number of Rows	2

Electrical Characteristics

Contact Resistance	10 mΩ
Insulation Resistance	5000 MΩ

Body Features

Sleeve Material	Brass
Sleeve Plating Material	Tin



Frame Style	Ladder
-------------	--------

Color	Black
-------	-------

Contact Features

Socket Style	Standard
--------------	----------

Mating Contact Type	Four-Fingered
---------------------	---------------

PCB Contact Termination Area Plating Material	Tin
---	-----

Contact Base Material	Beryllium Copper
-----------------------	------------------

Contact Fabrication	Stamped & Formed
---------------------	------------------

Contact Mating Area Plating Material	Gold
--------------------------------------	------

Contact Mating Area Plating Thickness	5 µin
---------------------------------------	-------

Contact Current Rating (Max)	3 A
------------------------------	-----

Socket Type	DIP
-------------	-----

Contact Type	Pin
--------------	-----

Termination Features

Contact Termination Type	Through Hole
--------------------------	--------------

Termination Post Length	3.18 mm[.125 in]
-------------------------	------------------

Mechanical Attachment

PCB Mount Retention	Without
---------------------	---------

Mounting Angle	Vertical
----------------	----------

Connector Mounting Type	Board Mount
-------------------------	-------------

Mating Alignment Type	Polarization
-----------------------	--------------

Mating Alignment	With
------------------	------

Housing Features

Centerline (Pitch)	2.54 mm[.1 in]
--------------------	----------------

Housing Material	Thermoplastic Polyester
------------------	-------------------------

Dimensions

Height Above PC Board	2.67 mm[.105 in]
-----------------------	------------------

1 in

Usage Conditions

Operating Temperature Range	-55 – 105 °C[-67 – 221 °F]
-----------------------------	----------------------------

Operation/Application

Circuit Application	Signal
---------------------	--------



Industry Standards

UL Flammability Rating	UL 94V-0
------------------------	----------

Packaging Features

Packaging Method	Box & Tube, Tube
Packaging Quantity	24

Product Compliance

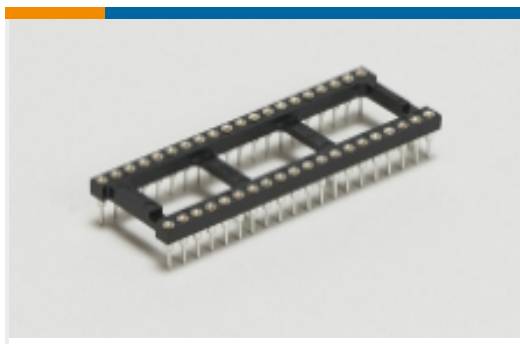
[For compliance documentation, visit the product page on TE.com>](#)

EU RoHS Directive 2011/65/EU	Compliant
EU ELV Directive 2000/53/EC	Compliant
China RoHS 2 Directive MIIT Order No 32, 2016	No Restricted Materials Above Threshold
EU REACH Regulation (EC) No. 1907/2006	Current ECHA Candidate List: JAN 2019 (197) Candidate List Declared Against: JAN 2018 (181)
Halogen Content	Not Low Halogen - contains Br or Cl > 900 ppm.
Solder Process Capability	Wave solder capable to 265°C

Product Compliance Disclaimer

This information is provided based on reasonable inquiry of our suppliers and represents our current actual knowledge based on the information they provided. This information is subject to change. The part numbers that TE has identified as EU RoHS compliant have a maximum concentration of 0.1% by weight in homogenous materials for lead, hexavalent chromium, mercury, PBB, PBDE, DBP, BBP, DEHP, DIBP, and 0.01% for cadmium, or qualify for an exemption to these limits as defined in the Annexes of Directive 2011/65/EU (RoHS2). Finished electrical and electronic equipment products will be CE marked as required by Directive 2011/65/EU. Components may not be CE marked. Additionally, the part numbers that TE has identified as EU ELV compliant have a maximum concentration of 0.1% by weight in homogenous materials for lead, hexavalent chromium, and mercury, and 0.01% for cadmium, or qualify for an exemption to these limits as defined in the Annexes of Directive 2000/53/EC (ELV). Regarding the REACH Regulations, TE's information on SVHC in articles for this part number is still based on the European Chemical Agency (ECHA) 'Guidance on requirements for substances in articles' (Version: 2, April 2011), applying the 0.1% weight on weight concentration threshold at the finished product level. TE is aware of the European Court of Justice ruling of September 10th, 2015 also known as O5A (Once An Article Always An Article) stating that, in case of 'complex object', the threshold for a SVHC must be applied to both the product as a whole and simultaneously to each of the articles forming part of its composition. TE has evaluated this ruling based on the new ECHA "Guidance on requirements for substances in articles" (June 2017, version 4.0) and will be updating its statements accordingly.

Also in the Series | [DIPLOMATE 800 Series](#)



DIP Sockets(60)

Customers Also Bought



TE Part #2-1571552-4
816-AG11D-ESL-LF=800
DIP,GF/SN



TE Part #2-1571552-3
814-AG11D-ESL-LF=800
DIP,GF/SN



TE Part #2-1761603-3
IDC LOW PRO HDR 10P
VERT BLUE



TE Part #5-826629-0
50P AMPMODU II PIN
HDR.



TE Part #2-1571552-2
808-AG11D-ESL-LF=800
DIP,GF/SN



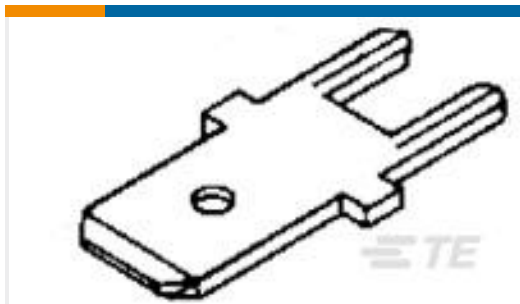
TE Part #1676153-2
RN 0805 10K 0.1% 10PPM
1KRL



TE Part #281695-3
HEADER HE14 STRAIGHT
3 P



TE Part #826629-2
2P AMPMODU II



TE Part #726386-2
FASTON 250 TAB .032
TPBR



TE Part #1-1337482-0
SMB Str PCB Skt 50Ohm
Gold Plt

Documents

Product Drawings

820-AG11D-ESL-LF=800 DIP,GF/SN

English

CAD Files

3D PDF

3D

Customer View Model

ENG_CVM_CVM_2-1571552-6_E.2d_dxf.zip



English

Customer View Model

[ENG_CVM_CVM_2-1571552-6_E.3d_igs.zip](#)

English

Customer View Model

[ENG_CVM_CVM_2-1571552-6_E.3d_stp.zip](#)

English

Datasheets & Catalog Pages

[DIP Sockets Quick Reference Guide \(EN\)](#)

English

Product Environmental Compliance

[TE Material Declaration](#)

English