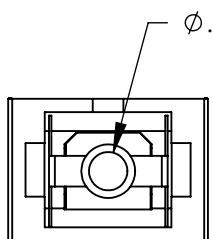
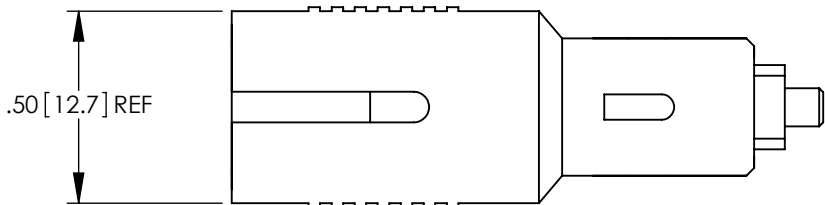
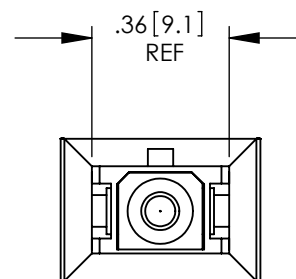
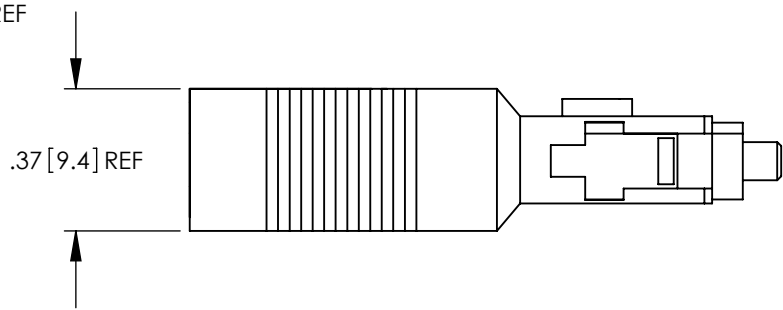


THE INFORMATION CONTAINED IN THIS DRAWING IS THE SOLE PROPERTY OF L-COM, INC. ANY REPRODUCTION IN PART OR WHOLE WITHOUT THE WRITTEN PERMISSION OF L-COM, INC. IS PROHIBITED.

REVISIONS			
REV	DESCRIPTION	DATE	APPROVED
A	INITIAL RELEASE	10/29/07	D.FRISIELLO
B	ECN 3067: UPDATE DRAWING NOTES	11/1/07	D.GRIFFIN
C	ECN3399: CHNGD DIMS TO REF.	06/19/08	D. PARHAM



SC JACK



SC PLUG

MODEL	ATTENUATION	BACK REFLECTION
FOATSCA-05D	5dB	≤ -60dB
FOATSCA-10D	10dB	≤ -60dB
FOATSCA-15D	15dB	≤ -60dB
FOATSCA-20D	20dB	≤ -60dB
FOATSCA-25D	25dB	≤ -60dB

ALL DIMENSIONS FOR REFERENCE ONLY

RoHS Compliant ✓

- NOTES:
- ATTENUATOR UTILIZES "APC" POLISH.
 - ATTENUATOR IS PACKAGED TWO WITH DUST CAPS INSTALLED (NOT SHOWN).
 - OPERATING TEMPERATURE RANGE: -40° C TO +75° C.
 - SINGLEMODE WAVELENGTH RANGE: 1310-1550 nm.

UNLESS OTHERWISE SPECIFIED, DIMENSIONS ARE IN INCHES [mm]	APPROVALS	DATE		45 BEECHWOOD DRIVE NORTH ANDOVER, MA 01845	
	DRAWN BY D.FRISIELLO	10/29/07			
OVERALL CABLE LENGTH TOLERANCE: ≤12 [305] = +1 [25] / -0 >12 [305] ≤60 [1524] = +2 [51] / -0 >60 [1524] ≤120 [3048] = +4 [102] / -0 >120 [3048] ≤300 [7620] = +6 [152] / -0 >300 [7620] = +5% / -0%	CHECKED BY D.CASTRO	10/29/07	CATEGORY		
	APPROVED BY P.McNEIL	10/29/07	FIBER OPTICS		
ALL OTHER DIMENSIONAL TOLERANCES: .X = .3 .XX = .15	CONFIGURATION DETAILS OF UNDIMENSIONED FEATURES MAY VARY		PRODUCT DESCRIPTION		
PROJECTION	COLOR VARIATIONS MAY OCCUR		FIBER SC ATTENUATOR		
	SIZE	FSCM NO.	DWG. NO.	REV.	
REF	A	43321	FOATSCA	C	
	SCALE: NONE	CAD FILE: FOATSCA.SLDDRW	SHEET 1 OF 1		