



PART NO. : TG1G-E005J24RL

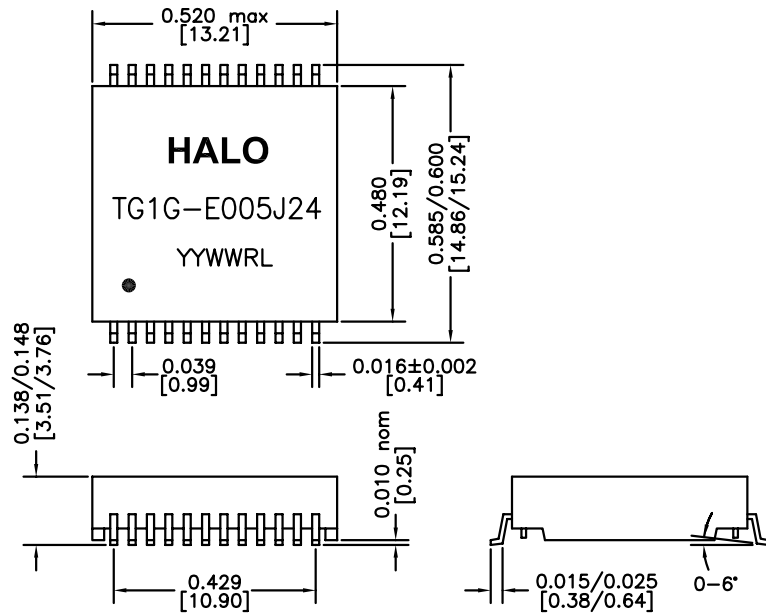
24PIN SMT ISOLATION MODULE

DESIGNED FOR SINGLE-PORT GIGABIT OR
DUAL-PORT FAST ETHERNET APPLICATIONS

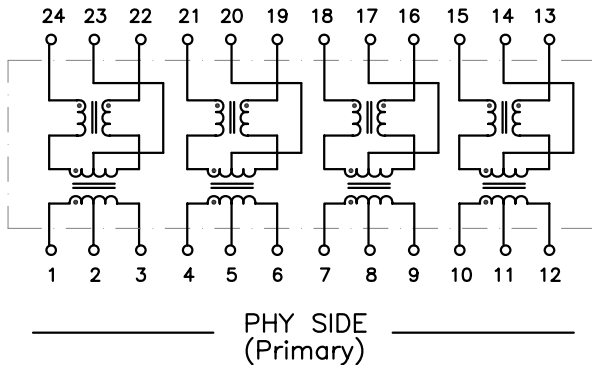
RoHS COMPLIANT

COMPATIBLE TO LEAD-FREE SOLDERING PROCESS
CONDITION PER IPC/JEDEC J-STD-020C

EXTENDED OPERATING TEMPERATURE -40/+85°C



DIMENSIONS: Inch [mm]
CO-PLANARITY: 0.004 [0.10]
TOLERANCES: ±0.005 INCH IF NOT SPECIFIED



ELECTRICAL SPECIFICATIONS @ 25° C

URNS RATIO	1CT:1CT ±3%
ACL (100KHz,0.1V,8mA)	350µH min
DCR (PRI)	1.3Ω max
LL (1MHz,0.1V)	0.4µH max
Cw/w	30pF max
INSERTION LOSS	
1-100MHz	-1.1dB max
RETURN LOSS	
1-40MHz	-18dB min
60MHz	-14dB min
80MHz	-12dB min
100MHz	-10dB min
CROSSTALK 1-100MHz	-40dB typ
CMR 1-100MHz	-40dB typ
ISOLATION	1,500Vrms



HALO/PBL

CALIFORNIA, USA
KOWLOON, HONG KONG
SINGAPORE

TITLE	ISOLATION MODULE		SIGNATURES	DATE	REV.	DESC.	DATE
FOR	1000BASE-T		DRAWN	PETER LU	5/25/06	A	FIRST ISSUE 5/25/06
PART NO.	TG1G-E005J24RL		CHECKED	LEI KEONG	10/2/09	B	PROD. RELEASE 10/2/09
SCALE	NONE	PAGE	1 OF 1		APPROVED	PETER LU	10/2/09
			FILE	E005J24RL.DWG			

Mouser Electronics

Authorized Distributor

Click to View Pricing, Inventory, Delivery & Lifecycle Information:

[HALO Electronics:](#)

[TG1G-E005J24RL](#)