



Wire & Cable > Primary Wire



Primary Wire Cable Type: **Spec 99M**

Primary Wire Insulation Material: **Radiation-Crosslinked, Modified Polyester**

Primary Wire Voltage Rating: **750 VAC**

Primary Wire Conductor Material: **Tin Plated Copper**

Operating Temperature Range: **-55 – 120 °C**

Features

Product Type Features

Primary Wire Cable Type	Spec 99M
-------------------------	----------

Electrical Characteristics

Primary Wire Voltage Rating	750 VAC
-----------------------------	---------

Body Features

Primary Wire Insulation Material	Radiation-Crosslinked, Modified Polyester
Primary Wire Conductor Material	Tin Plated Copper

Usage Conditions

Operating Temperature Range	-55 – 120 °C
-----------------------------	--------------

Product Compliance

[For compliance documentation, visit the product page on TE.com>](#)

EU RoHS Directive 2011/65/EU	Compliant
EU ELV Directive 2000/53/EC	Compliant
China RoHS 2 Directive MIIT Order No 32, 2016	No Restricted Materials Above Threshold
EU REACH Regulation (EC) No. 1907/2006	Current ECHA Candidate List: JUN 2020 (209) Candidate List Declared Against: JUN 2020 (209) Does not contain REACH SVHC

Halogen Content	Out of Scope - excluded from Halogen requirements
-----------------	---

Solder Process Capability	Not applicable for solder process capability
---------------------------	--

Product Compliance Disclaimer

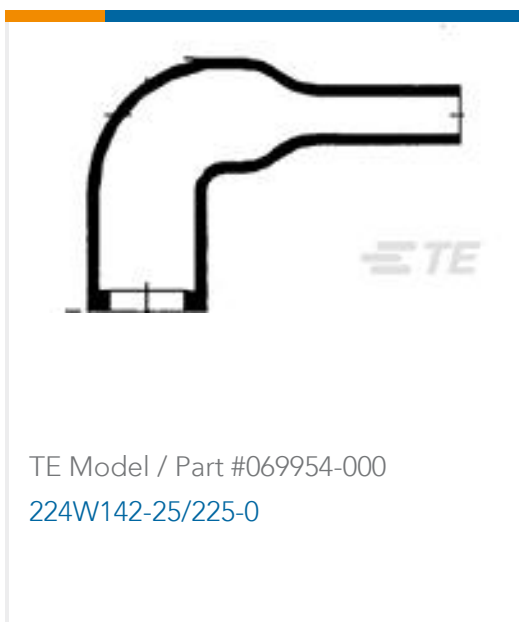
This information is provided based on reasonable inquiry of our suppliers and represents our current actual knowledge based on the information they provided. This information is subject to change. The part numbers that TE has identified as EU RoHS compliant have a maximum concentration of 0.1% by weight in homogenous materials for lead, hexavalent chromium, mercury, PBB, PBDE, DBP, BBP, DEHP, DIBP, and 0.01% for cadmium, or qualify for an exemption to these limits as defined in the Annexes of Directive 2011/65/EU (RoHS2). Finished electrical and electronic equipment products will be CE marked as required by Directive 2011/65/EU. Components may not be CE marked. Additionally, the part numbers that TE has identified as EU ELV compliant have a maximum concentration of 0.1% by weight in homogenous materials for lead, hexavalent chromium, and mercury, and 0.01% for cadmium, or qualify for an exemption to these limits as defined in the Annexes of Directive 2000/53/EC (ELV). Regarding the REACH Regulation, the information TE provides on SVHC in articles for this part number is based on the latest European Chemicals Agency (ECHA) 'Guidance on requirements for substances in articles' posted at this URL: <https://echa.europa.eu/guidance-documents/guidance-on-reach>

Compatible Parts

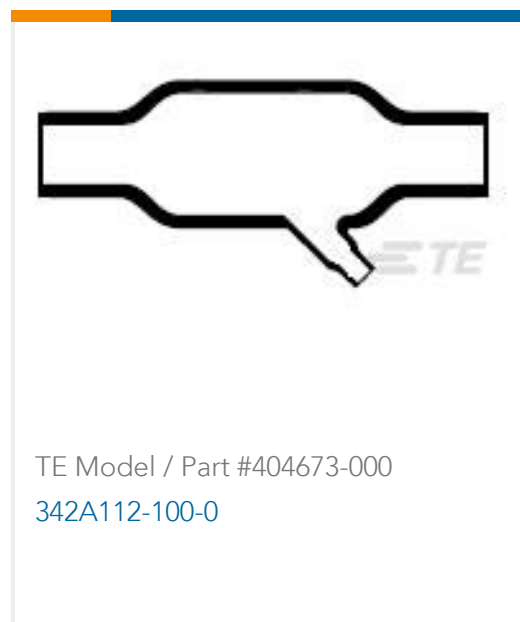


TE Model / Part # 650074-000
D-436-36

Customers Also Bought



TE Model / Part #069954-000
224W142-25/225-0



TE Model / Part #404673-000
342A112-100-0



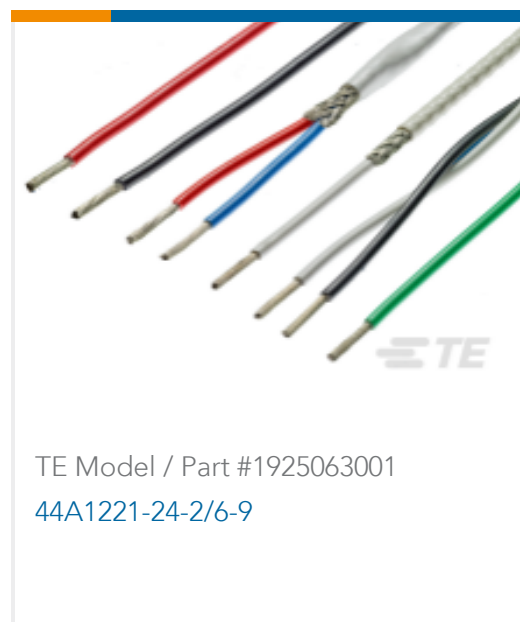
TE Model / Part #EM3184-000
HX-SCE LOW FIRE HAZARD SLEEVES



TE Model / Part #9041960001
TRSA-1018/E/1/8



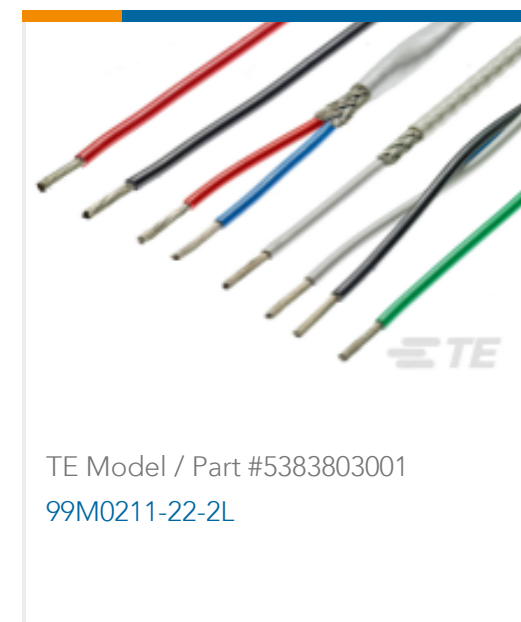
TE Model / Part #C574773001
100G0111-3.00-0CK0226



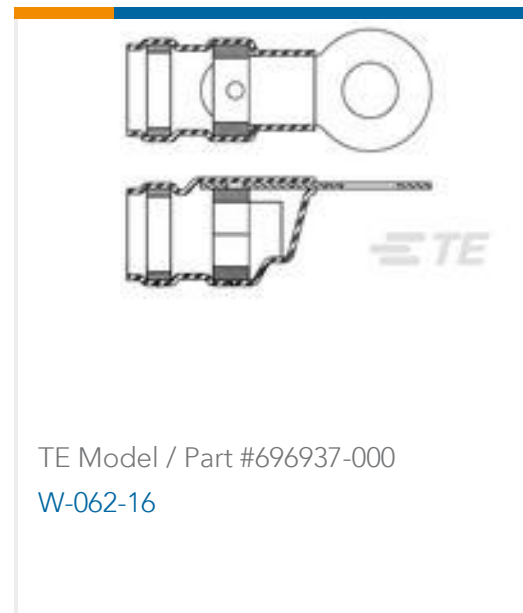
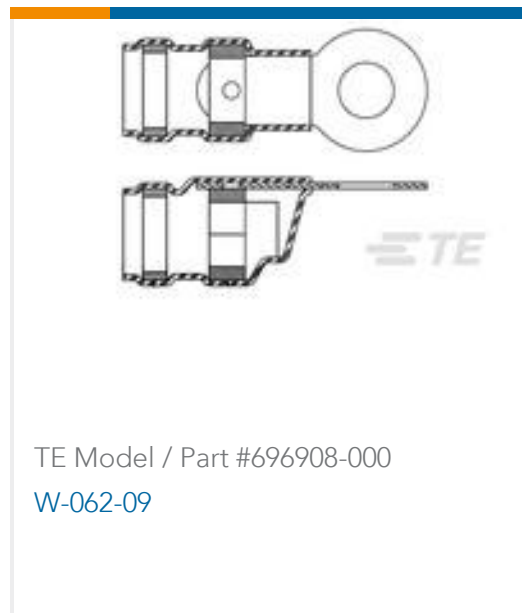
TE Model / Part #1925063001
44A1221-24-2/6-9



TE Model / Part #0618883001
99M0211-16-2L



TE Model / Part #5383803001
99M0211-22-2L



Documents

Product Drawings

[99M1111-22-2L-0](#)

English

Datasheets & Catalog Pages

[1654025_Sec9_Type99M](#)

English

[Raychem Wire and Cable Quick Reference Guide](#)

English