



Wire & Cable > High Speed Digital & Data Cable

High Speed Digital & Data Cable Type: **Coaxial**Impedance: **50 Ω** Wire Size: **28 AWG**Operating Temperature Range: **-55 – 115 °C**

Features

Product Type Features

Product Classification	Cable - Coaxial
Cable Style	Round Braided
Wire/Cable Type	Coaxial Cable
Product Type	Cable
High Speed Digital & Data Cable Type	Coaxial

Electrical Characteristics

	27.5 pF/ft
Impedance	50 Ω

Signal Characteristics

Velocity of Propagation	74%
-------------------------	-----

Body Features

Shield Material	Tin-Coated Copper
Shield Style	Single
Jacket Color	Black
Conductor Material	Tin-Coated Copper Clad Steel
Jacket Material	Thermorad S

Dimensions

Overall Outside Diameter	1.8 mm[.071 in]
--------------------------	-----------------



Cable Dielectric Diameter	.91 mm[.036 in]
---------------------------	-----------------

Wire Diameter	.38 mm[.015 in]
---------------	-----------------

Wire Size	28 AWG
-----------	--------

Usage Conditions

Operating Temperature Range	-55 – 115 °C
-----------------------------	--------------

Other

Wire Source	United States
-------------	---------------

Dielectric Material	Rayfoam L
---------------------	-----------

Product Compliance

[For compliance documentation, visit the product page on TE.com>](#)

EU RoHS Directive 2011/65/EU	Compliant
------------------------------	-----------

EU ELV Directive 2000/53/EC	Compliant
-----------------------------	-----------

China RoHS 2 Directive MIIT Order No 32, 2016	No Restricted Materials Above Threshold
---	---

EU REACH Regulation (EC) No. 1907/2006	Current ECHA Candidate List: JUN 2020 (209) Candidate List Declared Against: JAN 2020 (205) Does not contain REACH SVHC
--	---

Halogen Content	Out of Scope - excluded from Halogen requirements
-----------------	---

Solder Process Capability	Not applicable for solder process capability
---------------------------	--

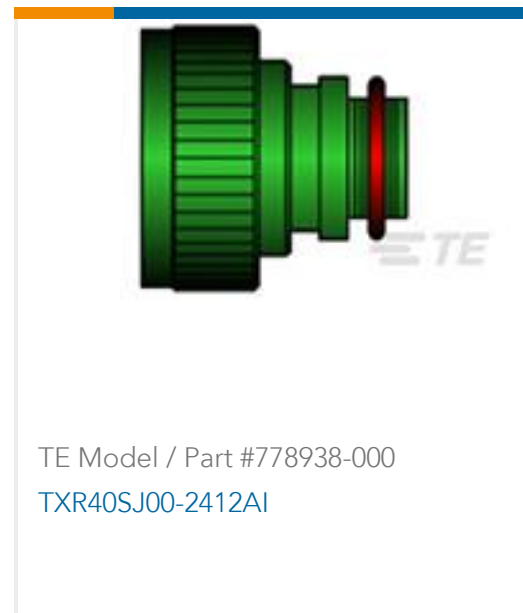
Product Compliance Disclaimer

This information is provided based on reasonable inquiry of our suppliers and represents our current actual knowledge based on the information they provided. This information is subject to change. The part numbers that TE has identified as EU RoHS compliant have a maximum concentration of 0.1% by weight in homogenous materials for lead, hexavalent chromium, mercury, PBB, PBDE, DBP, BBP, DEHP, DIBP, and 0.01% for cadmium, or qualify for an exemption to these limits as defined in the Annexes of Directive 2011/65/EU (RoHS2). Finished electrical and electronic equipment products will be CE marked as required by Directive 2011/65/EU. Components may not be CE marked. Additionally, the part numbers that TE has identified as EU ELV compliant have a maximum concentration of 0.1% by weight in homogenous materials for lead, hexavalent chromium, and mercury, and 0.01% for cadmium, or qualify for an exemption to these limits as defined in the Annexes of Directive 2000/53/EC (ELV). Regarding the REACH Regulation, the information TE provides on SVHC in articles for this part number is based on the latest European Chemicals Agency (ECHA) 'Guidance on requirements for substances in articles' posted at this URL: <https://echa.europa.eu/guidance-documents/guidance-on-reach>

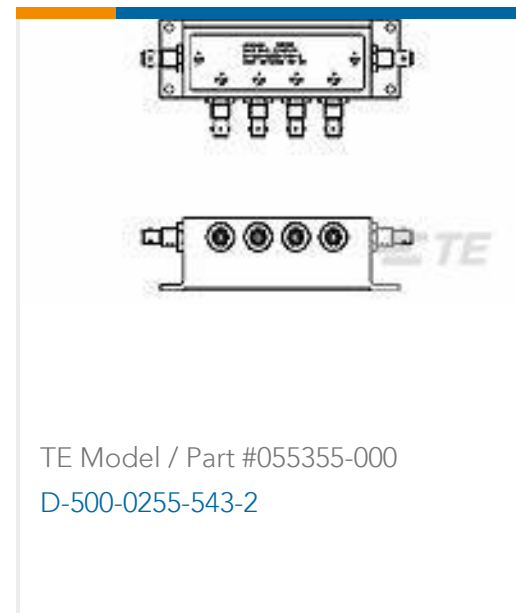
Customers Also Bought



TE Model / Part #530745-3
MINI-BOX RCPT ASSY 40P UNSEAL



TE Model / Part #778938-000
TXR40SJ00-2412AI



TE Model / Part #055355-000
D-500-0255-543-2



TE Model / Part #420959-000
CWT-2001



TE Model / Part #E047733001
99M0121-20-0/4



TE Model / Part #CR5958-000
D-500-L457-1-612-120



TE Model / Part #YDTS20T09-98PA0000
RECP ASSY



TE Model / Part #YDTS26T19-
11SAV001
PLUG ASSY



TE Model / Part #YDTS26T21-
39PAV001
PLUG ASSY



TE Model / Part #1-1617162-1
J1MACT-5XM = M28776/5-025M

Documents

Product Drawings

5028A1317-0

English

Datasheets & Catalog Pages

1654025_Sec9_CheminaxCables

English

Wire and Cable Overview

English

Product Specifications

Product Specification

English