

## General Specifications

Motor Structure: Shaded Pole Induction Motor  
 Motor Protection: Impedance Protection  
 Insulation Resistance: 10M Ohm or over with DC500V Megger  
 Dielectric Withstand Voltage: AC 700V 1s  
 Allowable Ambient Temperature Range:  
 -10 degree C ~ +70 degree C (Operating)  
 -40 degree C ~ +70degree C (Storage)  
 (non-condensing environment)

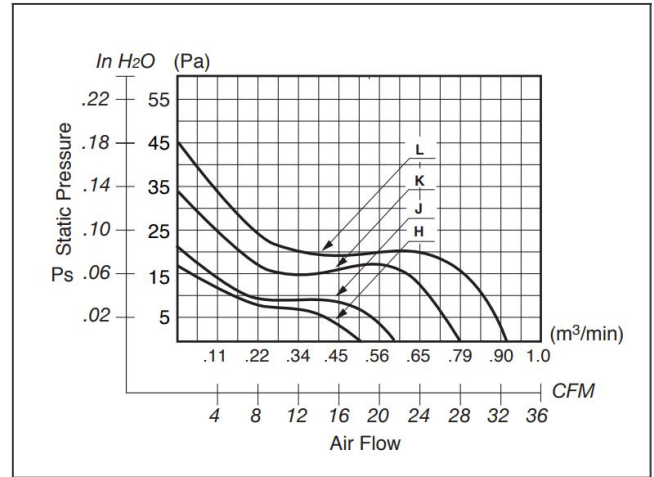
## Material

Casing: Aluminum Black Painting  
 Impeller: Plastic (Black) UL94V-0  
 Lead Wire or Terminal: UL3266, AWG22 / Faston #110 or equivalent

**order part 3115FS-23T-B30-A00\_60Hz Ball Bearing Fan AC Axial Fans**

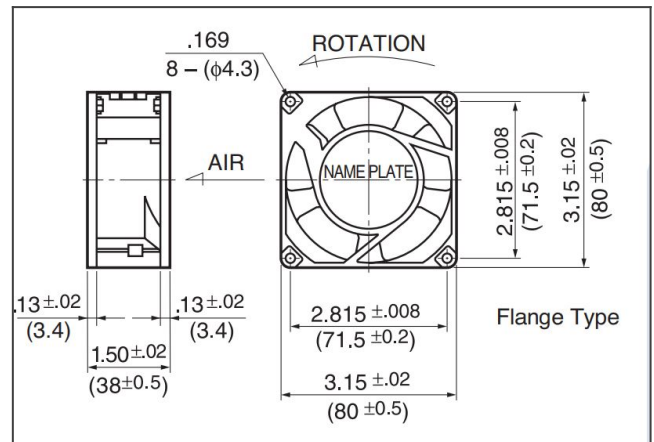


### 3115FS characteristics curve

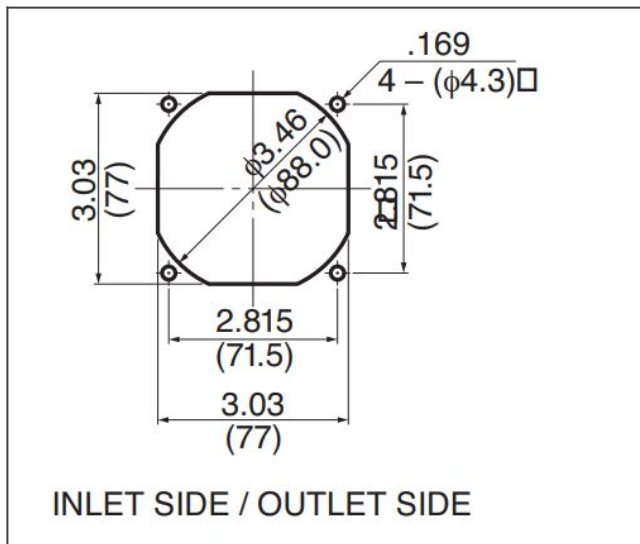


**AC Axial Fans**

### 3115FS product drawing



### 3115FS panel cut out



## Detailed Specifications

<b>Expected Life:</b>	*Failure rate 10% 25deg.C 50,000 hours
<b>Nominal Voltage:</b>	230[V]
<b>Frequency:</b>	60[Hz]
<b>Starting Voltage:</b>	175[V]
<b>AC Fans:</b>	Ball Bearing Fan
<b>Current:</b>	0.07[A]
<b>Input Power (+10% - 20%):</b>	8[V]
<b>Speed:</b>	3250[ $\text{min}^{-1}$ ]
<b>Max. Air Flow:</b>	0.93[m <sup>3</sup> /min]
<b>Max. Air Flow:</b>	33[CFM]
<b>Max. Static Pressure:</b>	45[Pa]
<b>Max. Static Pressure:</b>	0.18[In H <sub>2</sub> O]
<b>Noise:</b>	44[dB]
<b>Fan Size:</b>	80[mm]
<b>Fan Width:</b>	38[mm]
<b>Mass:</b>	340[g]