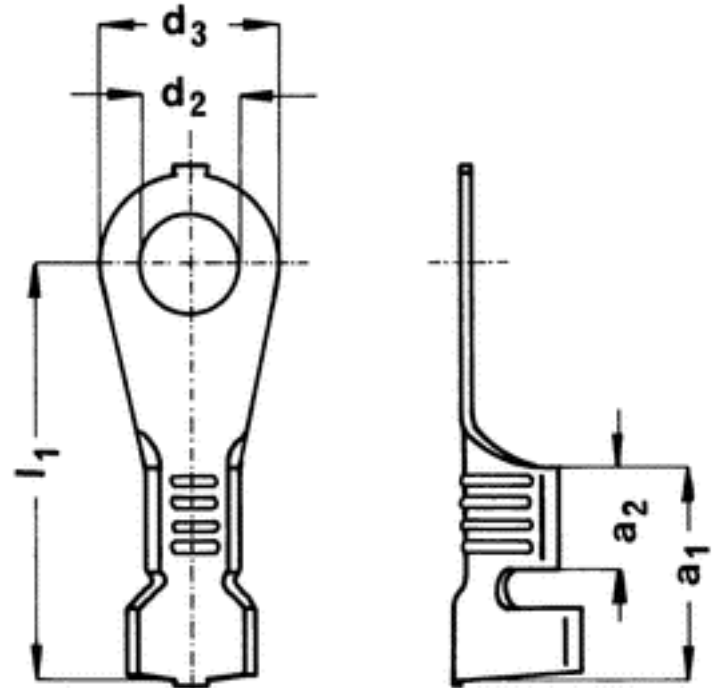




Characteristics and dimensions of terminals

Part number	25229.123.011
Specification	Claw terminal ring type
Material	CuZn
Surface / Colour	Sn 3
Form	Chain form
Transport	Longitudinal transport
Packing unit / piece	2500
Section area (mm ²)	2.50-6.00
DIN	46225 Form A
Nominal size	A4-6
Material thickness (mm)	0.80
a ₁	11.00
a ₂	4.50
d ₂	4.30
d ₃	8.00
l ₁	21.30



Note: The drawing only gives an overview of the geometry of the part. The crimp area is shown as supplied in strip form. A technical drawing is available on request.

[Contents of your inquiry](#)

Packing Units (per 2500 pieces)

CW