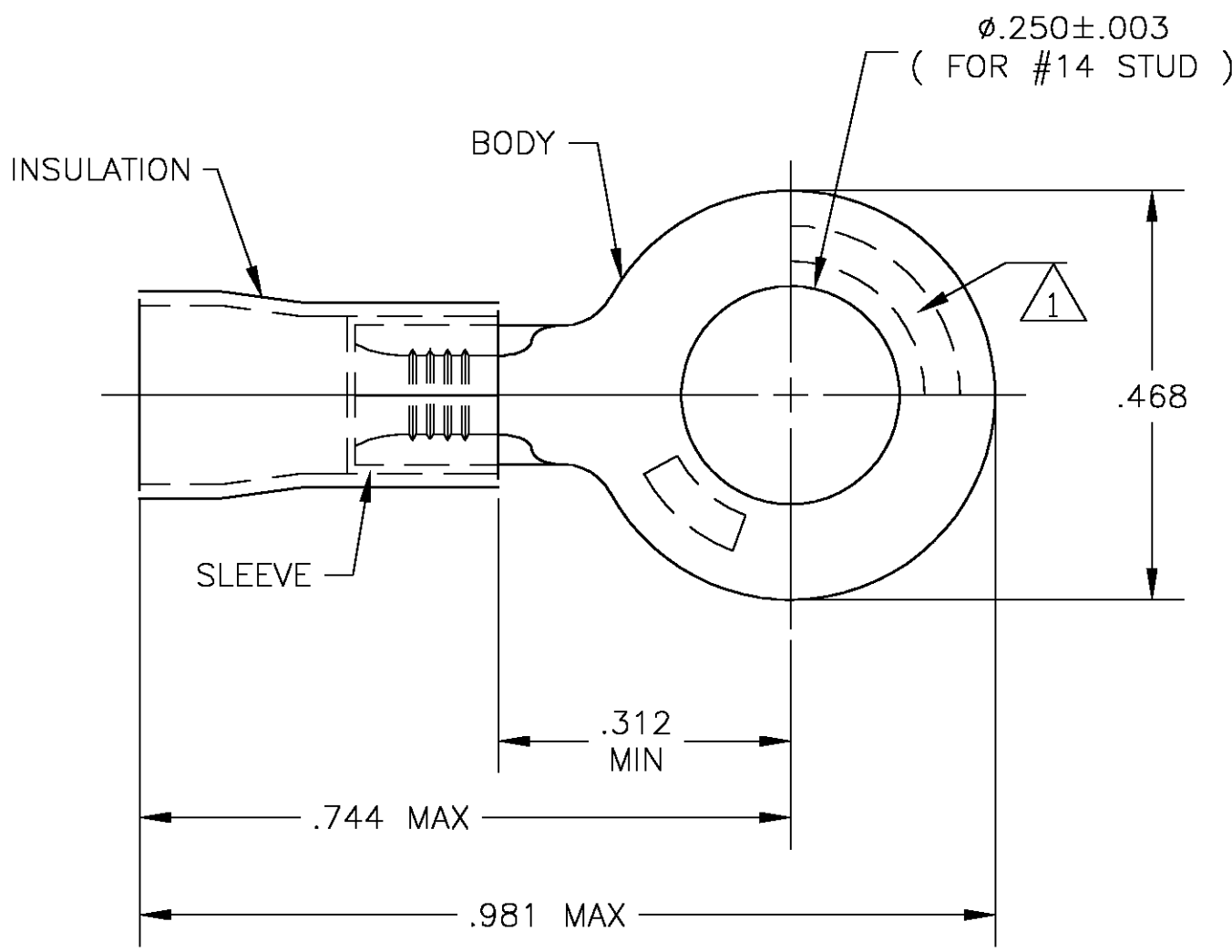


THIS DRAWING IS UNPUBLISHED. RELEASED FOR PUBLICATION  
 © COPYRIGHT BY TYCO ELECTRONICS CORPORATION. ALL RIGHTS RESERVED.

LOC	DIST	REVISIONS					
		P	LTR	DESCRIPTION	DATE	DWN	APVD
G	14		G	REDRAWN PER 0G3A-0640-03	14OCT03	JR	MS

- 1 STAMP AMP 16-14\*, 2-4 APPROX AS SHOWN
- 2 TONGUE MATERIAL THK IS .031±.002
- 3 FOR .150 TO .190 WIRE INSULATION DIA.



QTY	DESCRIPTION	MATERIAL & FINISH	PART NO.
1	WIRE TERMINAL	BODY: COPPER PER ASTM B-152 TIN PLATE PER ASTM B-545 SLEEVE: COPPER PER ASTM B-152 INSULATION: PVC, COLOR: BLUE	35626-0
OBSOLETE			<del>2-35626-1</del>

THIS DRAWING IS A CONTROLLED DOCUMENT.		DWN jr_ruth 14OCT03	Tyco Electronics Corporation Harrisburg, PA 17105	
DIMENSIONS: INCHES		CHK MJ SPICER 14OCT03	NAME	
TOLERANCES UNLESS OTHERWISE SPECIFIED:		APVD MJ SPICER 14OCT03	WIRE TERMINAL PLASTI-BOND, RING TONGUE WIRE SIZE: 16-14	
0 PLC ± -		PRODUCT SPEC	SIZE	CAGE CODE
1 PLC ± -		APPLICATION SPEC	A3	00779
2 PLC ± -		WEIGHT	DRAWING NO C-35626	
3 PLC ± .008			RESTRICTED TO	
4 PLC ± -			A3 00779 C-35626	
ANGLES ± 5'			SCALE	SHEET
MATERIAL SEE TABLE	FINISH SEE TABLE	CUSTOMER DRAWING	5:1	1 OF 1
			REV	G