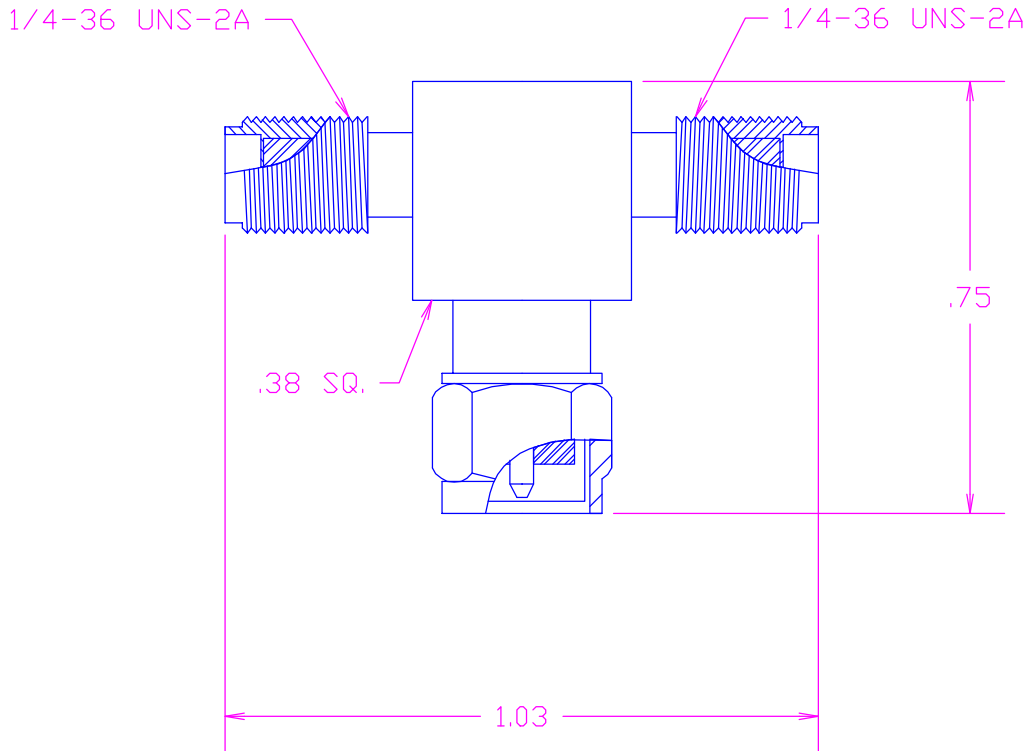


| DATE | SYM | REVISION RECORD | AUTH. | DR. | CK. |
|------|-----|-----------------|-------|-----|-----|
| | | | | NT | AT |
| | | | | | |
| | | | | | |
| | | | | | |



MATERIAL: MALE CONTACT- BRASS PER QQ-B-626
 ALLOY 360, 1/2 HARD
 FEMALE CONTACT- BERYLLIUM COPPER PER
 QQ-C-530, ALLOY 173, 1/2 HARD
 BODY- STAINLESS STEEL
 FINISH: GOLD
 IMPEDANCE: 50 OHMS REF.
 FREQUENCY: DC TO 18 GHz REF.

| | | | |
|---------------------------------|---------------------------------|-------------------------------|---|
| TOLERANCES (EXCEPT AS NOTED) | CONCORD ELECTRONICS CORPORATION | | |
| DECIMAL + - .005 | P/N | SCALE | 30 GREAT JONES ST. NEW YORK N.Y. 10012 |
| FRACTIONAL + - | TITLE SMA JACK-PLUG-JACK | | |
| ANGULAR + - | DATE | DRAWING NUMBER 800-2111-03 | |