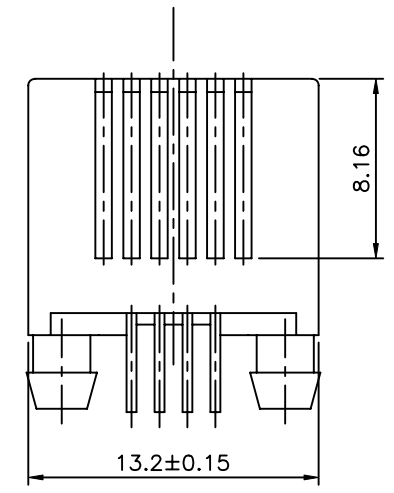
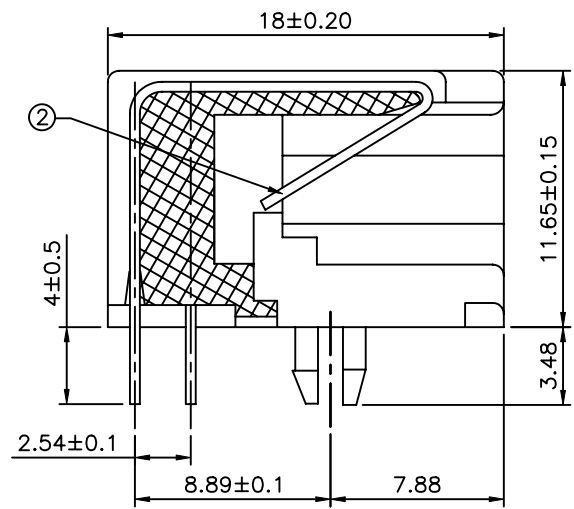
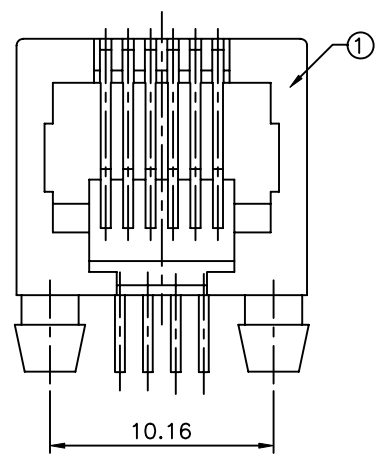
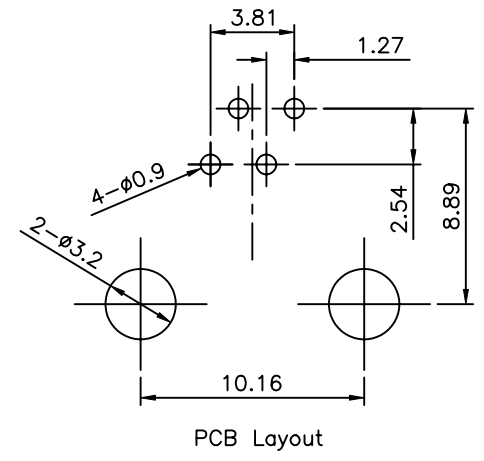


SPECIFICATION
 Insulation Resistance:1000Megaohms Min
 Withstand Voltage:1000V AC/Minute
 Durability:600 Mating Circles Min
 RoHS Compliant



No.	Part Name	Q'ty	Material	Remark
1	Housing	1	PBT	UL94V-0
2	Pin	4	Phosphor Bronze	Selective Gold-Plating Over Nickel

AUK A MEMBER OF AUK GROUP
太聯事業股份有限公司
AUK CONTRACTORS CO., LTD.

CATEGORY		APPROVED BY MEI		UNLESS OTHERWISE SPECIFIED TOLERANCES ARE 0~10 ±0.10 10~20 ±0.15 20~30 ±0.20
PART No. MJV0604KXXX-H		CHECKED BY HZF		
DRAWING No. MJV0604KXXX-H		DRAWING BY LXX		
SCALE	NONE	REV.	A0	
UNIT mm				

△ A0	NEW RELEASE	HZF	06/27/2008
NO.REV.	REVISIONS	CHK	DATE