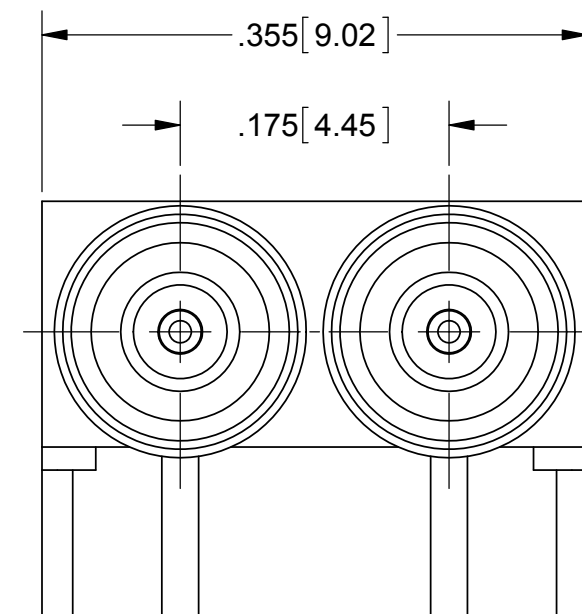
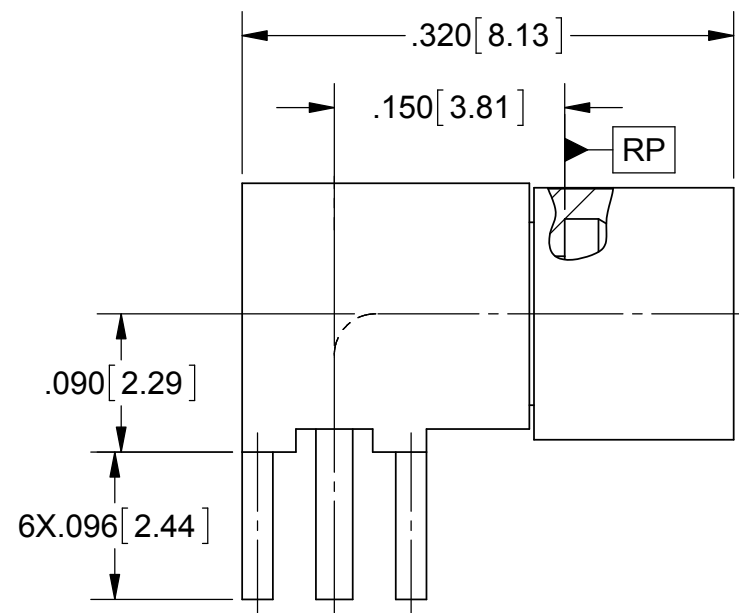
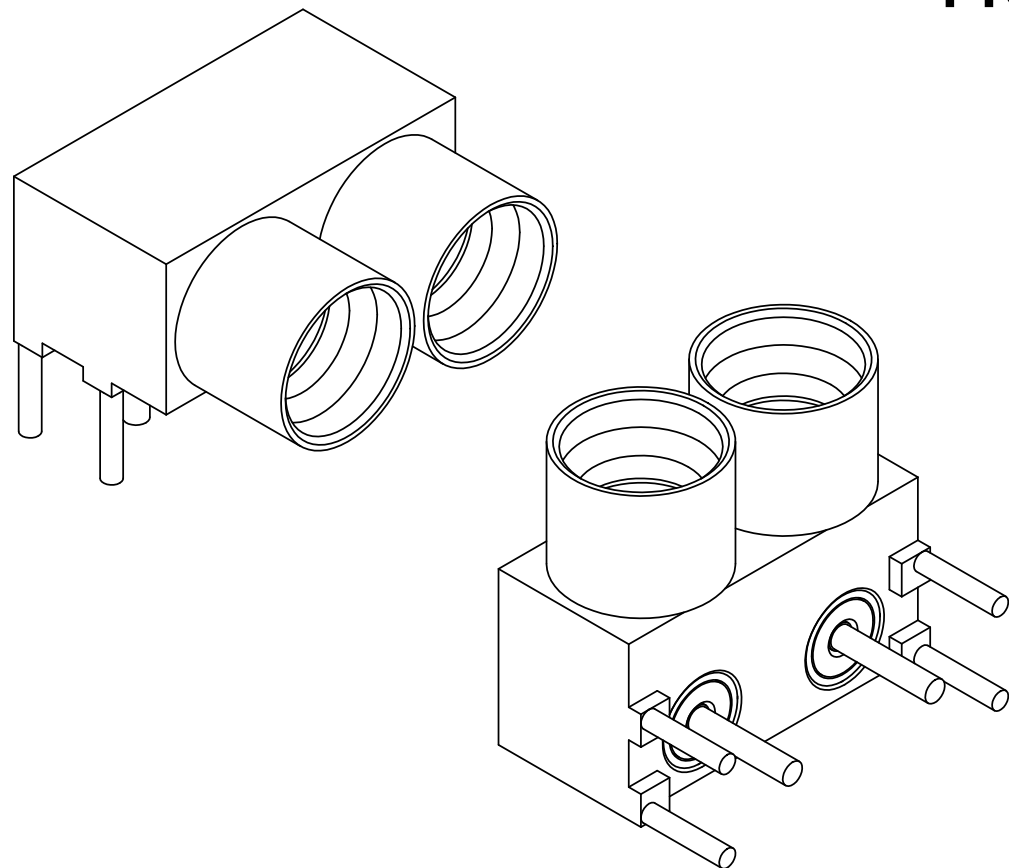


PRODUCT DATA DRAWING

REVISION HISTORY			
REV	DESCRIPTION	DATE	APPROVED
-	DCN 38586	09/11	STW



MATERIAL:

INTERFACE BODY: STAINLESS STEEL PER AMS-5640, ALLOY UNS S30300, TYPE 1

LEGGED BODY, CONTACTS & RETAINING RINGS: BERYLLIUM COPPER PER ASTM B196, ALLOY No. UNS C17300, TD04

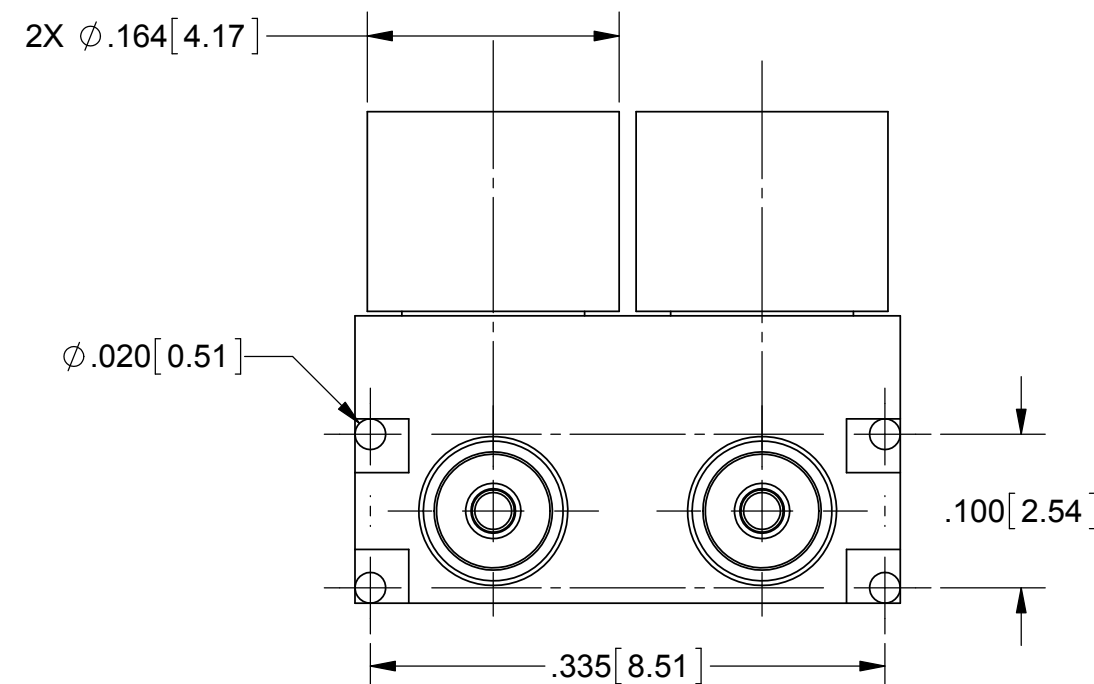
INSULATORS: PTFE PER ASTM D1710, TYPE I, GRADE 1, CLASS B

FINISH:

INTERFACE BODIES: PASSIVATED PER AMS-2700

LEGGED BODY, RETAINING RINGS & CONTACTS: GOLD PER ASTM B488, TYPE II, CODE C, CLASS 1.27, OVER NICKEL PER AMS-QQ-N-290, CLASS 1, .00005" MIN.

SV PART NUMBER	COUPLING STYLE
SF9312-40002	SMOOTH BORE
SF9312-40003	LIMITED DETENT
SF9312-40004	FULL DETENT



PERFORMANCE:

IMPEDANCE: 50 OHMS
 FREQ. RANGE: DC TO 20.0 GHz
 VSWR: 1.35:1 DC TO 20.0 GHz
 DWV: 500 VRMS
 INSULATION RES.: 5,000 MEGAOHMS MIN.

MATERIAL: SEE NOTES	DIMENSIONS ARE IN INCHES TOLERANCES: FRACTIONAL: ±1/64 ANGULAR: X° ±1'0" X"X' ±15'	UNLESS OTHERWISE SPECIFIED 1) ALL DIMENSIONS ARE IN INCHES (MILLIMETERS) 2) ALL DIMENSIONS ARE AFTER PLATING. 3) BREAK CORNERS & EDGES .005 R. MAX. 4) CHAM. 1ST & LAST THREADS. 5) SURFACE ROUGHNESS 63-MIL-STD-10. 6) DIA. 'S ON COMMON CENTERS TO BE CONCENTRIC WITHIN .005 T.I.R. 7) REMOVE ALL BURRS	SV Microwave, Inc. 2400 Centrepark West Drive, Suite 100 West Palm Beach, FL 33409
FINISH: SEE NOTES	DECIMAL: X ±.030 .XX ±.010 .XXX ±.005	INTERPRET DIMENSIONS AND TOLERANCES PER ASME Y14.5M - 1994	TITLE: SMP MALE R/A 2-PORT THRU HOLE MOUNT
SURFACE AREA: N/A	THIRD ANGLE PROJECTION	DRAWN: FSG 09/29/11	SIZE: B CAGE CODE: 95077 DWG. NO.: SF9312-40002-40004
PROPRIETARY THE INFORMATION CONTAINED IN THIS DRAWING IS THE SOLE PROPERTY OF SV MICROWAVE, INC. ANY REPRODUCTION IN PART OR AS A WHOLE WITHOUT THE WRITTEN PERMISSION OF SV MICROWAVE, INC IS PROHIBITED.		CHECKED: STW 09/29/11 APPROVED: STW 09/29/11	SCALE: 8:1 SHEET 1 OF 1