

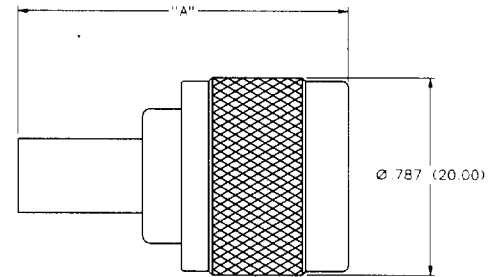
Straight Crimp Type Plug

Inches (millimeters)

Solder or Crimp Contact

Part Number	Cable	"A"
138-0418-006	RG-9, 214	1.453 (36.91)
138-0416-006	RG-8, 213	1.453 (36.91)
138-0409-006	RG-59, 62	1.356 (34.44)
138-0408-006	RG-142, 223, 400	1.356 (34.44)
138-0407-006	RG-58; BELDEN 9907	1.356 (34.44)

Assembly instructions on page 38.

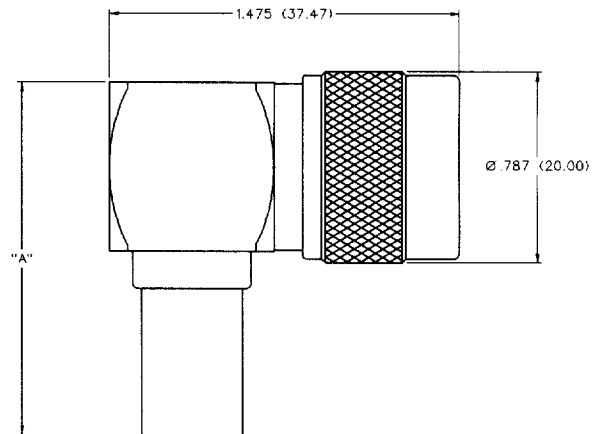


Right Angle Crimp Type Plug

Solder or Crimp Contact

Part Number	Cable	"A"
138-0418-106	RG-9, 214	1.437 (36.50)
138-0416-106	RG-8, 213	1.437 (36.50)
138-0408-106	RG-142, 223, 400	1.260 (32.00)
138-0407-106	RG-58; BELDEN 9907	1.260 (32.00)

Assembly instructions on page 39.



Straight Clamp Type Plug

Solder Contact

Part Number	Cable	"A"	"B"	"C"
138-0218-006	RG-9, 214	1.465 (37.21)	.615 (15.62)	.630 (16.00)
138-0216-006	RG-8, 213	1.465 (37.21)	.615 (15.62)	.630 (16.00)
138-0208-006	RG-142, 223, 400	1.115 (28.32)	none	.370 (9.40)
138-0207-006	RG-58; BELDEN 9907	1.200 (30.48)	.435 (11.05)	.433 (11.00)

Assembly instructions on page 40.

