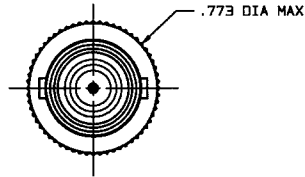


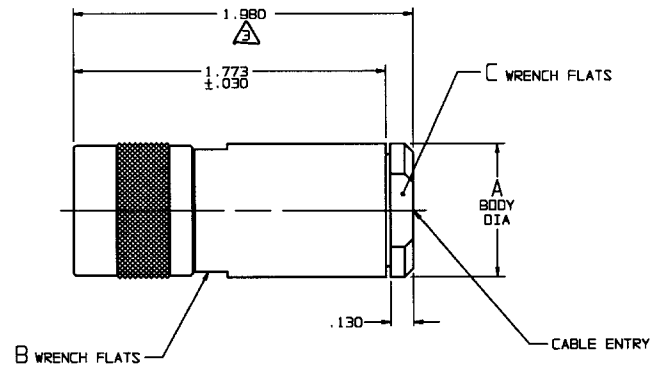
# RED INDICATES ORIGINAL

DASH NO	CABLES ACCOMMODATED	A DIA	B FLATS	C FLATS	ASSEMBLE PER
-13	TRF-59, TIMES	.750	.687	.625	TAI-175
-13A	8232, BELDEN				
-14	21-529, ESSEX 8233, BELDEN				
-14A	TRC-50-4A	.990	.875	.875	
-15	21-583, ESSEX				
-26	275-3962, MICRODOT	.750	.687	.625	
-32	TRC-50-1				
-42	21-204-ESSEX T-13295, BRAND REX	.990	.875	.875	
-61	5012W5812, RAYCHEM				
-82	7518A0811, RAYCHEM				

INCH	MM
.005	0.13
.030	0.76
.130	3.30
.625	15.88
.687	17.45
.750	19.05
.773	19.63
.875	22.23
1.000	25.40
1.773	45.03
1.980	50.29

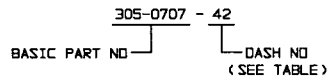


DWG SIZE C	DATA CONTAINED IN THIS DOCUMENT IS PROPRIETARY TO TROMPETER ELECTRONICS, INC. AND SHALL NOT BE DISCLOSED, COPIED OR USED FOR PROCUREMENT OR MANUFACTURE WITHOUT EXPRESS WRITTEN PERMISSION.			REVISIONS		305-0707	SH 1
				REV	ED	DESCRIPTION	DWN
	B	10541	.990 WAS 1.000	DKC	Bmj; KCF	11/2/98	



-13 SHOWN

5. EXAMPLE OF COMPLETE PART NO:



4. CONCENTRIC TWINAX/TRIAX "C"  
STYLE CABLE PLUG W/SOCKET CENTER CONTACT

DIM IS MAX WHEN ASSEMBLED TO CABLE

2. FINISH: CONNECTOR ASSY, CONE & CLAMP NUT; TFS-1V (SILVER)  
INTERMEDIATE & CENTER CONTACTS; TFS-1B (GOLD)

1. ALL DIM ARE IN INCHES

QTY	DESCRIPTION	PART NUMBER	ITEM
TOL UNLESS SPECIFIED .XX ± .XXX ±.005 .0000 ± ANGLES ±	<b>TROMPETER ELECTRONICS, INC.</b>	PL80 SPECIAL, SILVER PLATED	
DWN DKC 11-9-93	MATERIAL	CODE IDENT	DRAWING NO.
CHK Bmj 11-1-93		14949	305-0707
ENGR			REV
			B
NEXT ASSY	APPR KCF 11-12-93	SCALE 2/1	DATE 7-25-89 SHEET 1 OF 2