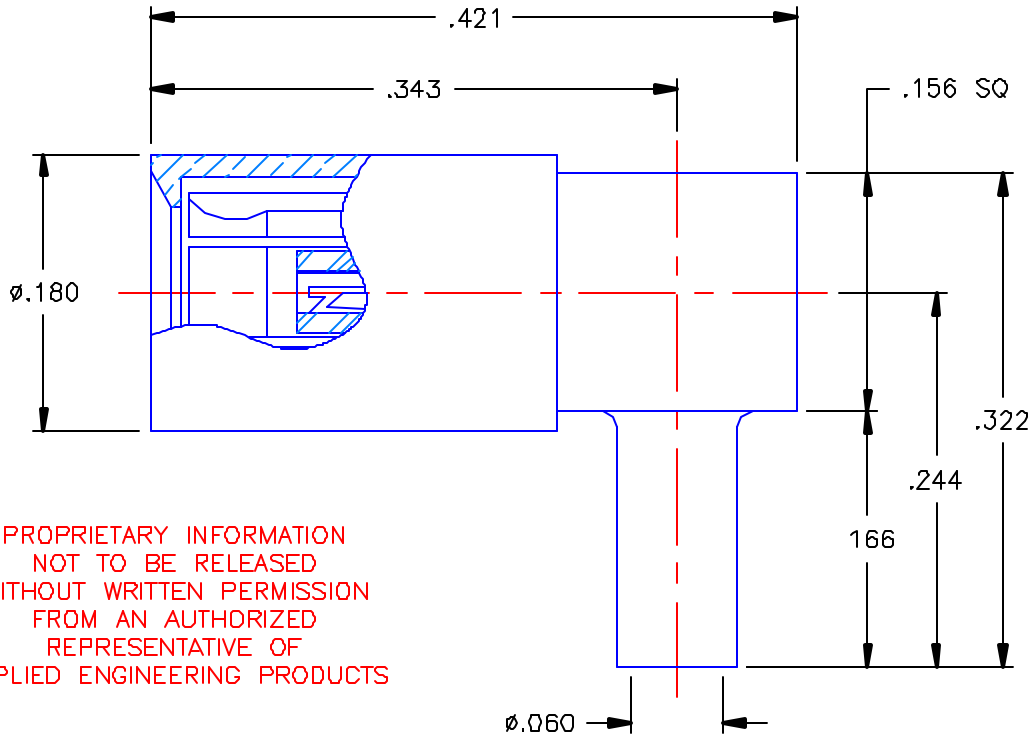


REVISIONS			
REV	DESCRIPTION	DATE	APPROVED
-	INITIAL RELEASE	10/19/04	A.D.M.



PROPRIETARY INFORMATION  
NOT TO BE RELEASED  
WITHOUT WRITTEN PERMISSION  
FROM AN AUTHORIZED  
REPRESENTATIVE OF  
APPLIED ENGINEERING PRODUCTS


NOTES:

MATERIALS:

1. INTERFACE BODY & CONTACT = BERYLLIUM COPPER PER ASTM B196, ALLOY C17300, TEMPER TD04.
2. INSULATORS = VIRGIN WHITE TEFLON PER ASTM D1710, GRADE 1, TYPE I, CLASS "B".
3. SHRINK TUBE = RNF100 (NOT SHOWN)
4. ALL OTHER METAL PARTS = BRASS PER ASTM B16, ALLOY C36000, TEMPER H02.

FINISHES:

1. CONTACT = GOLD PLATE PER MIL-G-45204, TYPE II, CLASS 1, GRADE C, OVER .00010 TO 00020 STRESS FREE SULFAMATE NICKEL PER QQ-N-290.
2. ALL OTHER METAL PARTS = GOLD PLATE PER MIL-G-45204, TYPE II, CLASS 0, GRADE C, OVER .00010 TO .00020 COPPER STRIKE PER MIL-C-14550.

UNLESS OTHERWISE SPECIFIED DIMENSIONS ARE IN INCHES TOLERANCES ON	DWN. A.D.M.	DATE 10/18/04		APPLIED ENGINEERING PRODUCTS		
	CHKD: D.N.	DATE 10/19/04		104 John W. Murphy Dr. New Haven, CT 06513		
DECIMAL	ANGLE	APVD: D.J.C.	DATE 10/19/04	SSMB RIGHT ANGLE FEMALE PLUG DIRECT SOLDER TYPE FOR .056 S/R CABLE		
REFERENCE:	MATERIALS & FINISHES: SEE NOTES		SIZE A	FSCM NO 19505	DWG NO 7405-1561-121	REV -
ORIGINATOR: A.D.M. DATE: 10/18/04			SCALE 8:1		SHEET 1 OF 1	

7405-1561-121