

Filters
EMI/EMC
Common-mode choke coil

AMORPHOUS MAGNETIC CORE-CHOKE COILS

For common-mode pulse EMI
NA series

NA11 SERIES

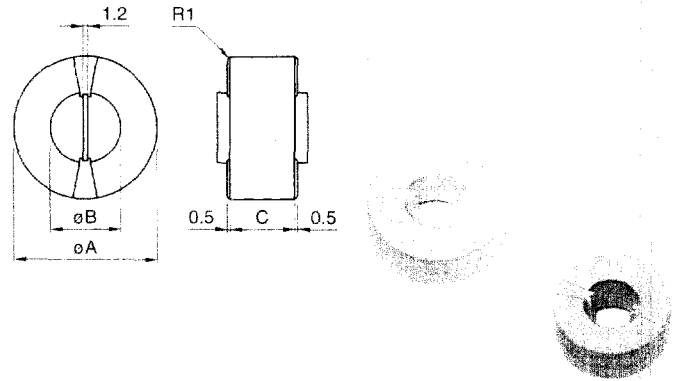
FEATURES

- High saturation magnetic flux density offers excellent attenuation characteristics for EMI prevention, even against high voltage pulse noise.
- Can be made high impedance characteristics up to 1MHz high frequency band.
- Very low instability after applying a pulse compared to conventional amorphous cores.

APPLICATIONS

- Common-mode choke coils for high voltage pulse noise.
- EMI prevention for digital equipment such as computers and controllers.

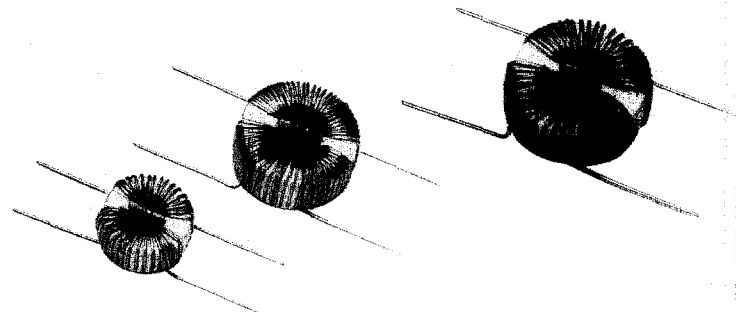
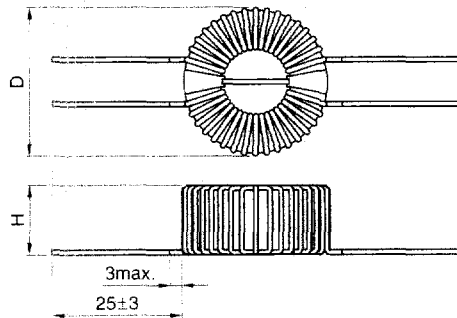
CORE TYPES AND DIMENSIONS/CHARACTERISTICS



Part No.	AL-value(nH/N ²) [at 16kHz]	Dimensions (mm)			C ₁ (mm ⁻¹)	Ae (mm ²)	le (mm)	Ve (mm ³)
		øA	øB	C				
NA11T22×10×14	3940±25%	24.8	11.5	12.5	1.434	37.89	54.32	2058
NA11T31×13×19	5728±25%	33.6	16.5	15.5	0.987	76.46	75.49	5772
NA11T38×13×22	6240±25%	40.7	19.5	15.5	0.906	98.4	89.17	8774
NA11T40×20×22	10771±25%	43.1	19.5	20.8	0.525	174.7	91.82	16044

- Case material: Inflammable material (UL Grade 94V-0, File No. E52857)
- Materials other than those specified above are available. Please contact TDK.

COMMON-MODE CHOKER COIL



Dimensions in mm

Part No.	Rated current (A)	Inductance (mH)[at 16kHz]	DC resistance (mΩ)max.	Winding wire ø(mm)	Dimensions (mm) max.	
					D	H
NA11T22×10×14-132	4	1.28±25%	35	0.8	28	17
NA11T22×10×14-391	5	0.39±25%	13	1	28	18
NA11T31×13×19-922	3	9.16±25%	129	0.7	36	21
NA11T31×13×19-282	7	2.77±25%	24	1.2	38	23
NA11T38×13×22-492	7	4.89±25%	33	1.2	45	23
NA11T38×13×22-532	5	5.25±25%	50	1	44	21

- Case material: Inflammable material (UL Grade 94V-0, File No. E52857)

