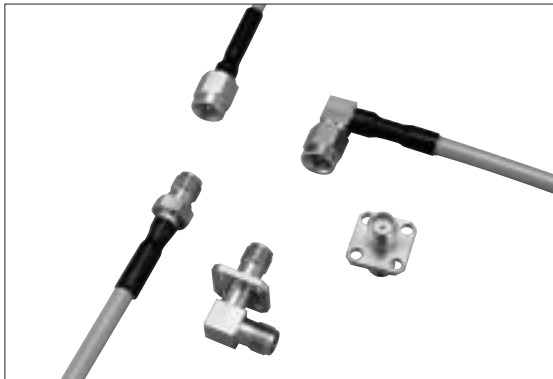
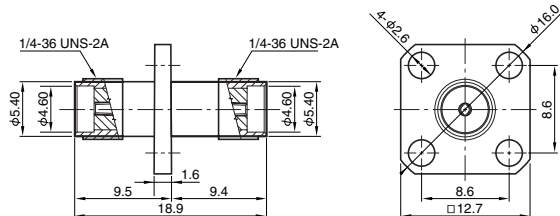


SMA Type Coaxial Connector <20GHz>



● Receptacle
CRS1001-1101F (Straight)



■ Features

1. Compliant with MIL (MIL-STD-348A) standard.
2. With excellent mechanical strength and durability, and RF performance of low level insertion and reflection losses.
3. Mechanically strong coaxial connectors using a stainless steel shell, with the straight type and L type panel receptacle designed for 4-point mounting.
4. A lead-free product (receptacle).

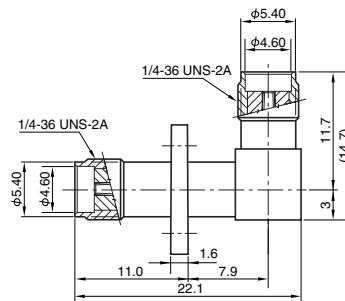
■ Specifications

1. Characteristic Impedance : 50Ω
2. Operating Frequency Range : Plugs, Jacks, Panel receptacle (Straight type) DC to 20 GHz, L type panel receptacle DC to 12.5 GHz
3. V.S.W.R. : 1.2 max. (DC to 20 GHz), 1.3 max. (DC to 12.5 GHz) L type panel receptacle
4. Operating Temperature Range : -65 to +125 °C
5. Usable Cables : '085 or '141 equivalent semi-flexible coaxial cables, '085 or '141 equivalent semi-rigid coaxial cables

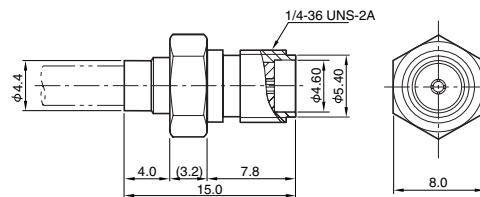
■ Material and Plating

- Receptacle
Shell : Stainless Use Steel (SUS), Passivate
Contact : Copper Alloy, Gold Plating
- Jack / Plug
Shell / Terminal : Copper Alloy, Gold Plating

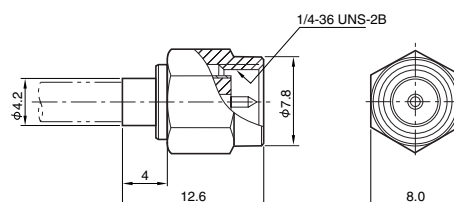
● Receptacle
CRS1001-0701F (Right-Angle)



● Jack
CRS1001-1201G



● Plug
CRC1001-1301G



■ Note

Please contact our sales agent for lead-free product(jack and plug).