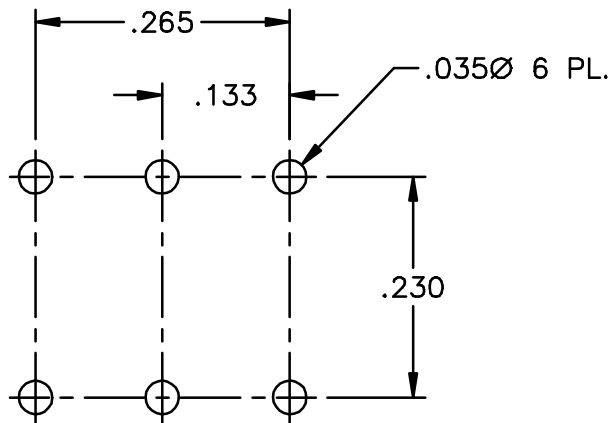
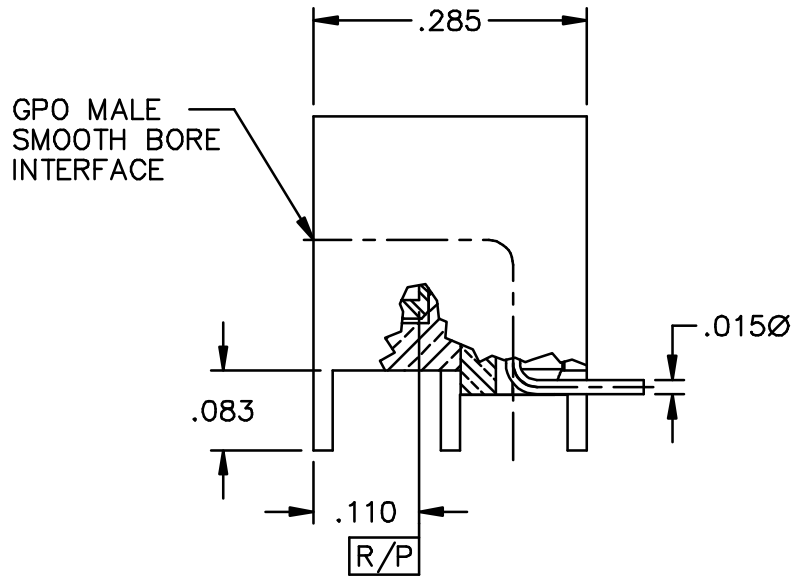
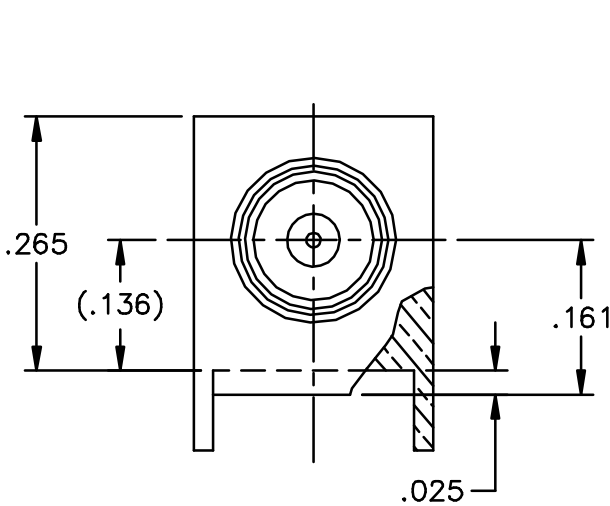
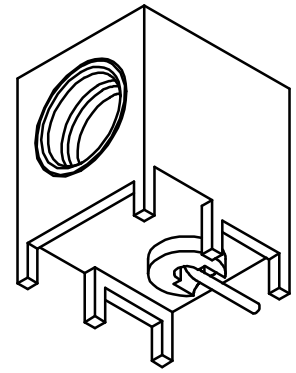


CATALOG NUMBER

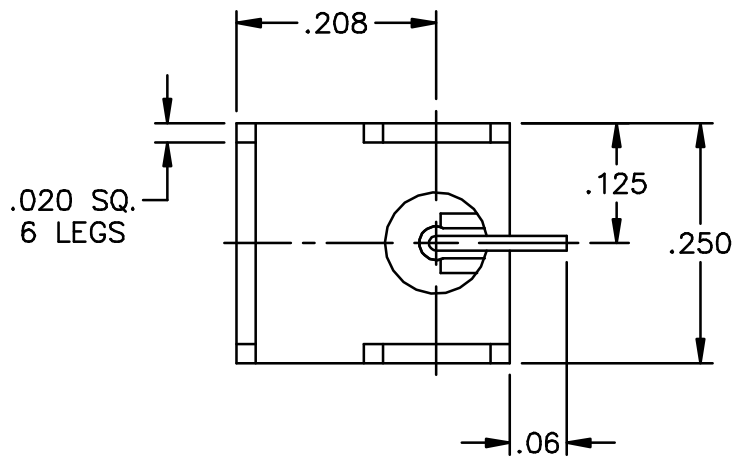
0119-720-1

MATERIAL AND FINISH

SHROUD: CRES 303; PASSIVATED
 CENTER CONTACT, HOUSING, AND BUSHING: BeCu; GOLD PLATE 50-100 MICRONS OVER NICKEL PLATE 50 MICRONS MIN.
 DIELECTRICS: VIRGIN PTFE (TEFLON)



MOUNTING HOLE PATTERN



This drawing and any data contained herein is the property of Corning Gilbert Inc., and constitutes and contains proprietary and confidential information. Neither receipt nor possession of this drawing confers or transfers any right to duplicate, use or disclose any information contained herein except as expressly authorized by Corning Gilbert Inc.

GPO MALE SMOOTH BORE
 R/A TO P.C.B.
 WITH R/A LAUNCH

IDENT CODE:
 82316

REVISION: C1

Corning Gilbert Inc.

SOURCE FILE: MECR# 863

DWG. NO.: OL-0119-720-1

ASSY. PROC.: -