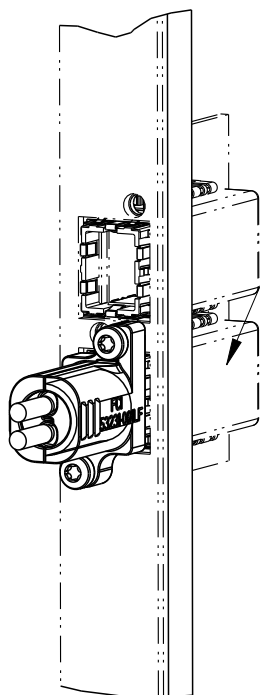
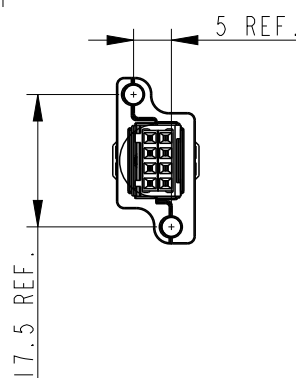
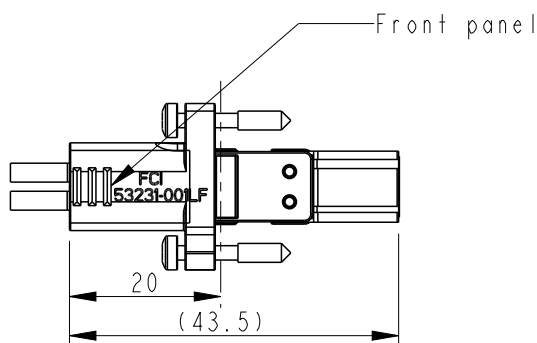


LEAD FREE PRODUCT NO.
72862-X01LF



See Sofix Shielded I/O



PRODUCT SPECIFICATION: GS-12-308
PACKAGING SPECIFICATION: GS-14-796
APPLICATION SPECIFICATION: GS-20-019.

MATERIAL:

- | | | |
|---|----------------|--|
| 1 | WAFER | 30 % GLASS FILLED LCP |
| 2 | SHROUD | 30 % GLASS FILLED POLYAMIDE
FLAME RETARDANT ACC. TO UL-94 |
| 3 | COVER | ZINC ALLOY |
| 4 | TERMINAL | TINBRONZE |
| 5 | FERRULE | TINBRONZE |
| 6 | SCREW | STEEL |
| 7 | CLIP | INOX |
| 8 | FERRULE HOLDER | ZINC ALLOY |

9-ROHS INFORMATIONS:

- This "LF" product meets European Union Directives and other country regulations as described in GS-22-008.
- This product is not intended to be exposed to a manufacturing solder process
- Packaging spec: See GS-14-920

rev	ecn no	dr	date
A	B30048	SVH	2003/02/26
B	LS4129	JTA	2004/12/15
C	LS05-0102	JTA	2005/08/11
D	LS06-0107	LGO	2006/08/30
E	LS06-0143	LGO	2006/09/25
F	LS07-0285	JTA	2007/11/09
-	-	-	-

spec ref	RELEASED		
tolerance std	TOLERANCES UNLESS OTHERWISE SPECIFIED		
ISO 406			
ISO 1101			
surface $\sqrt{0.8}$	linear	0.X	± 0.3
		0.XX	± 0.10
		0.XXX	± 0.050
	angular	0°	$\pm 2^\circ$
ISO 1302			

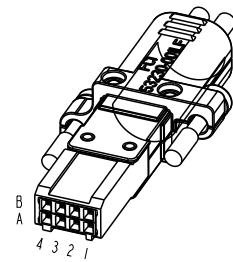
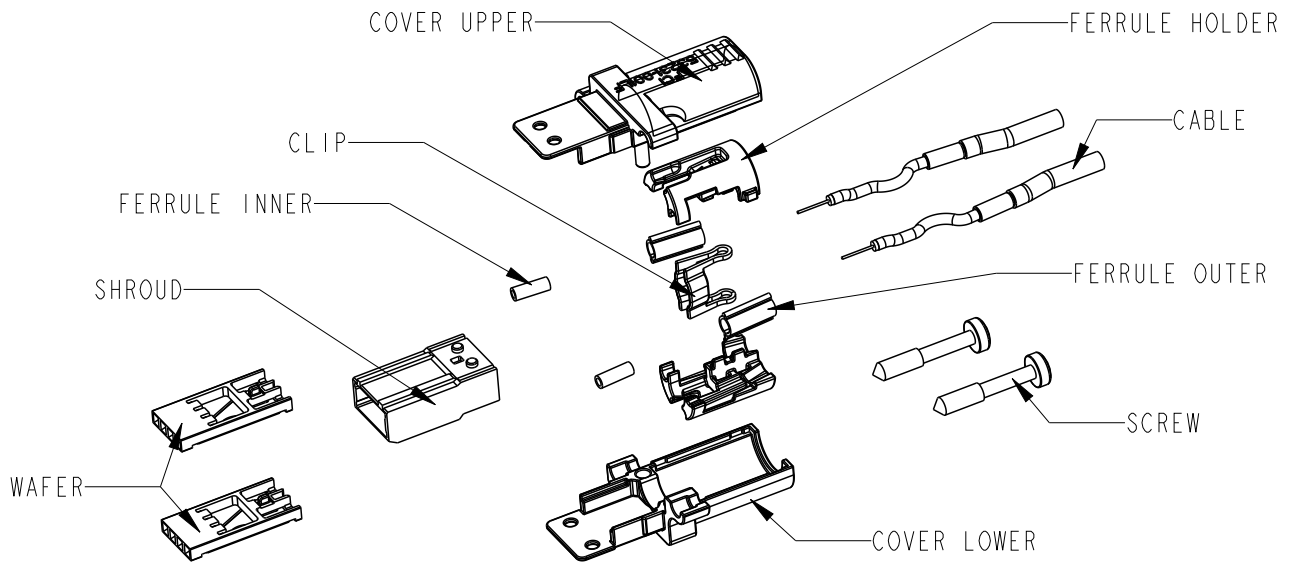
72862-X01LF	
72862-101LF	Standard Product
72862-201LF	Customer Special



dr	Marty Glass	2014/12/30	projection 	mm	size	A4	scale	1:1
eng	Marty Glass	2014/12/31			ecp no	-		
chr	-	-			product family	SOFIX	rel level	Released
appr	-	-						
	title		SHIELDED CABLE CONNECTOR		dwg no		72862	
			8 POS - SOLDER				rev	
							F	
www.fci.com	cat. no.		Product - Customer Drw			sheet 1 of 3		



Copyright FCI.



Copyright FCI.


spec ref		RELEASED							
tolerance std		TOLERANCES UNLESS OTHERWISE SPECIFIED							
ISO 406 ISO 1101									
surface $\sqrt{0.8}$ ISO 1302	linear	0.X	± 0.3						
		0.XX	± 0.10						
		0.XXX	± 0.050						
	angular	0°	$\pm 2^\circ$						
dr	Marty Glass	2014/12/30	projection 	mm \longleftrightarrow	size	A4	scale	1:1	
eng	Marty Glass	2014/12/31			ecn no	-			
chr	-	-			rel level	Released			
appr	-	-	product family	SOFIX					
	title	SHIELDED CABLE CONNECTOR			dwg no	72862		rev	F
		8 POS - SOLDER							
www.fci.com	cat. no.	Product - Customer Drw				sheet 2 of 3			

Print File - REV C - 2009-06-09

LEAD-FREE PRODUCTS:(see note 9)

Kit: 72862-X0ILF	
COMPONENTS	QTY
COVER UPPER	1
COVER LOWER	1
FERRULE OUTER	2
FERRULE INNER	1
SCREW	2
SHROUD	1
FERRULE HOLDER	1
WAFER	2
CLIP	1

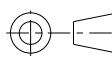
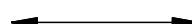



Dimension with oval around are critical dimensions including any attached geometrical tolerance. Other features or stand-alone geometrical tolerances being critical have a note "CRITICAL FEATURE" below the item
 A symbol  (x: drawing current revision) will be next to any dimension, view or note which has been modified with the current drawing revision



Copyright FCI.

spec ref	RELEASED		
tolerance std	TOLERANCES UNLESS OTHERWISE SPECIFIED		
ISO 406 ISO 1101			
surface $\sqrt{0.8}$ ISO 1302	linear	0.X	± 0.3
		0.XX	± 0.10
		0.XXX	± 0.050
	angular	0°	$\pm 2^\circ$

dr	Marty Glass	2014/12/30	projection 	mm 	size	A4	scale	1:1
eng	Marty Glass	2014/12/31			ecn no	-		
chr	-	-			product family	SOFIX	rel level	Released
appr	-	-						
	title	SHIELDED CABLE CONNECTOR		dwg no	72862		rev	F
www.fci.com	cat. no.	Product - Customer Drw			sheet 3 of 3			