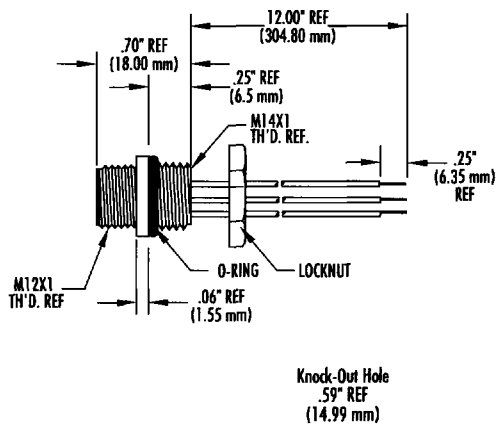


Micro-Change® Single and Reverse Keyway Receptacles

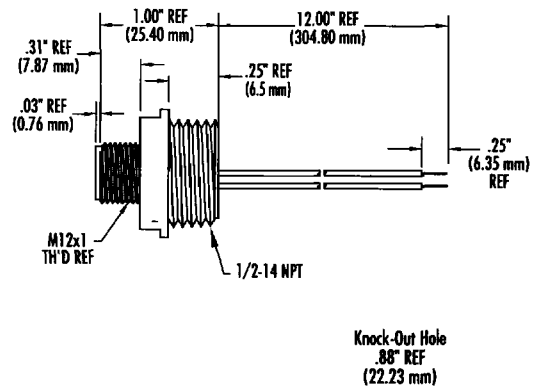
Product Specifications

<p>MECHANICAL</p> <p>INSERT MATERIAL: NYLON 6/6 SHELL MATERIAL: ANODIZED ALUMINUM CONTACT MATERIAL: COPPER ALLOY CONTACT PLATING: GOLD - 5µ. IN. (MIN) PALLADIUM/NICKEL - 20µ. IN. (MIN)</p> <p>WIRE TYPE(S): 22 AWG; PVC INSULATED WIRE STRANDING: 26 X #36 O-RING: NITRILE RUBBER LOCKNUT: STEEL</p> <p>ELECTRICAL</p> <p>VOLTAGE RATING: 3/4 POLE - 300VDC; 5 POLE - 30VDC AMPERAGE: 4A CONTACT RESISTANCE: ≤5mΩ, (AFTER 100 MATE/UNMATE CYCLES - PER MIL STD. 1344, 3004.1) ISOLATION RESISTANCE: ≥1000MΩ</p>	<p>ENVIRONMENTAL</p> <p>PROTECTION: IP 68, NEMA 6P - PER NEMA STD. 250 AMBIENT OPERATING TEMP: -20° TO +80°C HIGH PRESSURE WATER SPRAY: 1000 PSI</p> <p>CERTIFICATIONS</p> <p>UL: UL LISTED, FILE NO. E155210 (5P UL RECOGNIZED) CSA: CSA CERTIFIED, FILE NO. LR6837 VDE: SPACINGS TO VDE 0110 GROUP C (250VAC/300VDC) (3/4 POLE)</p>
-------------------------------------------------------------------------------------------------------------------------------------------------------------------------------------------------------------------------------------------------------------------------------------------------------------------------------------------------------------------------------------------------------------------------------------------------------------------------------------------------------------------------------------------------------------------------------------------------------------------------------------------------------------------	---------------------------------------------------------------------------------------------------------------------------------------------------------------------------------------------------------------------------------------------------------------------------------------------------------------------------------------------------------------------------------------------------------

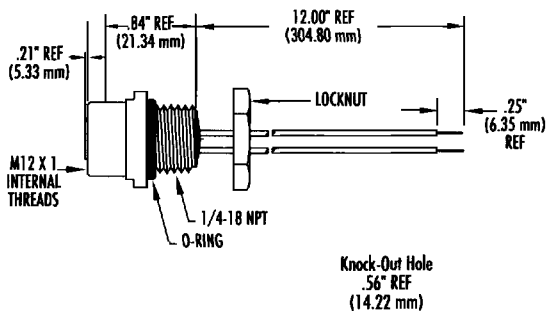
Single Keyway M14x1 Male Receptacle with External Threads



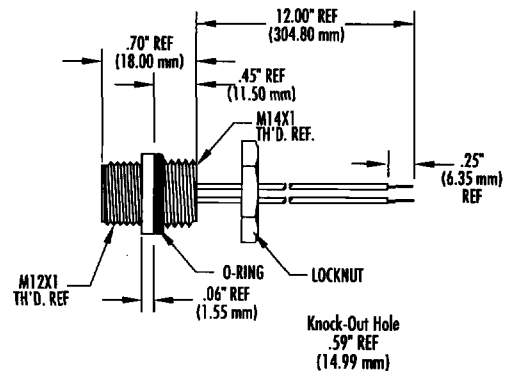
Single Keyway 1/2" NPT Male Receptacle with External Threads



Single Keyway 1/4" NPT Female Receptacle with Internal Threads



Reverse Keyway M14x1 Male Receptacle with External Threads





Micro-Change® Single and Reverse Keyway Receptacles

SINGLE KEYWAY

POLES	FACE VIEW MALE	WIRING CODE	RECEPTACLES WITH 12" LEADS		
			M14x1 MALE WITH EXTERNAL THREADS	1/2" NPT MALE WITH EXTERNAL THREADS	1/4" NPT FEMALE WITH INTERNAL THREADS
3		1-BROWN 2-NOT USED 3-BLUE 4-BLACK	8R3E06A18A120	8R3006A18A120	8R3A00A18A120
4		1-BROWN 2-WHITE 3-BLUE 4-BLACK	8R4E06A18A120	8R4006A18A120	8R4A00A18A120
5		1-BROWN 2-WHITE 3-BLUE 4-BLACK 5-GRAY	8R5E06A18A120	8R5006A18A120	8R5A00A18A120

REVERSE KEYWAY

POLES	FACE VIEW MALE	WIRING CODE	RECEPTACLES WITH 12" LEADS	
			M14x1 MALE WITH EXTERNAL THREADS	
3		1-BROWN 2-BLUE 3-NOT USED 4-GREEN/YELLOW		BR3E06A26A120
4		1-BROWN 2-BLUE 3-BLACK 4-GREEN/YELLOW		BR4E06A26A120