

INTRODUCTION:

Adam Tech RPN Relays are subminiature intermediate power relays that have 5 amp switching capability and are available in contact forms 1A and 1C. These Power relays are perfect for household appliances, UPS systems, sound equipment and many other automatic control circuit applications

FEATURES:

5 Amp Switching capability
Power consumption of 0.45 nominal
Sealed construction

SPECIFICATIONS:

Electrical:

Contact arrangement: 1 Form A, 1 Form C
Contact material: Silver Alloy
Contact Rating (Resistive load): 5 @ 250V AC / 30VDC
Max. Switching Voltage: 250VA / 30VDC
Max. Switching Power: 1250VA / 150W
Contact resistance: 100 mΩ max. Initial
Insulation resistance: 1000 MΩ min.
Dielectric withstanding voltage:
Between Coil & Contact: 3000V AC 50/60Hz for 1 min.
Between Contacts: 750V AC 50/60Hz for 1 min.
Operating time: 10 ms max.
Release time: 5 ms max.
Electrical Life: 100,000 Operations (at rated load)

Mechanical:

Vibration resistance (Endurance): 1.5mm Double Amplitude 10-55Hz
Shock resistance: 1000 m/s²
Mechanical Life: 100,000,000 Operations (no load)

Temperature Rating:

Ambient temperature: -40°C to +85°C

PACKAGING:

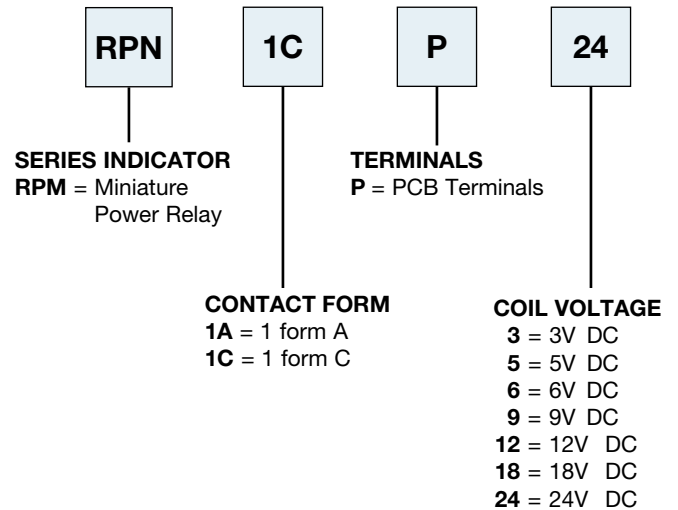
Anti-ESD plastic trays or tubes

SAFETY AGENCY APPROVALS:

UL Recognized & CSA Certified, File no. E305638



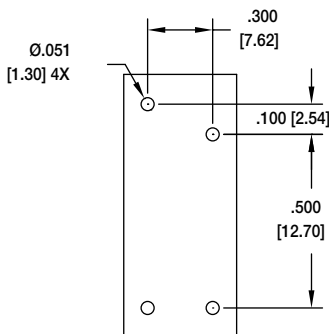
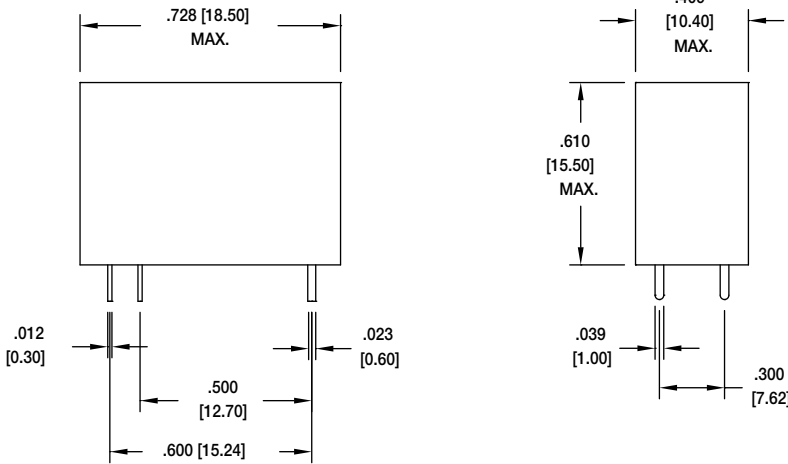
ORDERING INFORMATION



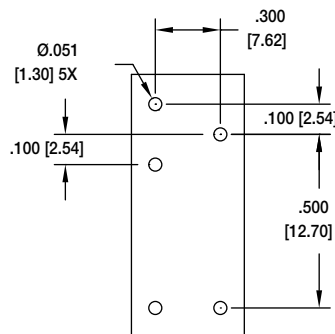
RPN SERIES



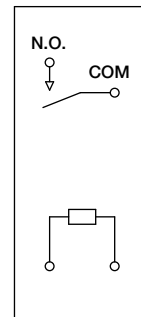
RPN-1A-P-12



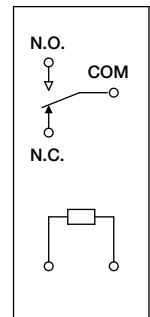
**Recommended
PCB Layout
1 Form A**



**Recommended
PCB Layout
1 Form C**



**Schematic
1 Form A**



**Schematic
1 Form C**

Nominal Voltage V DC	Pick-up Voltage V DC (max.)	Drop-out Voltage V DC (min.)	Max Allowable Voltage V DC (85°)	Coil Resistance Ω (±10%)	Max Switching Power 1250VA/30V DC
3	2.3	0.15	3.9	13	
5	3.8	0.25	6.5	35	
6	4.5	0.30	7.8	50	
9	6.8	0.45	11.7	113	
12	9.0	0.60	15.6	200	
18	13.5	0.90	23.4	450	
24	18.0	1.20	31.2	800	