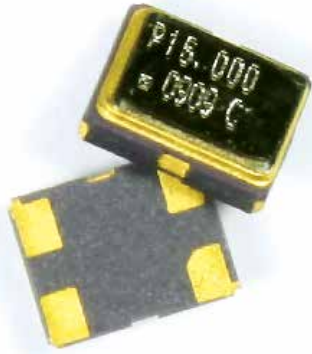


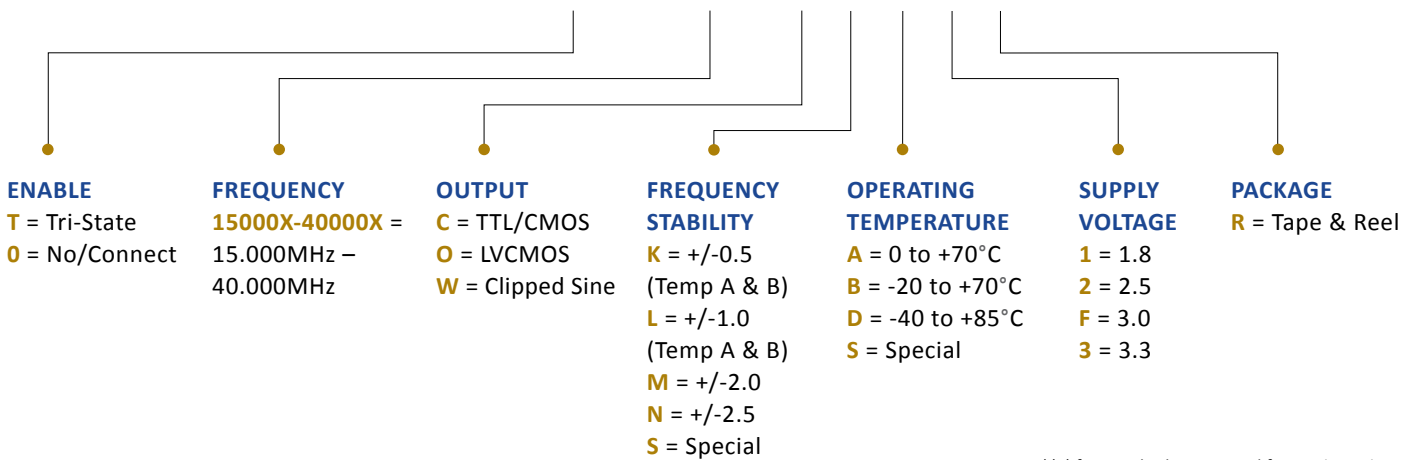
TC03-Series Specifications



3.20L x 2.50W x 1.00H (mm)

PDI *TC03-Series* Temperature Compensated Crystal Oscillator (TCXO) ensures a precise frequency under demanding circumstances. With ultra-low phase noise, low jitter, and excellent performance in high vibration environments this TCXO available, in both standard and custom frequencies. PDI provides fast sampling for your proto-typing needs, mass production capability, and competitive pricing.

ex) **TC-T-3-25000X-C-N-D-2-R-X***



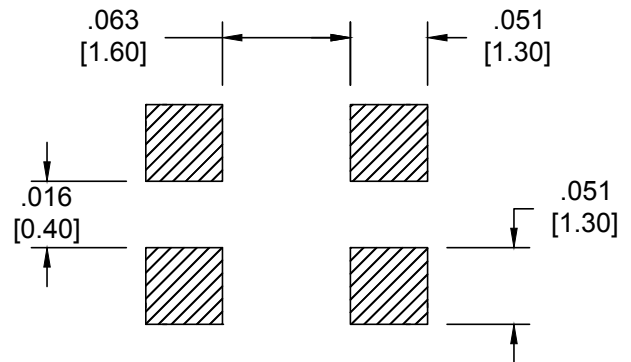
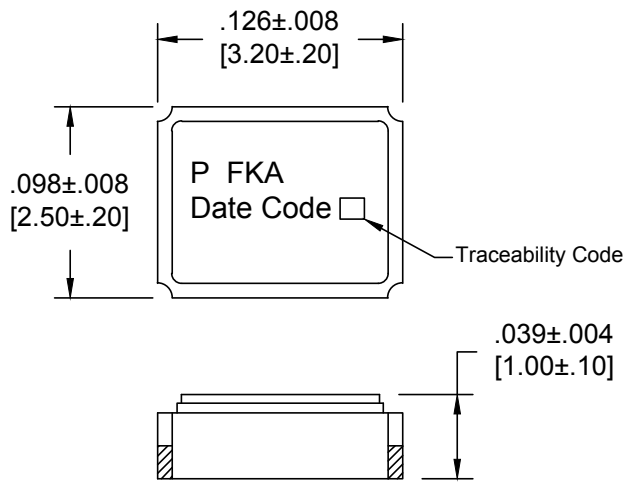
*(X) for standard or assigned for customization.

Parameter		Supply Voltage Range (±5%)	Units
		1.8 to 3.3	V
Frequency Range		15.000000 to 40.000000	MHz
Frequency Stability	vs Temperature (Max.)	±0.5 to ±2.5*1	ppm
	vs Supply Voltage (Max. for a 5% change)	±0.2	
	vs Load (Max. for a 10% change)	±0.2	
	vs Aging (Max. per year)	±1	
	Calibration (@ +25°C) 1 Hour After Reflow (Max.)	±2	
Temperature Range	Operating	Per Option	°C
	Storage	-55 to +125	
Supply Current (Maximum)	15.00000 to 25.999999 MHz	2.0	mA
	26.000000 to 40.999999 MHz	2.5	
Waveform		Clipped Sinewave	
Output (Minimum)	Peak to Peak	0.8	V
Load (±10%)		10 kΩ//10pF	
Start Up Time (Maximum)		2	ms
Phase Noise (Typical) (For 19.2 MHz)	@ 100 Hz	-115	dBc/Hz
	@ 1 kHz	-135	
	@ 10 kHz	-148	

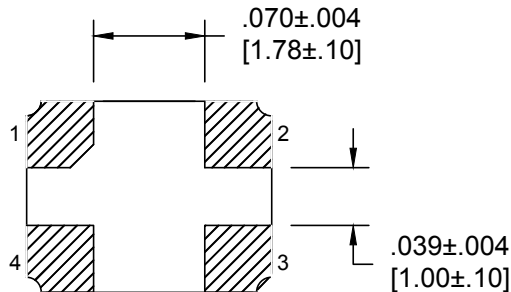
TC03-Series 3.20 x 2.50 x 1.00 (mm)

PDI TC03-Series Temperature Compensated Crystal Oscillator (TCXO) ensures a precise frequency under demanding circumstances. With ultra-low phase noise, low jitter, and excellent performance in high vibration environments this TCXO available, in both standard and custom frequencies. PDI provides fast sampling for your proto-typing needs, mass production capability, and competitive pricing.

PIN	CONNECTION
1	Tri-State
	No Connect
2	Ground/Case
3	Output
4	Supply Voltage



Recommended Land Pattern



- *1 Dependant on Operating Temperature Range.
- *2 Over voltage control range applied to Pin 1.
- *3 Increasing control voltage increases output frequency.

NOTES:
 Terminals are Au.
 Other options are available, please consult factory.
 All product is supplied RoHS and REACH compliant.
 Product can be supplied on Tape and Reel, on reels of 1,000 units.
 Not all Frequency/Temperature combinations are available.
 Decimal XXX = ± .008, XX = ± .020 Metric [XXX = ± .20], [XX = ± .50]
 Specifications subject to change without notice, last updated 4/1/13.

TC03-Series 3.20 x 2.50 x 1.00 (mm)

1. Material: Black Conductive Polystyrene or equivalent.
2. 10 Sprocket Hole pitch cumulative tolerance of ± 0.008 .
3. Camber in compliance with EIA 481.
4. Empty pockets: Trailing end (Minimum) 200 mm. and Leading end (Minimum) 400 mm.
5. Pocket position relative to sprocket hole measured as true position of pocket, not pocket hole.

