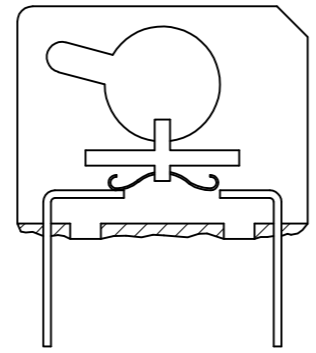
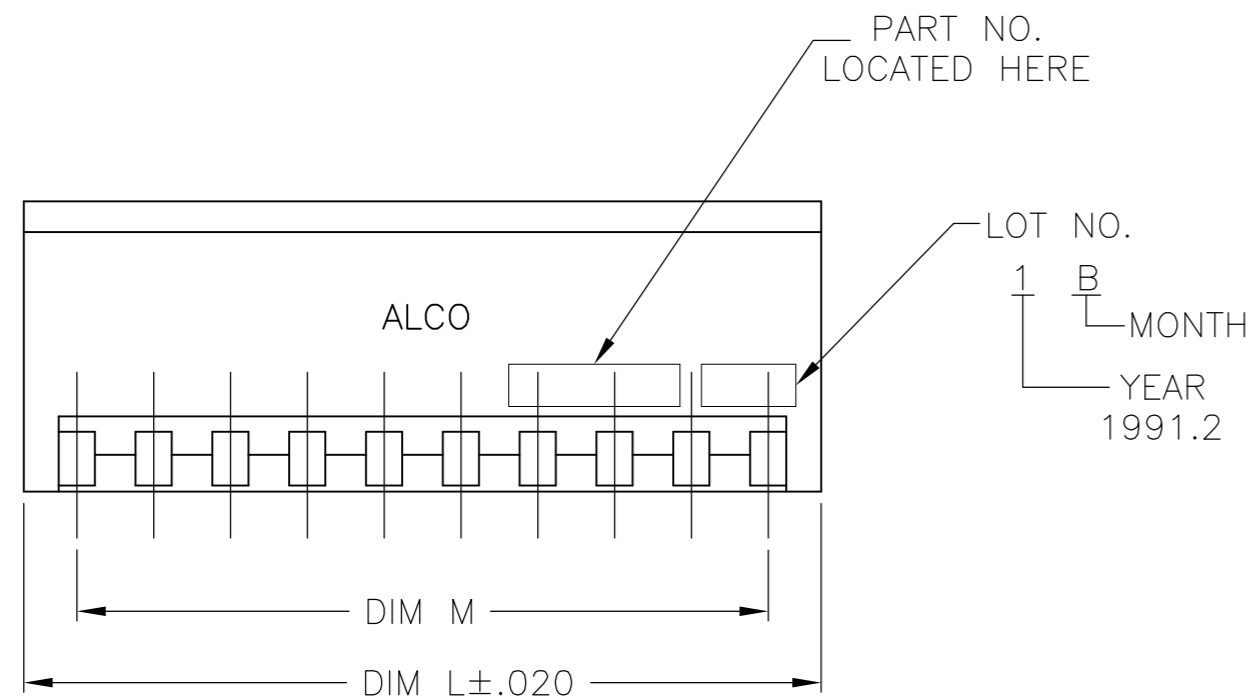
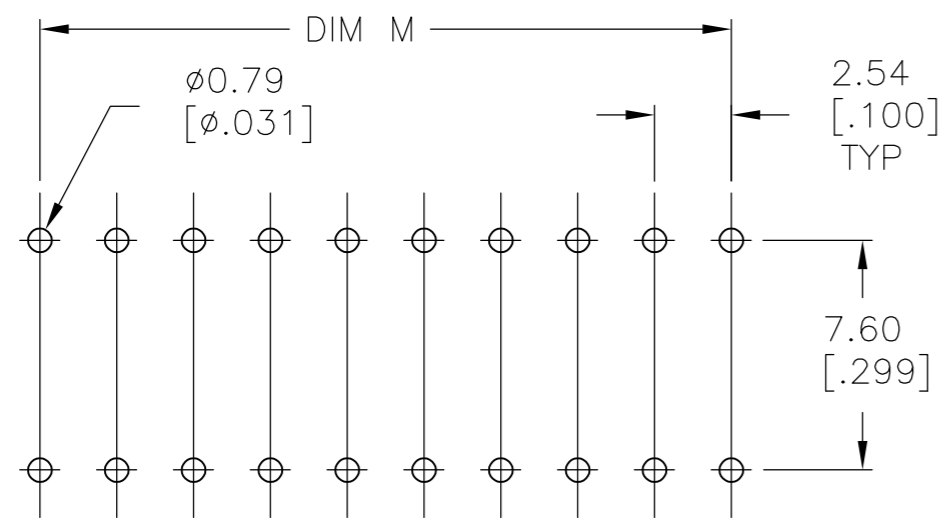
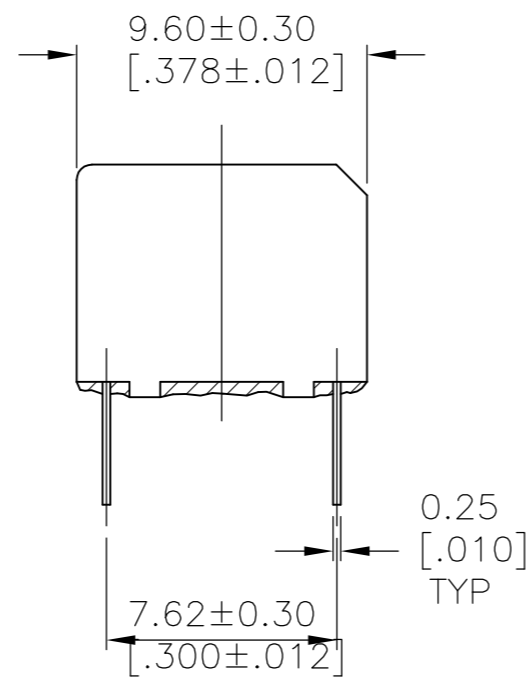
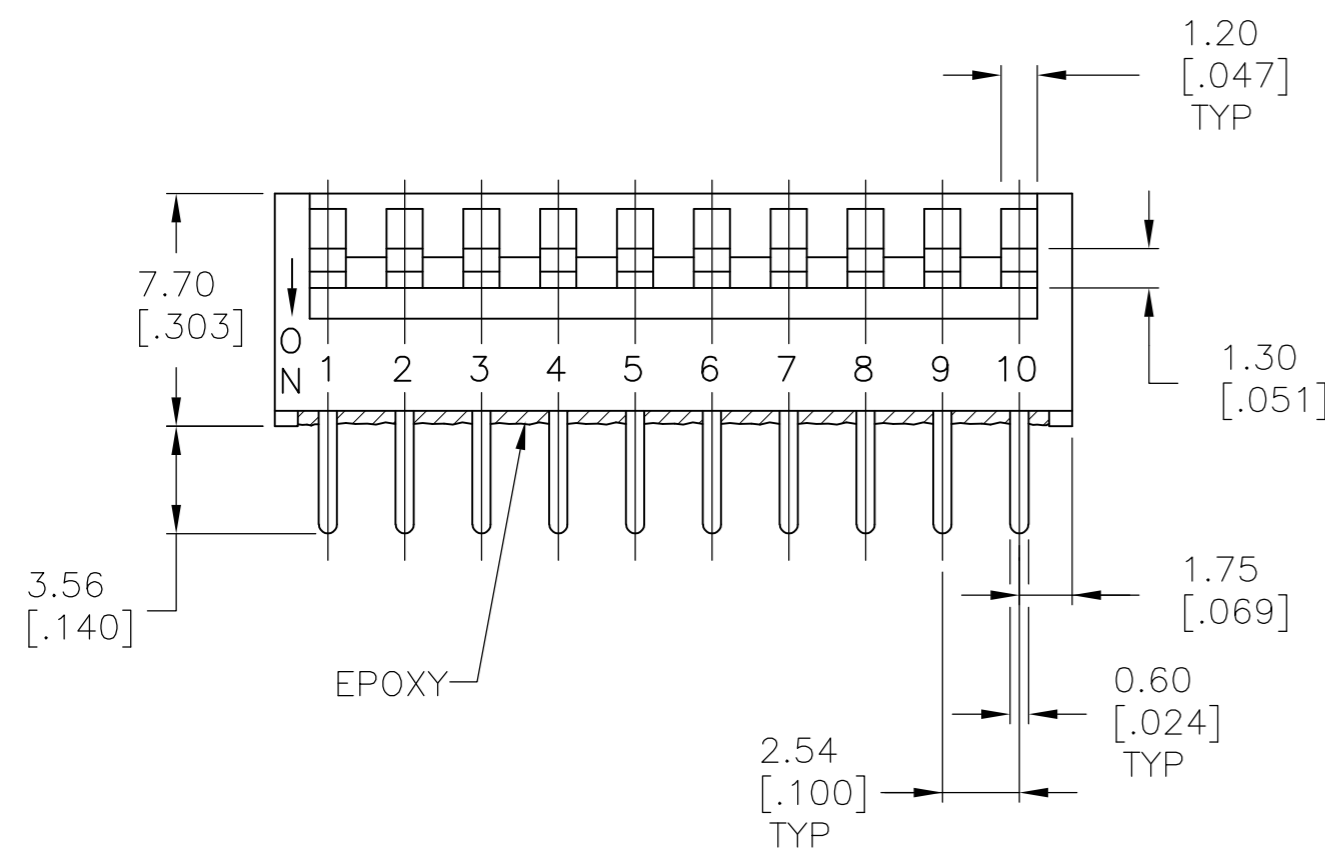


LOC		DIST		REVISIONS			
P	LTR	DESCRIPTION		DATE	DWN	APVD	
AD	00	A3	REVISED PER ECO-09-011017		08MAY09	HMR	MW



CROSS SECTION



RECOMMENDED BOARD LAYOUT

THRU HOLE VERSION

**SPECIFICATIONS:**

**MATERIALS:**

CASE: PPS, UL94V0-BLACK  
 COVER: PPS, UL94V0-BLACK  
 ACTUATOR: LCP, UL94V0-WHITE  
 CONTACTS AND TERMINALS: COPPER ALLOY, GOLD OVER NICKEL  
 TAPE SEAL: POLYIMIDE FILM

**ELECTRICAL:**

CONTACT RATING: NON-SWITCHING: 100MA @ 50VDC  
 SWITCHING: 25MA 24VDC  
 INITIAL CONTACT RESISTANCE: 100 MILLIOHMS MAX. @ 2VDC, 10MA  
 INSULATION RESISTANCE: 100 MEGOHMS MIN. @ 100VDC  
 DIELECTRIC STRENGTH: 300VAC FOR 1 MINUTE  
 LIFE EXPECTANCY: 1000 CYCLES

**MECHANICAL:**

ACTUATION FORCE: 600 GRAMS MAX

**ENVIRONMENTAL:**

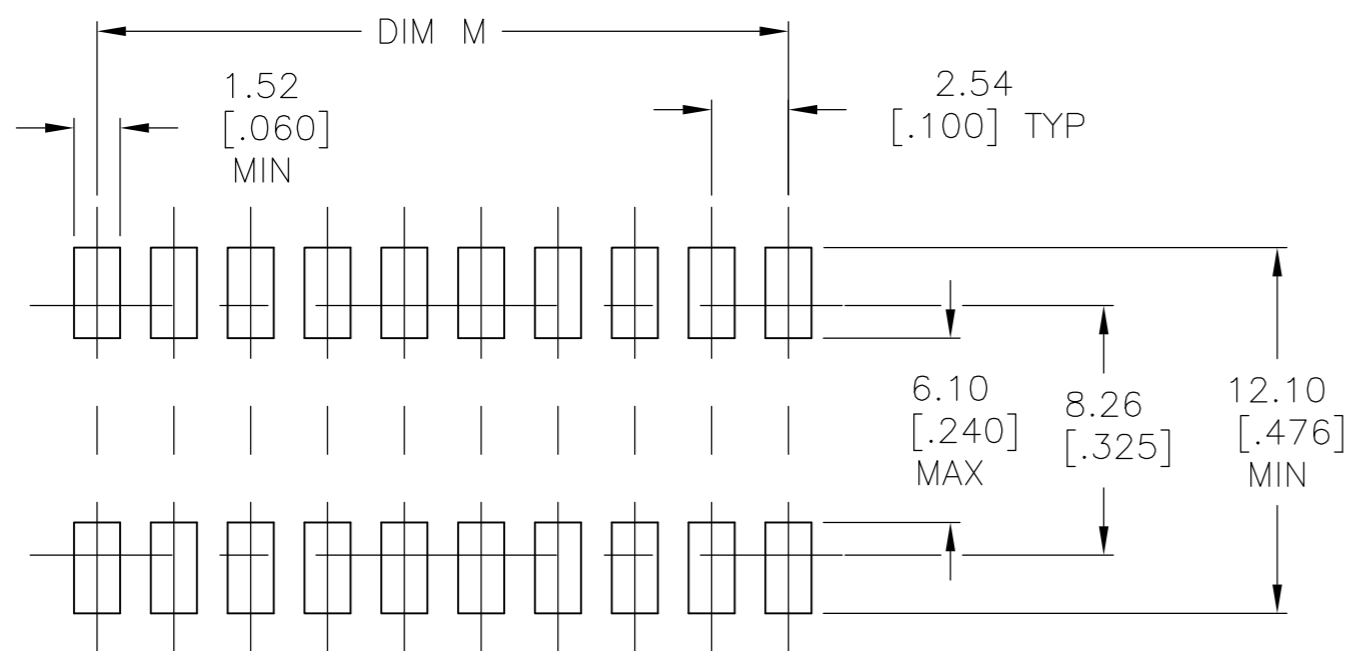
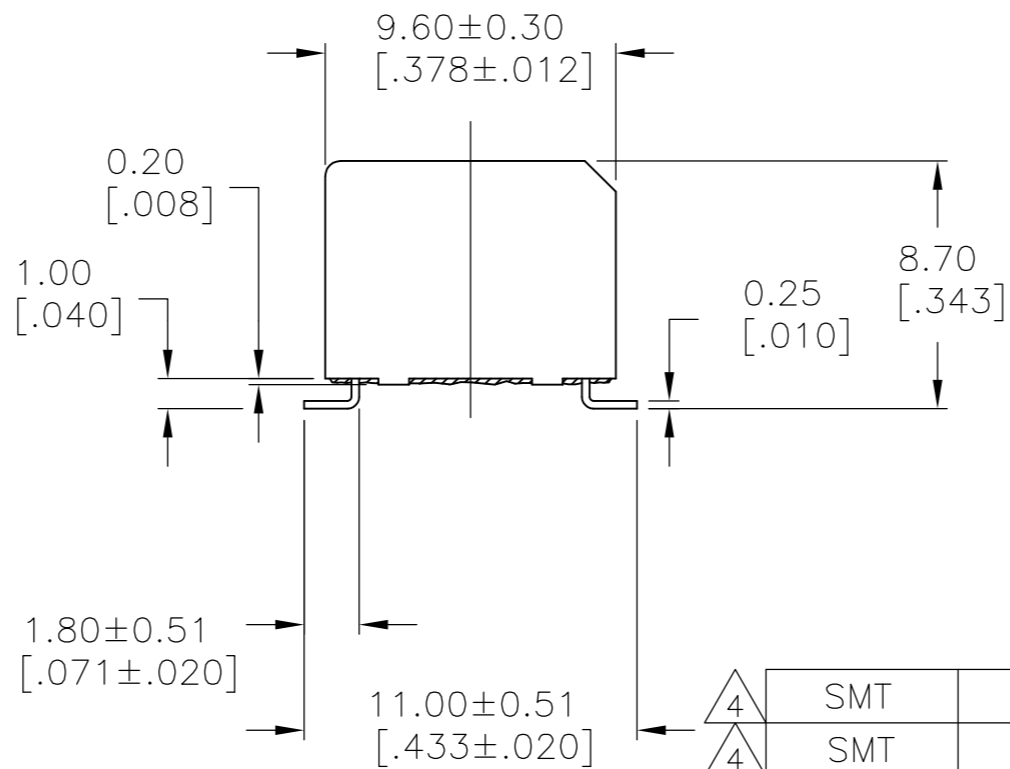
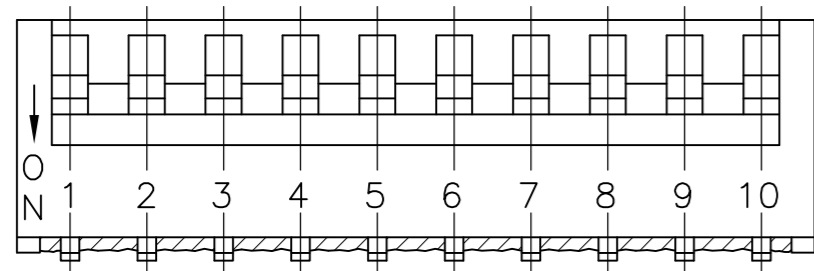
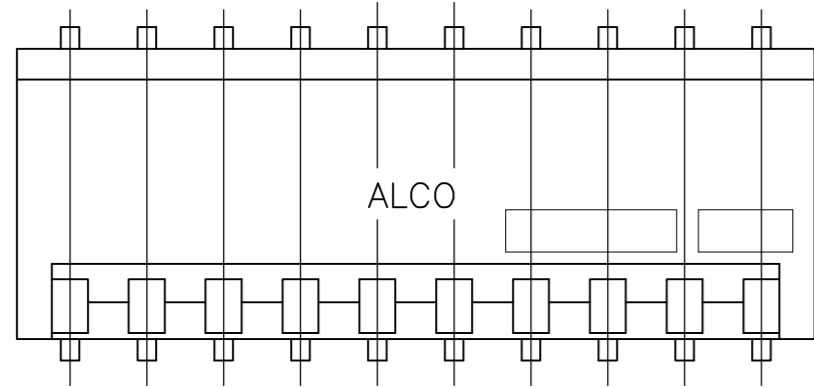
OPERATING TEMPERATURE: -30°C TO +85°C  
 STORAGE TEMPERATURE: -45°C TO +100°C  
 SOLDER HEAT RESISTANCE PER 109-202, CONDITION B (THRU-HOLE) OR 109-201, CONDITION B (SMT)  
 SOLDERABILITY PER JIS C 0500 & JIS C 0053

- FOR P/N TABLE & SURFACE MOUNT DETAILS SEE SHEET 2
- TAPE AND REEL PACKAGING PER EIA 481 - PART NO.S GDSXXSTR.
- ALL MATERIALS AND FINISHES SHALL COMPLY WITH EU DIRECTIVE 2002/95/EC OF 27JAN2003 (ROHS)
- SWITCH TO BE RECEIVED IN THE "ON" POSITION.

THIS DRAWING IS A CONTROLLED DOCUMENT.		DWN R BROWN 04JAN06	Tyco Electronics Corporation Harrisburg, Pa 17105-3608	
DIMENSIONS: mm [INCHES]		CHK M SARVER 04JAN06	NAME DIP SWITCH ASSEMBLY GDP SERIES	
TOLERANCES UNLESS OTHERWISE SPECIFIED:		APVD M SARVER 04JAN06	SIZE A2	CAGE CODE -
0 PLC ± -		PRODUCT SPEC	DRAWING NO C=1571998	RESTRICTED TO -
1 PLC ± -		APPLICATION SPEC	SCALE 4:1	SHEET 1 OF 2
2 PLC ± .030 (.012)		WEIGHT -	REV A3	
3 PLC ± -		CUSTOMER DRAWING		
4 PLC ± -				
ANGLES ± -				
FINISH -				

THIS DRAWING IS UNPUBLISHED. RELEASED FOR PUBLICATION 1571998, 1571998  
 © COPYRIGHT 1571998 BY TYCO ELECTRONICS CORPORATION. ALL INTERNATIONAL RIGHTS RESERVED.

LOC	DIST	REVISIONS					
AD	00	P	LTR	DESCRIPTION	DATE	DWN	APVD
		-		SEE SHEET 1		-	-



RECOMMENDED BOARD LAYOUT  
 BOARD LAYOUT TOLERANCE  
 ±.002 FOR ALL DIMENSIONS

SURFACE MOUNT VERSION

4	SMT	TAPE	7.62 [.300]	11.13 [.438]	4	GDP04STRON04	2-1571998-2
4	SMT	TAPE	17.78 [.700]	21.29 [.838]	8	GDP08STRON04	2-1571998-1
	SMT	TAPE	22.86 [.900]	26.37 [1.038]	10	GDP10STR04	2-1571998-0
	SMT	TAPE	22.86 [.900]	26.37 [1.038]	10	GDP10S04	1-1571998-9
	T/H	NONE	22.86 [.900]	26.37 [1.038]	10	GDP10NTS04	1-1571998-8
	T/H	TAPE	22.86 [.900]	26.37 [1.038]	10	GDP1004	1-1571998-7
	SMT	TAPE	17.78 [.700]	21.29 [.838]	8	GDP08STR04	1-1571998-6
	SMT	TAPE	17.78 [.700]	21.29 [.838]	8	GDP08S04	1-1571998-5
	T/H	NONE	17.78 [.700]	21.29 [.838]	8	GDP08NTS04	1-1571998-4
	T/H	TAPE	17.78 [.700]	21.29 [.838]	8	GDP0804	1-1571998-3
	SMT	TAPE	12.70 [.500]	16.21 [.638]	6	GDP06STR04	1-1571998-2
	SMT	TAPE	12.70 [.500]	16.21 [.638]	6	GDP06S04	1-1571998-1
	T/H	NONE	12.70 [.500]	16.21 [.638]	6	GDP06NTS04	1-1571998-0
	T/H	TAPE	12.70 [.500]	16.21 [.638]	6	GDP0604	1571998-9
	SMT	TAPE	7.62 [.300]	11.13 [.438]	4	GDP04STR04	1571998-8
	SMT	TAPE	7.62 [.300]	11.13 [.438]	4	GDP04S04	1571998-7
	T/H	NONE	7.62 [.300]	11.13 [.438]	4	GDP04NTS04	1571998-6
	T/H	TAPE	7.62 [.300]	11.13 [.438]	4	GDP0404	1571998-5
	SMT	TAPE	2.54 [.100]	6.05 [.238]	2	GDP02STR04	1571998-4
	SMT	TAPE	2.54 [.100]	6.05 [.238]	2	GDP02S04	1571998-3
	T/H	NONE	2.54 [.100]	6.05 [.238]	2	GDP02NTS04	1571998-2
	T/H	TAPE	2.54 [.100]	6.05 [.238]	2	GDP0204	1571998-1
	MTG	SEAL	DIM M	DIM L	POLE	OLD T&B P/N	TE P/N

THIS DRAWING IS A CONTROLLED DOCUMENT.

DWN	R BROWN	04JAN06	Tyco Electronics Corporation Harrisburg, Pa 17105-3608	
CHK	M SARVER	04JAN06		
APVD	M SARVER	04JAN06		
PRODUCT SPEC				
APPLICATION SPEC			NAME	DIP SWITCH ASSEMBLY GDP SERIES
WEIGHT	-		SIZE	A2
CUSTOMER DRAWING			CAGE CODE	-
			DRAWING NO	C=1571998
			RESTRICTED TO	-
			SCALE	4:1
			SHEET	2 OF 2
			REV	A3