

# C085SFBH

---



SMA Female Bulkhead for 0.085 in CF085-50 cable

**OBSOLETE**

## Product Classification

**Product Type** Wireless and radiating connector

## General Specifications

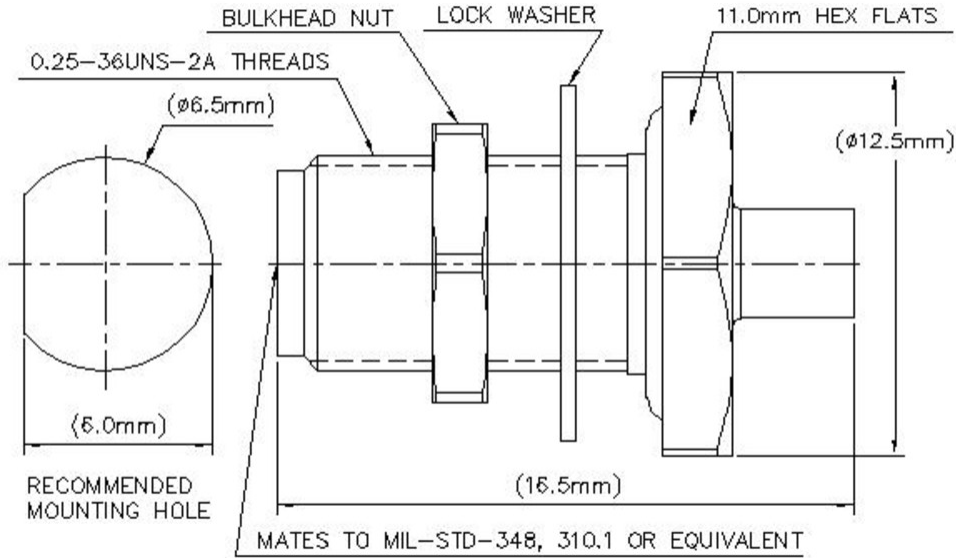
<b>Body Style</b>	Bulkhead
<b>Cable Family</b>	CF085-50
<b>Inner Contact Attachment Method</b>	Solder
<b>Inner Contact Plating</b>	Gold
<b>Interface</b>	SMA Female
<b>Mounting Angle</b>	Straight
<b>Outer Contact Attachment Method</b>	Solder
<b>Outer Contact Plating</b>	Trimetal
<b>Pressurizable</b>	No

## Dimensions

<b>Height</b>	12.45 mm   0.49 in
<b>Width</b>	12.45 mm   0.49 in
<b>Length</b>	16.51 mm   0.65 in
<b>Diameter</b>	12.45 mm   0.49 in

## Outline Drawing

# C085SFBH



## Electrical Specifications

<b>Average Power at Frequency</b>	0.2 kW @ 900 MHz
<b>Cable Impedance</b>	50 ohm
<b>Connector Impedance</b>	50 ohm
<b>dc Test Voltage</b>	1000 V
<b>Inner Contact Resistance, maximum</b>	3 mOhm
<b>Insulation Resistance, minimum</b>	5000 MOhm
<b>Operating Frequency Band</b>	0 – 6000 MHz
<b>Outer Contact Resistance, maximum</b>	2.5 mOhm
<b>Peak Power, maximum</b>	0.21 kW
<b>RF Operating Voltage, maximum (vrms)</b>	500 V
<b>Shielding Effectiveness</b>	-100 dB

## VSWR/Return Loss

Frequency Band	VSWR	Return Loss (dB)
<b>824–2700 MHz</b>	1.06	32
<b>3000–6000 MHz</b>	1.06	31

## Mechanical Specifications

<b>Insertion Force</b>	97.86 N   22 lbf
------------------------	------------------

# C085SFBH

---

<b>Insertion Force Method</b>	IEC 61169-16:9.3.5
<b>Interface Durability</b>	500 cycles
<b>Interface Durability Method</b>	IEC 61169-4:17
<b>Mechanical Shock Test Method</b>	IEC 60068-2-27

## Environmental Specifications

<b>Operating Temperature</b>	-55 °C to +85 °C (-67 °F to +185 °F)
<b>Storage Temperature</b>	-65 °C to +125 °C (-85 °F to +257 °F)
<b>Attenuation, Ambient Temperature</b>	20 °C   68 °F
<b>Average Power, Ambient Temperature</b>	40 °C   104 °F
<b>Average Power, Inner Conductor Temperature</b>	100 °C   212 °F
<b>Corrosion Test Method</b>	IEC 60068-2-11
<b>Immersion Depth</b>	1 m
<b>Immersion Test Mating</b>	Mated
<b>Immersion Test Method</b>	IEC 60529:2001, IP68
<b>Moisture Resistance Test Method</b>	IEC 60068-2-3
<b>Thermal Shock Test Method</b>	IEC 60068-2-14
<b>Vibration Test Method</b>	IEC 60068-2-6

## Packaging and Weights

<b>Weight, net</b>	8 g   0.018 lb
--------------------	----------------

## Regulatory Compliance/Certifications

<b>Agency</b>	<b>Classification</b>
ISO 9001:2015	Designed, manufactured and/or distributed under this quality management system



## \* Footnotes

<b>Immersion Depth</b>	Immersion at specified depth for 24 hours
------------------------	---